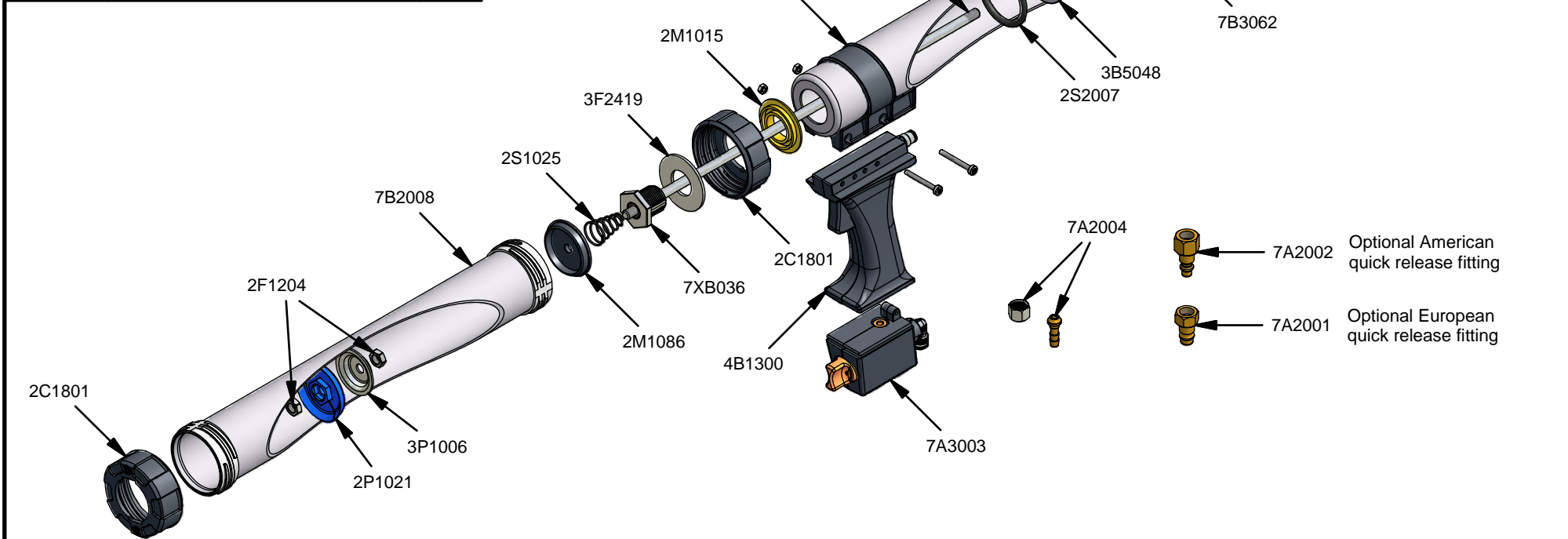


Parts List			Parts List		
STOCK No	DESCRIPTION	QTY	STOCK No	DESCRIPTION	QTY
2C1801	Cap Plastic 2 Start	2	7A2004	Standard Nut & Tail Connection	1
2F1204	M8 Lock Nut	2	7A3003	Series 2 Regulator Assembly	1
2M1015	Yellow Plastic Washer	1	7A3101	Silencer Assembly	1
2M1086	Cartridge Locator	1	7B2008	Barrel 375mm	1
2M2044	Dump Valve Body	1	7B3062	Rear Barrel 423mm	1
2P1021	Split Sachet Plunger	1	7R1120	Rod 267mm	1
2P1026	Series 2 Piston Body	1	7XB036	Hexagonal Zinc Barrel Screw (Bushed)	1
2S1025	Cartridge Locator Spring	1	7XS008	Series 2 Barrel Strap Assembly (including screws/nuts)	1
2S2007	O Ring	2			
2S2144	U Type Seal	1			
2S2150	Dump Valve Diaphragm	1			
3B5048	Bulkhead	1			
3F2419	Steel Washer	1			
3F3005	Cord Retainer Pin	1			
3P1006	Steel 40mm 'Tin Hat' Plunger	1			
4B1300	Series 2 Air Gun Butt Assembly	1			
7A2001	European Quick Release Fitting Assembly	1			
7A2002	US Quick Release Fitting Assembly	1			



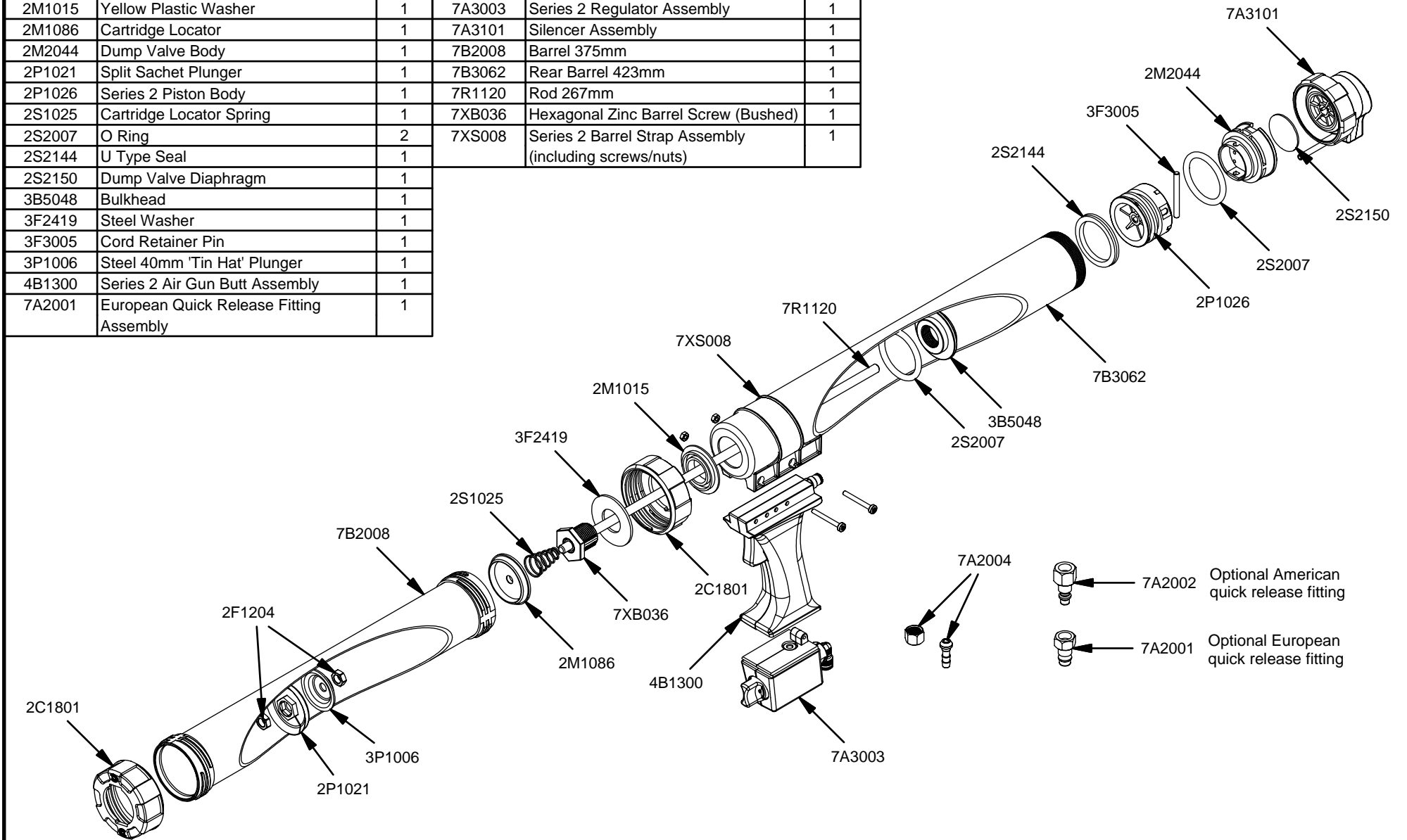
Airflow II Combi 600



www.pccox.co.uk
 sales@pccox.co.uk
 TEL:44(0)1635 264500

REV	DATE
I	08/09/2006

Parts List			Parts List		
STOCK No	DESCRIPTION	QTY	STOCK No	DESCRIPTION	QTY
2C1801	Cap Plastic 2 Start	2	7A2002	US Quick Release Fitting Assembly	1
2F1204	M8 Lock Nut	2	7A2004	Standard Nut & Tail Connection	1
2M1015	Yellow Plastic Washer	1	7A3003	Series 2 Regulator Assembly	1
2M1086	Cartridge Locator	1	7A3101	Silencer Assembly	1
2M2044	Dump Valve Body	1	7B2008	Barrel 375mm	1
2P1021	Split Sachet Plunger	1	7B3062	Rear Barrel 423mm	1
2P1026	Series 2 Piston Body	1	7R1120	Rod 267mm	1
2S1025	Cartridge Locator Spring	1	7XB036	Hexagonal Zinc Barrel Screw (Bushed)	1
2S2007	O Ring	2	7XS008	Series 2 Barrel Strap Assembly (including screws/nuts)	1
2S2144	U Type Seal	1			
2S2150	Dump Valve Diaphragm	1			
3B5048	Bulkhead	1			
3F2419	Steel Washer	1			
3F3005	Cord Retainer Pin	1			
3P1006	Steel 40mm 'Tin Hat' Plunger	1			
4B1300	Series 2 Air Gun Butt Assembly	1			
7A2001	European Quick Release Fitting Assembly	1			



Airflow II Combi 600



www.pccox.co.uk
 sales@pccox.co.uk
 TEL:44(0)1635 264500

REV

DATE

I

08/09/2006