

Ultraflow[™] COMBI 400ml

A single component manual bead applicator for cartridges & sachets



Anodised aluminium barrel that copes easily with high forces and rotates for manoeuvring into tight spaces.

Metal wear compensation sleeve that protects the catch plate contact area, to increase tool life.



Powerful 25:1 trigger ratio for easy application.

PRODUCT FEATURES:

- Heavy duty cast aluminium handle, ergonomically formed and designed to accommodate high load requirements with ease.
- Anodised aluminium barrel copes easily with high forces, and rotates for manoeuvring into tight spaces.
- Large sintered metal catchplate which offers high load resistance.
- Through hardened rod increases resistance to bending and reduces scoring by the bigger catch plate.
- Metal wear compensation sleeve protects the catch plate contact area, to increase tool life.
- Hardened rod release plate maintains high material output for the life of the tool.
- Plated metal parts increase corrosion resistance.
- Optional curved rod end creates convenient tool support and storage device.
- Exceptional build quality makes this the ultimate high power manual gun (high service life expectation).
- This versatile tool is easy to use, with low and medium viscosity materials, as well as high viscosity types.

The **Cox Ultraflow** is part of a range of high-powered manual applicators. Designed for use with high viscosity sealants and adhesives, the Ultraflow Combi is ideal for highend and specialist users.

For more information call +44(0)1635 264500
Or visit www.pccox.co.uk



The original

TECHNICAL DATASHEET

Ultraflow™ COMBI 400ml

A single component manual bead applicator for cartridges & sachets



APPLICATIONS:

- For high viscosity
- Cartridge/sachet: 1-component
- Cartridge volumes: 310ml & 400ml
- Sachet volumes: 310ml & 400ml

SPECIFICATIONS:

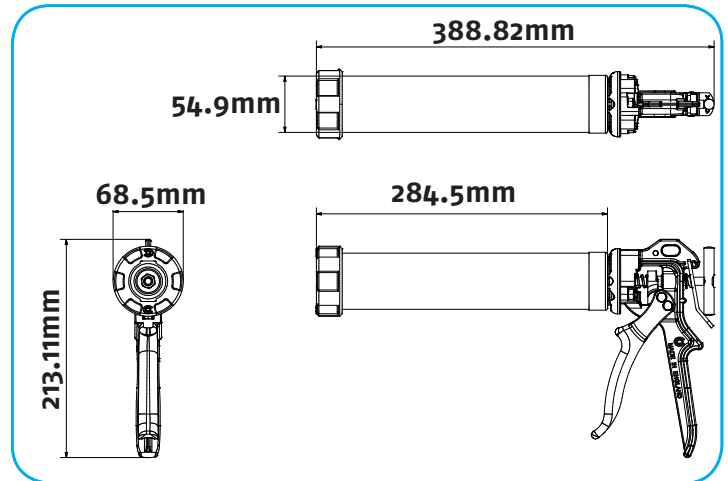
- Mechanical Advantage (ratio): 25:1
- Barrel Length: 284.5mm
- Max Force (Plunger): 4.5kN
- Tool Weight: 1.06 kg
- Tool Material: Epoxy coated aluminium, anodised aluminium barrel
- Certificates: ISO, REACH
- Packaging Options: single or 5/10 per box

WEB LINKS:

- Images www.pccox.co.uk/en/powerflow
- Academy video www.pccox.co.uk/en/cox-academy
- Spare parts diagram www.pccox.co.uk/en/exploded-diagrams

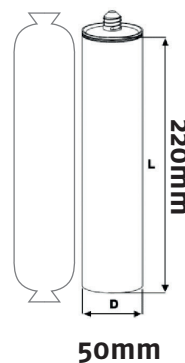
OTHER MODELS AVAILABLE:

- Ultraflow Cartridge
- Ultraflow Bulk
- Ultraflow Coaxial

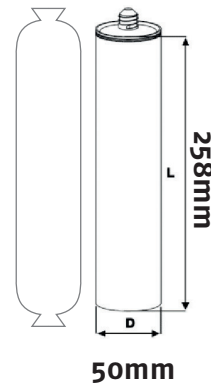


CARTRIDGES/SACHETS:

310ml:



400ml:



PRODUCT RANGE BY POWER:



PC Cox Ltd., Turnpike Road, Newbury, Berkshire, RG14 2LR
 T Sales +44 (0) 1635 264500 F +44 (0) 1635 264555
 E sales@pccox.co.uk
 www.pccox.co.uk

PC Cox
 The original



©PC Cox Ltd. 2014. Cox is a trademark of PC Cox Ltd. Every effort has been made to ensure that the information contained in this leaflet was correct at the time of going to press. However, the company retains the right to change any specification without notice, in line with the company's policy of continual product development.