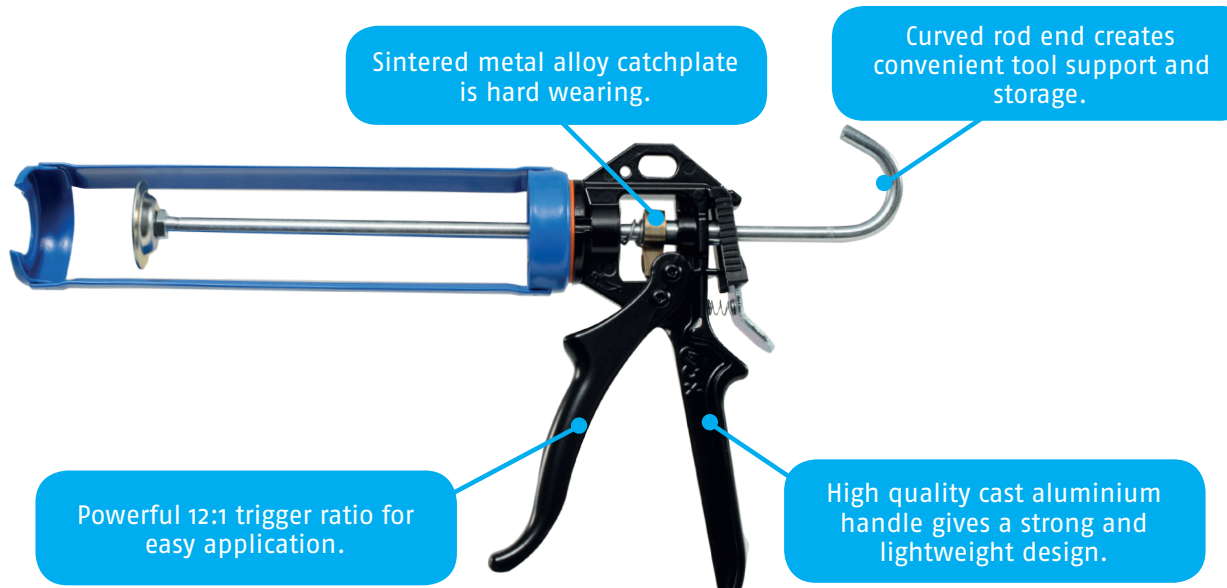


Powerflow[™]

CARTRIDGE 400ml

A single component manual bead applicator for cartridges



PRODUCT FEATURES:

- High quality cast aluminium handle makes it strong and lightweight.
- Easy to manoeuvre in tight spaces.
- Sintered metal alloy catchplate is hard wearing.
- Surface hardened rod resists scoring by the sintered metal catchplate.
- Metal wear compensation sleeve protects the catch plate contact area to increase tool life.
- Hardened rod release plate maintains high material output for the life of the tool.
- Plated metal components increase the resistance to part corrosion.
- Curved rod end creates convenient tool support and storage.
- Superb build quality means tools are designed with the professional in mind and have a high service life.
- Powerful 12:1 trigger ratio for easy application.
- Contoured handle and trigger grip for easy use.

The **Cox Powerflow** is part of a range of high-powered manual applicators. Designed for use with low to medium viscosity sealants and adhesives, the Powerflow Cartridge is ideal for professional users.

For more information call +44(0)1635 264500
Or visit www.pccox.co.uk



The original

TECHNICAL DATASHEET

Powerflow™ CARTRIDGE 400ml



A single component manual bead applicator for cartridges

APPLICATIONS:

- For low to medium viscosity
- Cartridge: 1-component
- Cartridge volumes: 310ml & 400ml

SPECIFICATIONS:

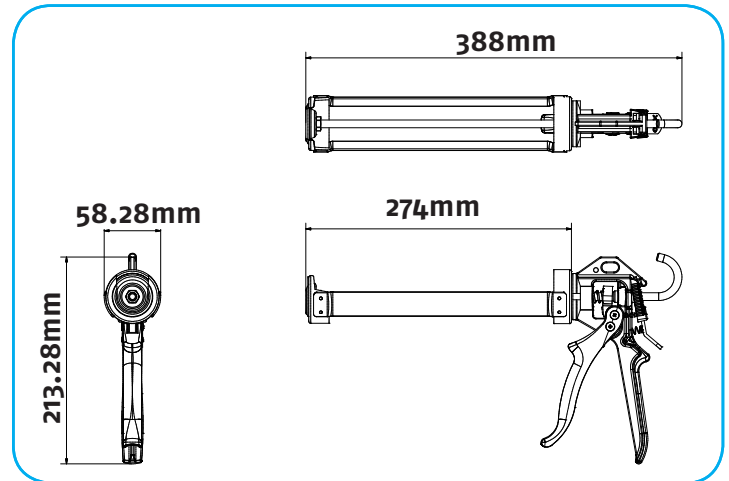
- Mechanical Advantage (ratio): 12:1
- Barrel Length: 274mm
- Max Force (Plunger): 2.5kN
- Tool Weight: 0.79 kg
- Handle Material: Epoxy coated cast aluminium
- Frame Material: Epoxy coated steel
- Certificates: ISO, REACH
- Packaging Options: single or 5/6/10/12/15 per box

WEB LINKS:

- Images www.pccox.co.uk/en/powerflow
- Academy video www.pccox.co.uk/en/cox-academy
- Spare parts diagram www.pccox.co.uk/en/exploded-diagrams

OTHER MODELS AVAILABLE:

- Powerflow Combi
- Powerflow Bulk
- Powerflow 1ltr
- Powerflow Quart
- Powerflow HP (higher power)

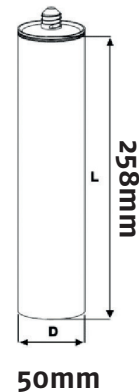


CARTRIDGES:

310ml:



400ml:



PRODUCT RANGE BY POWER:



PC Cox Ltd., Turnpike Road, Newbury, Berkshire, RG14 2LR
 T Sales +44 (0) 1635 264500 F +44 (0) 1635 264555
 E sales@pccox.co.uk
 www.pccox.co.uk



©PC Cox Ltd. 2015 Cox is a trademark of PC Cox Ltd. Every effort has been made to ensure that the information contained in this leaflet was correct at the time of going to press. However, the company retains the right to change any specification without notice, in line with the company's policy of continual product development.