

# MK™ Dispensing Solutions



1-COMPONENT DISPENSERS



INDUSTRY



1-COMPONENT DISPENSERS

# MK™ SYSTEM OVERVIEW

The MK Manual Dispenser  
product ranges

Pages 6 to 33



The MK Pneumatic Dispenser  
product ranges

Pages 34 to 39

All of our MK™ dispensers may be recognized by their well-known unique and pleasing visual appearances.













Polyurethan  
Klebedich  
Polyurethan  
adhesive  
Endult etc  
collant  
Polyurethan  
AKD 476 K101

## 1-COMPONENT DISPENSERS

# PRODUCT RANGES








## SMART DISPENSING FOR ALL APPLICATIONS

	Name/ Description	Cartridge/ Sachet/Bulk	Cartridge / Sachet Capacity	Maximum Thrust	Mechanical Advantage Ratio	Material Viscosity	Pages
<b>Manual Dispensers</b>							
	H3 P	cartridge/sachet	310 mL / 400 mL	2.5 kN	18:1	medium	6–7
	H2 P	cartridge/sachet	310 mL / 400 mL / 600 mL	2.5 kN	18:1	medium	8–9
	H2	sachet/bulk	400 mL / 600 mL	2.5 kN	18:1	medium	10–11
	H3 PS	cartridge/sachet	310 mL / 400 mL	2.5 kN	18:1	medium	12–13
	H2 PS	cartridge/sachet	310 mL / 400 mL / 600 mL	2.5 kN	18:1	medium	14–15
	H3 PSA	cartridge/sachet	310 mL / 400 mL	2.5 kN	18:1	medium	16–17
	H2 PSA	cartridge/sachet	310 mL / 400 mL / 600 mL	2.5 kN	18:1	medium	18–19
	H40 PS	cartridge	310 mL	2.5 kN	18:1	medium	20–21
	H40 PSOE	cartridge	310 mL	2.5 kN	18:1	medium	22–23
	H40+	cartridge	310 mL	2.5 kN	18:1	medium	24–25

## 1-COMPONENT DISPENSERS

# PRODUCT RANGES

## SMART DISPENSING FOR ALL APPLICATIONS

	Name/ Description	Cartridge/ Sachet/Bulk	Cartridge / Sachet Capacity	Maximum Thrust	Mechanical Advantage Ratio	Material Viscosity	Pages
	H14 RS	cartridge	310 mL	1.5 kN	12:1	low/medium	26–27
	H1 X	cartridge	310 mL	1.25 kN	12:1	low/medium	28–29
	H245	cartridge	310 mL	5 kN	26:1	high	30–31
	H212 P	cartridge/sachet	310 mL / 400 mL / 600 mL	5 kN	26:1	high	32–33
<b>Pneumatic Dispensers</b>					<b>Pneumatic Pressure</b>		
	T16 X	cartridge	310 mL	1.3 kN	8 bar	low/medium	34–35
	T22 XP	sachet	400 mL / 600 mL	1.6 kN	8 bar	low/medium	36–37
	T20	sachet/bulk	400 mL / 600 mL	1.6 kN	8 bar	low/medium	38–39

# H3 P

## 310/400 ML CARTRIDGE & SACHET DISPENSER

Aluminum barrel housing  
for both sachets and cartridges



Durable aluminum handle

Anti-drip and trigger  
integrated brake release

Model shown: H3 P

### FEATURES

- Anti-drip and trigger integrated brake release
- Aluminium barrel housing
- Suitable for cartridge and sachet
- High gearing ratio
- Warranty up to 2 years

### BENEFITS

- Fast, reliable and easy handling
- Easy to use and clean application
- For complete flexibility
- One hand operation
- Gives you long worry free performance

### APPLICATIONS



Bonding



Sealing

### PRODUCT BY RANGE

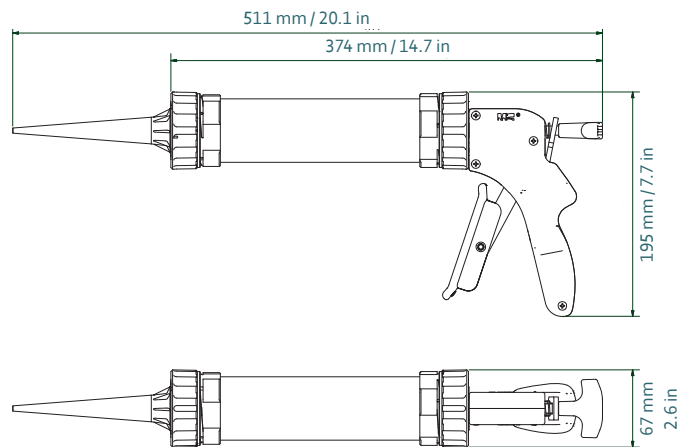


# THE H3 P 1-COMPONENT MANUAL DISPENSER IS DESIGNED FOR USE WITH MEDIUM VISCOSITY SEALANTS AND ADHESIVES WHILE THE ALUMINUM BARREL HOUSING IS SUITABLE FOR BOTH CARTRIDGE AND SACHET MATERIALS GIVING COMPLETE FLEXIBILITY.

## SPECIFICATIONS

- Weight: 1.3 kg / 2.9 lbs
- Barrel Length: 257 mm / 10.1 in
- Maximum Thrust: 2.5 kN (stroke 5.9 mm)
- Handle Material: Aluminum
- Barrel Material: Aluminum
- Cartridge Capacity: 310 mL
- Sachet Capacity: 400 mL
- Mechanical Advantage Ratio: (18:1)
- Standard Color: Black/Grey
- Customized versions on demand

## DIMENSIONS



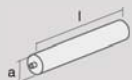
Part number	Article number	Packaging
DM1K 400-cm-r18-101	152414	1 per box, 10 per master carton

## MATCHING MIXPAC™ CARTRIDGES



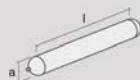
Peeler Cartridge

## COMPATIBLE CARTRIDGES



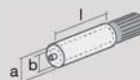
Plastic Cartridge  
310 mL HPDE/PP/PA

	mm	inch
l	216.0	8.5
a	Ø 48.2	Ø 1.8



Sachet  
400 mL

	mm	inch
l	258.0	10.16
a	Ø 50.0	Ø 1.97



Plastic Cartridge  
150 mL 1:1, 2:1, 10:1 PP

	mm	inch
l	117	4.6
a	Ø 50.0	Ø 1.9
1:1 b	Ø 32.0	Ø 1.2
2:1 b	Ø 26.0	Ø 1.0
10:1 b	Ø 14.3	Ø 0.5

## CONVERSION KITS

–

## MATCHING ACCESSORIES

Dispenser Hook, Nozzles, Peeler End Cap on pages 40–41

# H2 P

## 310/400/600 ML CARTRIDGE & SACHET DISPENSER

Aluminum barrel housing  
for both cartridge and sachet



Anti-drip and trigger  
integrated brake release

Model shown: H2 P 600 mL

### FEATURES

- Anti-drip and trigger integrated brake release
- Aluminum barrel housing
- Suitable for cartridge and sachet
- High gearing ratio
- Warranty up to 2 years

### BENEFITS

- Fast, reliable and easy handling
- Easy to use and clean application
- For complete flexibility
- One hand operation
- Gives you long worry free performance

### APPLICATIONS



Bonding

Sealing

### PRODUCT BY RANGE



H3 P

H2 P

H2

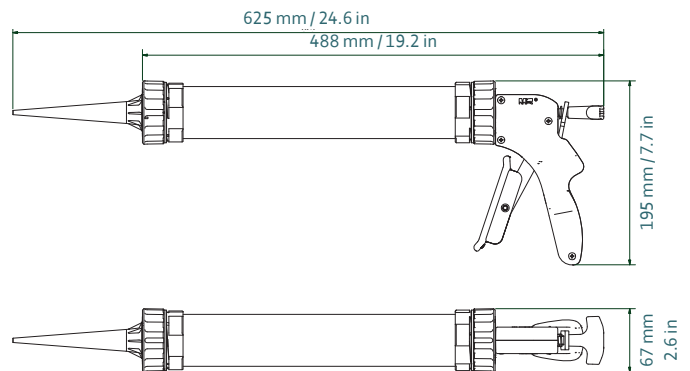


# THE H2 P 1-COMPONENT MANUAL DISPENSER'S HIGH GEARING RATIO ALLOWS FOR PRECISE AND EASY OPERATION WHILE THE ANTI-DRIP FUNCTION DELIVERS MINIMUM WASTE.

## SPECIFICATIONS

- Weight: 1.3 kg / 2.9 lbs
- Barrel Length: 372 mm / 14.6 in
- Maximum Thrust: 2.5 kN (stroke 5.9 mm)
- Handle Material: Aluminum
- Barrel Material: Aluminum
- Cartridge: 310/400 mL
- Sachet: 400/600 mL
- Mechanical Advantage Ratio: (18:1)
- Standard Color: Black/Grey
- Customized versions on demand

## DIMENSIONS



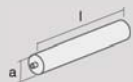
Part number	Article number	Packaging
DM1K 600-cm-r18-101	152368	1 per box, 10 per master carton

## MATCHING MIXPAC™ CARTRIDGES



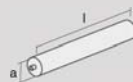
Peeler Cartridge

## COMPATIBLE CARTRIDGES AND SACHETS



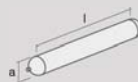
Plastic Cartridge  
310 mL HPDE/PP/PA

	mm	inch
l	216.0	8.5
a	Ø 48.2	Ø 1.8



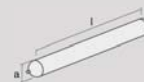
Plastic Cartridge  
400 mL HPDE/PA

	mm	inch
l	256.0	10.1
a	Ø 49.0	Ø 1.9



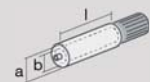
Sachet  
400 mL

	mm	inch
l	258.0	10.16
a	Ø 50.0	Ø 1.97



Sachet  
600 mL

	mm	inch
l	335.0	13.2
a	Ø 50.0	Ø 2.0



Plastic Cartridge  
150 mL 1:1, 2:1, 10:1 PP

	mm	inch
l	117	4.6
a	Ø 50.0	Ø 1.9
1:1 b	Ø 32.0	Ø 1.2
2:1 b	Ø 26.0	Ø 1.0
10:1 b	Ø 14.3	Ø 0.5

## CONVERSION KITS

—

## MATCHING ACCESSORIES

Dispenser Hook, Nozzles, Peeler End Cap on pages 40–41

# H2

## 400/600 ML SACHET & BULK DISPENSER

Barrel housing for both sachet and bulk  
for completed flexibility

Anti-drip and trigger  
integrated brake release

Bayonet mouth piece  
dispensing made simple

Model shown: H2 600 mL

### FEATURES

- Anti-drip and trigger integrated brake release
- Suitable for both sachet and bulk
- Bayonet mouth piece
- Optimal gearing ratio
- Warranty up to 2 years

### BENEFITS

- Fast, reliable and easy handling
- Gives complete flexibility
- Easy to use and clean application
- One hand operation
- Gives you long worry free performance

### APPLICATIONS



Bonding



Sealing

### PRODUCT BY RANGE

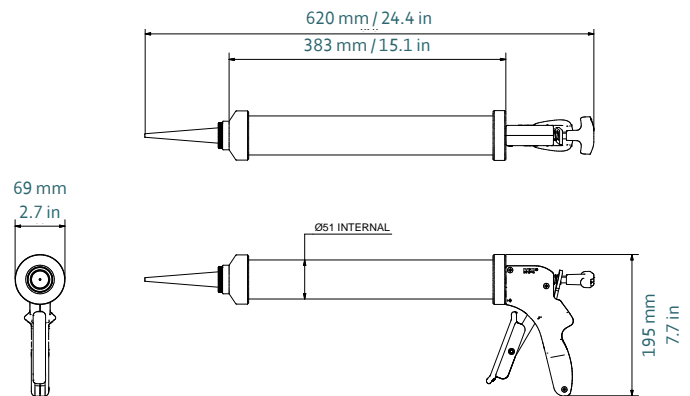


# THE H2 1-COMPONENT MANUAL DISPENSER'S POLISHED STEEL BARREL IS SUITABLE FOR BOTH SACHET AND BULK MATERIALS GIVING YOU COMPLETE FLEXIBILITY, WHILE THE HIGH GEARING RATIO ALLOWS FOR PRECISE AND EASY OPERATION.

## SPECIFICATIONS

- Weight: 1.65 kg / 3.64 lbs
- Barrel Length: 398 mm / 15.6 in
- Maximum Thrust: 2.5 kN (stroke 5.9 mm)
- Handle Material: Aluminum
- Barrel Material: Polished Steel
- Sachet/Bulk Material Capacity: 400 mL, 600 mL
- Mechanical Advantage Ratio: (18:1)
- Standard Color: Steel/Grey
- Customized versions on demand

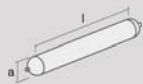
## DIMENSIONS



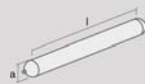
Part number	Article number	Packaging
DM1K 600-bu-r18-001	151726	1 per box, 10 per master carton

## MATCHING MIXPAC™ CARTRIDGES

## COMPATIBLE SACHETS



Sachet  
400 mL



Sachet  
600 mL



Bulk  
400–4000 mL

	mm	inch
l	258.0	10.16
a	Ø 50.0	Ø 1.97

	mm	inch
l	335.0	13.2
a	Ø 50.0	Ø 2.0

## CONVERSION KITS

## MATCHING ACCESSORIES

Dispenser Hook, Pistons / Nozzles on pages 40–41

# H3 PS

## 310/400 ML CARTRIDGE & SACHET DISPENSER



Model shown: H3 PS

### FEATURES

- Soft grip handle
- Anti-drip and trigger integrated brake release
- Transparent barrel
- Optimal gearing ratio
- Click on/off piston
- Warranty up to 2 years

### BENEFITS

- For comfortable use
- Fast, reliable and easy handling
- Residual material visible
- One hand operation
- For easy conversion from cartridge to sachet
- Gives you long worry free performance

### APPLICATIONS



### PRODUCT BY RANGE

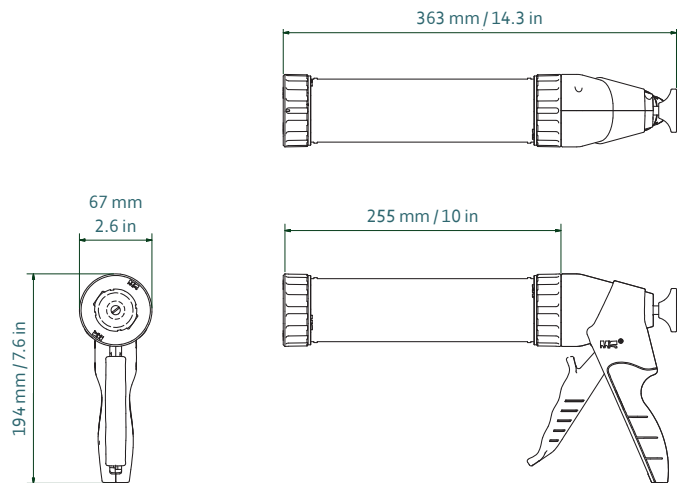


# THE H3 PS 1-COMPONENT MANUAL DISPENSER'S TRANSPARENT BARREL IS SUITABLE FOR BOTH CARTRIDGE AND SACHET, WHILE THE CLICK ON/OFF PISTON MAKES EASY CONVERSION GIVING YOU COMPLETE FLEXIBILITY.

## SPECIFICATIONS

- Lightweight: 0.7 kg / 1.54 lbs
- Barrel Length: 255 mm / 10 in
- Maximum Thrust: 2.5 kN (stroke 6.5 mm)
- Handle Material: Reinforced Nylon
- Barrel Material: Transparent Plastic
- Cartridge Capacity: 310 mL
- Sachet Capacity: 400 mL
- Mechanical Advantage Ratio: (18:1)
- Standard Color: Black/Grey
- Customized versions on demand

## DIMENSIONS



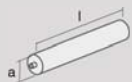
Part number	Article number	Packaging
DM1K 400-cm-r18-201	151741	1 per box, 10 per master carton

## MATCHING MIXPAC™ CARTRIDGES



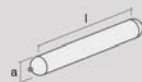
Peeler Cartridge

## COMPATIBLE CARTRIDGES AND SACHETS



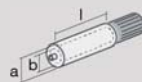
Plastic Cartridge  
310 mL HPDE/PP/PA

	mm	inch
l	216.0	8.5
a	Ø 48.2	Ø 1.8



Sachet  
400 mL

	mm	inch
l	258.0	10.16
a	Ø 50.0	Ø 1.97



Plastic Cartridge  
150 mL 1:1, 2:1, 10:1 PP

	mm	inch
l	117	4.6
a	Ø 50.0	Ø 1.9
1:1 b	Ø 32.0	Ø 1.2
2:1 b	Ø 26.0	Ø 1.0
10:1 b	Ø 14.3	Ø 0.5

## CONVERSION KITS

–

## MATCHING ACCESSORIES

Dispenser Hook, Nozzles, Peeler End Cap on pages 40–41

# H2 PS

## 310/400/600 ML CARTRIDGE & SACHET DISPENSER



Model shown: H2 PS 600 mL

### FEATURES

- Soft grip handle
- Anti-drip and trigger integrated brake release
- Transparent barrel
- Optimal gearing ratio
- Click on/off piston
- Warranty up to 2 years

### BENEFITS

- For comfortable use
- Fast, reliable and easy handling
- Residual material visible
- One hand operation
- For easy conversion from cartridge to sachet
- Gives you long worry free performance

### APPLICATIONS



### PRODUCT BY RANGE

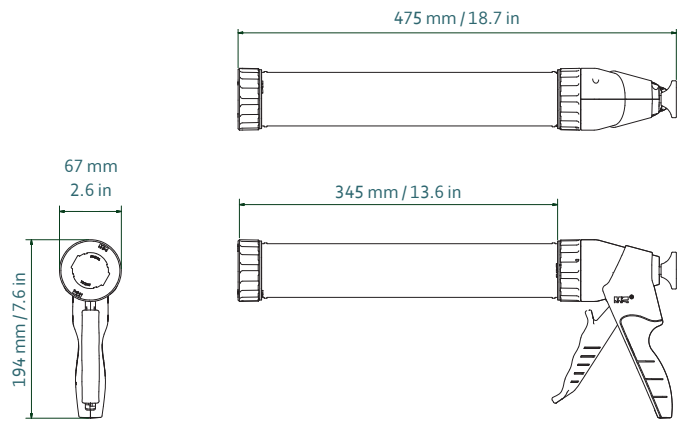


# THE H2 PS 1-COMPONENT MANUAL DISPENSER'S HIGH GEARING RATIO ALLOWS FOR PRECISE AND EASY OPERATION WHILE THE ANTI-DRIP FUNCTION DELIVERS MINIMUM WASTE.

## SPECIFICATIONS

- Lightweight: 0.8 kg / 1.7 lbs
- Barrel Length: 345 mm / 13.6 in
- Maximum Thrust: 2.5 kN (stroke 6.5 mm)
- Handle Material: Reinforced Nylon
- Barrel Material: Transparent Plastic
- Cartridge Capacity: 310 mL, 400 mL
- Sachet Capacity: 400 mL, 600 mL
- Mechanical Advantage Ratio: (18:1)
- Standard Color: Black/Grey
- Customized versions on demand

## DIMENSIONS



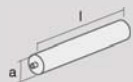
Part number	Article number	Packaging
DM1K 600-cm-r18-201	151728	1 per box, 10 per master carton

## MATCHING MIXPAC™ CARTRIDGES



Peeler Cartridge

## COMPATIBLE CARTRIDGES AND SACHETS



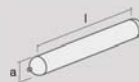
Plastic Cartridge  
310 mL HPDE/PP/PA

	mm	inch
l	216.0	8.5
a	Ø 48.2	Ø 1.8



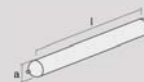
Plastic Cartridge  
400 mL HPDE/PA

	mm	inch
l	256.0	10.1
a	Ø 49.0	Ø 1.9



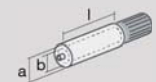
Sachet  
400 mL

	mm	inch
l	258.0	10.16
a	Ø 50.0	Ø 1.97



Sachet  
600 mL

	mm	inch
l	335.0	13.2
a	Ø 50.0	Ø 2.0



Plastic Cartridge  
150 mL 1:1, 2:1, 10:1 PP

	mm	inch
l	117	4.6
a	Ø 50.0	Ø 1.9
1:1	b	Ø 32.0
2:1	b	Ø 26.0
10:1	b	Ø 14.3

## CONVERSION KITS

–

## MATCHING ACCESSORIES

Dispenser Hook, Nozzles, Peeler End Cap on pages 40–41

# H3 PSA

## 310/400 ML CARTRIDGE & SACHET DISPENSER



Model shown: H3 PSA 310 mL

### FEATURES

- Soft grip handle
- Anti-drip and trigger integrated brake release
- Aluminum barrel
- Optimal gearing ratio
- Click on/off piston
- Warranty up to 2 years

### BENEFITS

- For comfortable use
- Fast, reliable and easy handling
- Easy to use and clean application
- One hand operation
- For easy conversion from cartridge to sachet
- Gives you long worry free performance

### APPLICATIONS



### PRODUCT BY RANGE



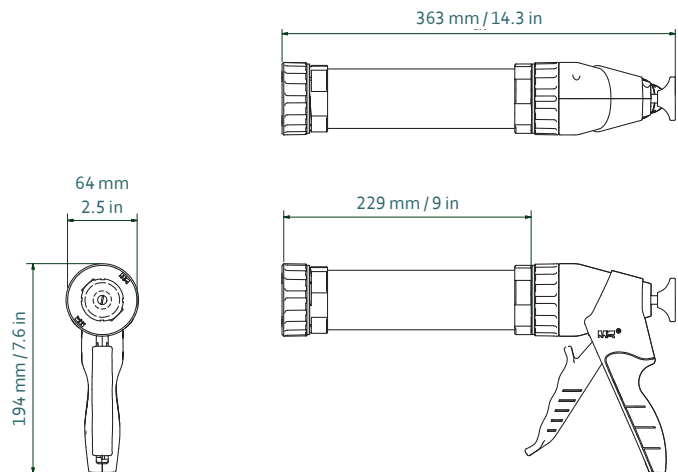


# THE H3 PSA 1-COMPONENT MANUAL DISPENSER'S ALUMINUM BARREL IS SUITABLE FOR BOTH CARTRIDGE AND SACHET, WHILE THE CLICK ON/OFF PISTON MAKES EASY CONVERSION GIVING YOU COMPLETE FLEXIBILITY.

## SPECIFICATIONS

- Lightweight: 0.7 kg / 1.54 lbs
- Barrel Length: 229 mm / 9 in
- Maximum Thrust: 2.5 kN (stroke 6.5 mm)
- Handle Material: Reinforced Nylon
- Barrel Material: Aluminum
- Cartridge Capacity: 310 mL
- Sachet Capacity: 400 mL
- Mechanical Advantage Ratio: (18:1)
- Standard Color: Black/Grey
- Customized versions on demand

## DIMENSIONS



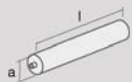
Part number	Article number	Packaging
DM1K 400-cm-r18-301	152499	1 per box, 10 per master carton

## MATCHING MIXPAC™ CARTRIDGES



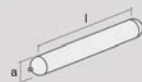
Peeler Cartridge

## COMPATIBLE CARTRIDGES AND SACHETS



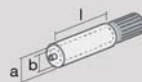
Plastic Cartridge  
310 mL HPDE/PP/PA

	mm	inch
l	216.0	8.5
a	Ø 48.2	Ø 1.8



Sachet  
400 mL

	mm	inch
l	258.0	10.16
a	Ø 50.0	Ø 1.97



Plastic Cartridge  
150 mL 1:1, 2:1, 10:1 PP

	mm	inch
l	117	4.6
a	Ø 50.0	Ø 1.9
1:1 b	Ø 32.0	Ø 1.2
2:1 b	Ø 26.0	Ø 1.0
10:1 b	Ø 14.3	Ø 0.5

## CONVERSION KITS

–

## MATCHING ACCESSORIES

Dispenser Hook, Nozzles, Peeler End Cap on pages 40–41

# H2 PSA

## 310/400/600 ML CARTRIDGE & SACHET DISPENSER



Model shown: H2 PSA 600 mL

### FEATURES

- Soft grip handle
- Anti-drip and trigger integrated brake release
- Aluminum barrel
- Optimal gearing ratio
- Click on/off piston
- Warranty up to 2 years

### BENEFITS

- For comfortable use
- Fast, reliable and easy handling
- Suitable for cartridge and sachet
- One hand operation
- For easy conversion from cartridge to sachet
- Gives you long worry free performance

### APPLICATIONS



### PRODUCT BY RANGE

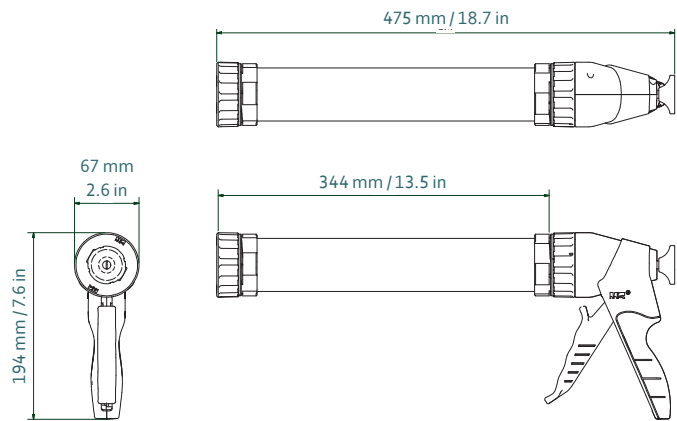


# THE H2 PSA 1-COMPONENT MANUAL DISPENSER IS DESIGNED FOR USE WITH MEDIUM VISCOSITY SEALANTS AND ADHESIVES, WHILE THE ANTI-DRIP AND INTEGRATED BRAKE RELEASE FUNCTION DELIVERS MINIMUM WASTE.

## SPECIFICATIONS

- Lightweight: 0.91 kg / 2.0 lbs
- Barrel Length: 344 mm / 13.5 in
- Maximum Thrust: 2.5 kN (stroke 6.5 mm)
- Handle Material: Reinforced Nylon
- Barrel Material: Aluminum
- Cartridge Capacity: 310 mL, 400 mL
- Sachet Capacity: 400 mL, 600 mL
- Mechanical Advantage Ratio: (18:1)
- Standard Color: Black/Grey
- Customized versions on demand

## DIMENSIONS



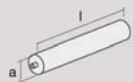
Part number	Article number	Packaging
DM1K 600-cm-r18-301	152497	1 per box, 10 per master carton

## MATCHING MIXPAC™ CARTRIDGES



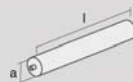
Peeler Cartridge

## COMPATIBLE CARTRIDGES AND SACHETS



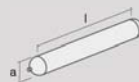
Plastic Cartridge  
310 mL HPDE/PP/PA

	mm	inch
l	216.0	8.5
a	Ø 48.2	Ø 1.8



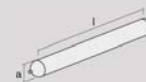
Plastic Cartridge  
400 mL HPDE/PA

	mm	inch
l	256.0	10.1
a	Ø 49.0	Ø 1.9



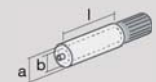
Sachet  
400 mL

	mm	inch
l	258.0	10.16
a	Ø 50.0	Ø 1.97



Sachet  
600 mL

	mm	inch
l	335.0	13.2
a	Ø 50.0	Ø 2.0



Plastic Cartridge  
150 mL 1:1, 2:1, 10:1 PP

	mm	inch
l	117	4.6
a	Ø 50.0	Ø 1.9
1:1 b	Ø 32.0	Ø 1.2
2:1 b	Ø 26.0	Ø 1.0
10:1 b	Ø 14.3	Ø 0.5

## CONVERSION KITS

–

## MATCHING ACCESSORIES

Dispenser Hook, Nozzles, Peeler End Cap on pages 40–41

# H40 PS

## 310 ML CARTRIDGE DISPENSER



Model shown: H40 PS 310 mL

### FEATURES

- Soft grip handle
- Anti-drip and trigger integrated brake release
- U-opening with cartridge snap fit
- Reinforced nylon cartridge holder
- 360° rotation
- Warranty up to 2 years

### BENEFITS

- For comfortable use
- Fast, reliable and easy handling
- Automatic cartridge positioning and fixation
- Long life technology
- For easy access in tight spaces
- Gives you long worry free performance

### APPLICATIONS



### PRODUCT BY RANGE

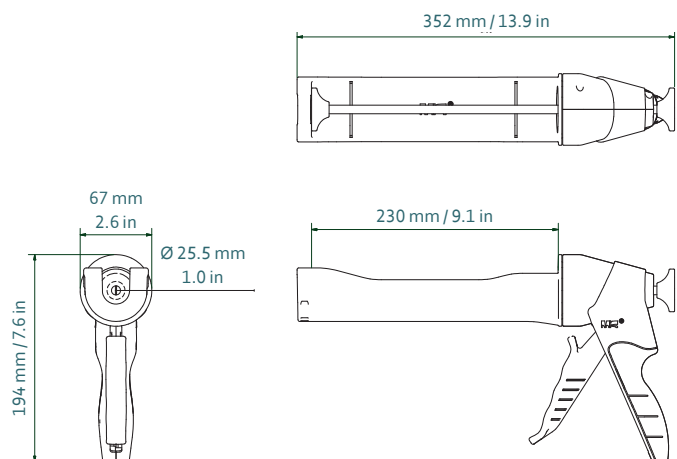


# THE H40 PS 1-COMPONENT MANUAL DISPENSER'S REINFORCED NYLON CARTRIDGE HOLDER WITH 360° U-OPENING PROVIDES AUTOMATIC FIXATION AND POSITIONING. THE ANTI-DRIP TRIGGER AND INTEGRATED BRAKE RELEASE DELIVERS FAST RELIABLE DISPENSING.

## SPECIFICATIONS

- Lightweight: 0.60 kg / 1.3 lbs
- Frame Length: 230 mm / 9.1 in
- Maximum Thrust: 2.5 kN (stroke 6.5 mm)
- Handle Material: Reinforced Nylon
- Frame Material: Reinforced Nylon
- Cartridge Capacity: 310 mL
- Mechanical Advantage Ratio: (18:1)
- Standard Color: Black/Grey/Red
- Nozzle Dimension: Ø 25.5 mm / 1.0 in
- Customized versions on demand

## DIMENSIONS



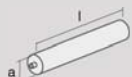
Part number	Article number	Packaging
DM1K 310-ca-r18-201	151743	Bulk packed with 10 units

## MATCHING MIXPAC™ CARTRIDGES



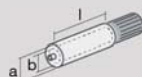
Peeler Cartridge

## COMPATIBLE CARTRIDGES AND SACHETS



Plastic Cartridge  
310 mL HPDE/PP/PA

	mm	inch
l	216.0	8.5
a	Ø 48.2	Ø 1.8



Plastic Cartridge  
150 mL 1:1, 2:1, 10:1 PP

	mm	inch
l	117	4.6
a	Ø 50.0	Ø 1.9
1:1 b	Ø 32.0	Ø 1.2
2:1 b	Ø 26.0	Ø 1.0
10:1 b	Ø 14.3	Ø 0.5

## CONVERSION KITS

–

## MATCHING ACCESSORIES

Nozzle extension / Twisty nozzle on pages 40–41

# H40 PSOE

## 310 ML CARTRIDGE DISPENSER



Model shown: H40 PSOE 310 mL

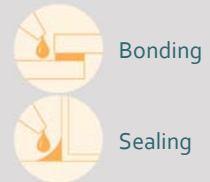
### FEATURES

- Soft grip handle
- Anti-drip and trigger integrated brake release
- U-opening with cartridge snap fit
- Reinforced nylon cartridge holder
- Eyelet
- Warranty up to 2 years

### BENEFITS

- For comfortable use
- Fast, reliable and easy handling
- Automatic cartridge positioning and fixation
- Long life technology
- Creates convenient tool support
- Gives you long worry free performance

### APPLICATIONS



### PRODUCT BY RANGE

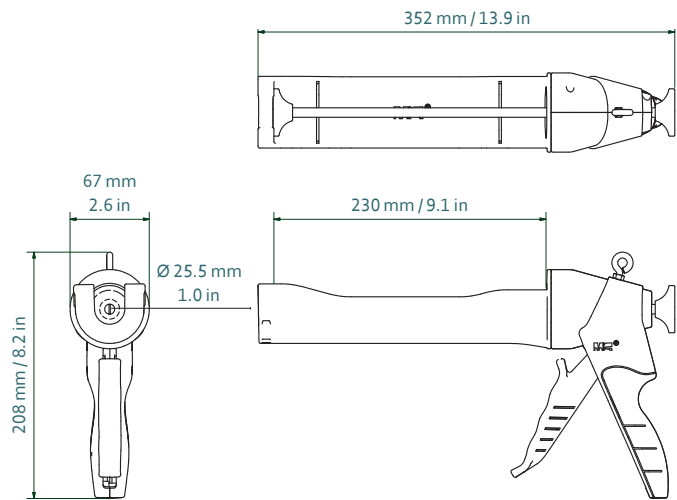


# THE H40 PSOE 1-COMPONENT MANUAL DISPENSER'S ANTI-DRIP TRIGGER AND INTEGRATED BRAKE RELEASE DELIVERS FAST RELIABLE DISPENSING FOR ALL YOUR APPLICATIONS.

## SPECIFICATIONS

- Lightweight: 0.60 kg / 1.32 lbs
- Frame Length: 230 mm / 9.1 in
- Maximum Thrust: 2.5 kN (stroke 6.5 mm)
- Handle Material: Reinforced Nylon
- Frame Material: Reinforced Nylon
- Cartridge Capacity: 310 mL
- Mechanical Advantage Ratio: (18:1)
- Standard Color: Black/Grey/Red
- Nozzle Dimension: Ø 25.5 mm / 1.0 in
- Customized versions on demand

## DIMENSIONS



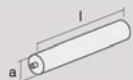
Part number	Article number	Packaging
DM1K 310-ca-r18-301	152681	Bulk packed with 10 units

## MATCHING MIXPAC™ CARTRIDGES



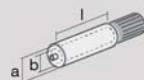
Peeler Cartridge

## COMPATIBLE CARTRIDGES



Plastic Cartridge  
310 mL HPDE/PP/PA

	mm	inch
l	216.0	8.5
a	Ø 48.2	Ø 1.8



Plastic Cartridge  
150 mL 1:1, 2:1, 10:1 PP

	mm	inch
l	117	4.6
a	Ø 50.0	Ø 1.9
1:1 b	Ø 32.0	Ø 1.2
2:1 b	Ø 26.0	Ø 1.0
10:1 b	Ø 14.3	Ø 0.5

## CONVERSION KITS

–

## MATCHING ACCESSORIES

Nozzle extension / Twisty nozzle on pages 40–41

# H40+

## 310 ML CARTRIDGE DISPENSER



Robust aluminium handle & durable steel frame construction designed for reliable, single-handed dispensing

360° rotating frame for uninterrupted handle orientation to access hard-to-reach areas

U-shaped opening with easy cartridge fit and increased MIXPAC™ cartridge range compatibility

Trigger-integrated brake release with anti-drip mechanism for precise flow control and application performance

Model shown: H40+ 310 mL



### FEATURES

- Single hand grip dispensing operation
- Ergonomic handle
- Trigger-integrated brake release with anti-drip mechanism
- 360° frame rotation
- U-shaped opening cartridge holder
- 2-Year warranty

### BENEFITS

- Smoother, more precise bead application
- User comfort in all dispensing applications
- One-handed control for fast and precise dispensing
- Uninterrupted handle orientation adjustments to access hard-to-reach areas
- MIXPAC™ New Peeler™ or Mixpeel™ 2-component co-axial and 1-component cartridge fit
- Reliable performance

### APPLICATIONS

-  Bonding
-  Sealing

### PRODUCT BY RANGE



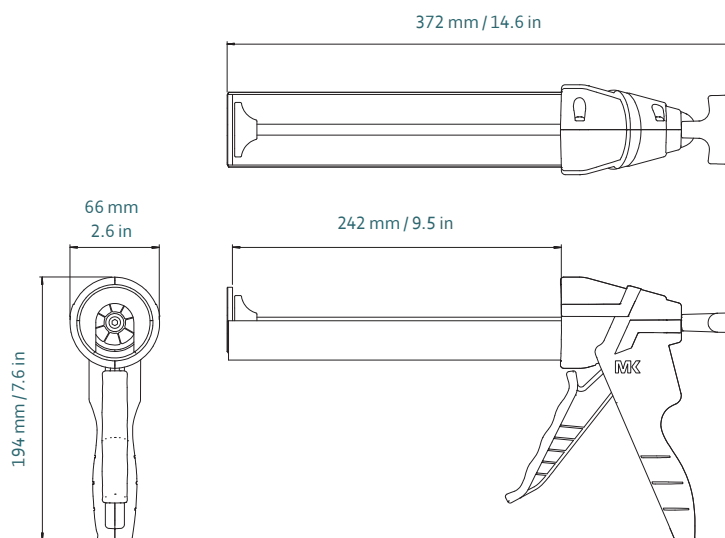


# THE NEW MK H40+ 1-COMPONENT MANUAL DISPENSER BENEFITS FROM A NEW ERGONOMIC DESIGN FOR FASTER AND EASIER PROFESSIONAL DISPENSING, COMPARED TO THE PRECEDING H40 MODEL.

## SPECIFICATIONS

- Lightweight: 880 g unboxed
- Frame Length: 242 mm / 9.5 in
- Maximum Thrust: 2.5 kN
- Handle Material: Aluminium
- Frame Material: Steel
- Cartridge Capacity: 310 mL
- Standard Colour: Grey/Red
- Mechanical Advantage: 18:1

## DIMENSIONS



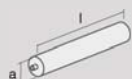
Part number	Article number	Packaging
DM1K 310-CA-R18-602	184014	Single pack (1 per box)
DM1K 310-CA-R18-601	184013	Bulk pack (8 per box)

## MATCHING MIXPAC™ CARTRIDGES



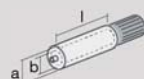
Peeler Cartridge

## COMPATIBLE CARTRIDGES



Plastic Cartridge  
310 mL HPDE/PP/PA

	mm	inch
l	216.0	8.5
a	Ø 50.0	Ø 1.8



Plastic Cartridge  
150 mL 1:1, 2:1, 10:1 PP

	mm	inch
l	117	4.6
a	Ø 50.0	Ø 1.9

## CONVERSION KITS

–

## MATCHING ACCESSORIES

Piston on pages 40–41

# H14 RS

## 310 ML CARTRIDGE DISPENSER



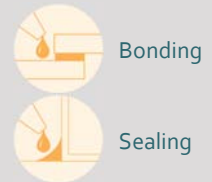
### FEATURES

- Anti-drip and trigger integrated brake release
- Ergonomic handle
- Steel frame cartridge holder
- Warranty up to 2 years

### BENEFITS

- Fast, reliable and easy handling
- For comfortable use
- Automatic cartridge positioning and fixation
- Gives you long worry free performance

### APPLICATIONS



### PRODUCT BY RANGE



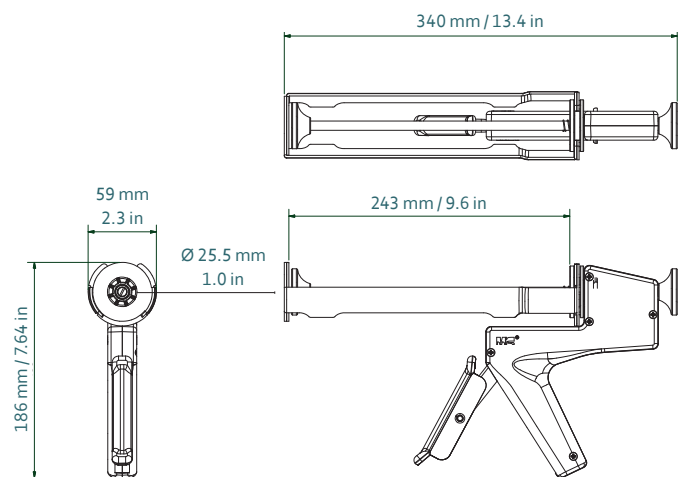
H14 RS

# THE H14 RS 1-COMPONENT MANUAL DISPENSER IS DESIGNED FOR USE WITH LOW TO MEDIUM VISCOSITY SEALANTS AND ADHESIVES THE ANTI-DRIP TRIGGER AND INTEGRATED BRAKE RELEASE DELIVERS FAST RELIABLE DISPENSING FOR ALL YOUR APPLICATIONS.

## SPECIFICATIONS

- Lightweight: 0.77 kg / 1.70 lbs
- Frame Length: 243 mm / 9.5 in
- Maximum Thrust: 1.5 kN (stroke 9.8 mm)
- Handle Material: Reinforced Nylon
- Frame Material: Steel
- Cartridge Capacity: 310 mL
- Mechanical Advantage Ratio: (12:1)
- Standard Color: Black/Red
- Nozzle Dimension: Ø 25.5 mm / 1.0 in
- Customized versions on demand

## DIMENSIONS



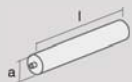
Part number	Article number	Packaging
DM1K 310-ca-r12-201	151723	Bulk packed with 10 units

## MATCHING MIXPAC™ CARTRIDGES



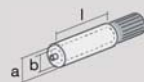
Peeler Cartridge

## COMPATIBLE CARTRIDGES



Plastic Cartridge  
310 mL HPDE/PP/PA

	mm	inch
l	216.0	8.5
a	Ø 48.2	Ø 1.8



Plastic Cartridge  
150 mL 1:1, 2:1, 10:1 PP

	mm	inch
l	117	4.6
a	Ø 50.0	Ø 1.9
1:1 b	Ø 32.0	Ø 1.2
2:1 b	Ø 26.0	Ø 1.0
10:1 b	Ø 14.3	Ø 0.5

## CONVERSION KITS

–

## MATCHING ACCESSORIES

Nozzle extension / Twisty nozzle on pages 40–41

# H1 X

## 310 ML CARTRIDGE DISPENSER



Model shown: H1 X 310 mL

### FEATURES

- Anti-drip and trigger integrated brake release
- Reinforced nylon frame with cartridge snap fit
- Integrated poker
- Warranty up to 2 years

### BENEFITS

- Fast, reliable and easy handling
- Automatic cartridge positioning and fixation
- Retractable seal puncturing device
- Gives you long worry free performance

### APPLICATIONS



### PRODUCT BY RANGE



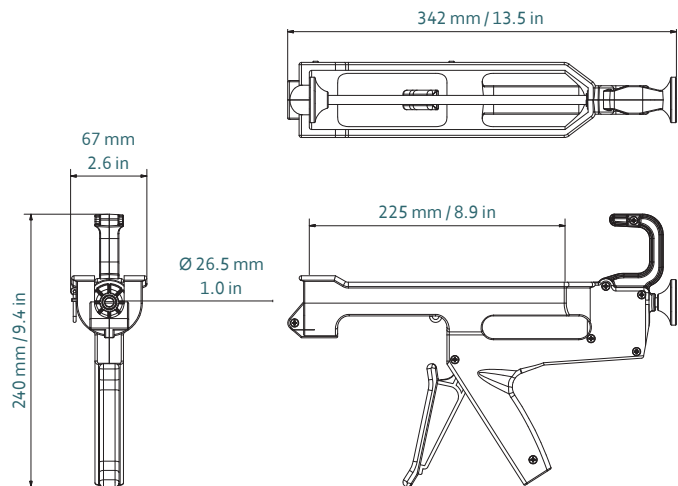
H1 X

# THE H1 X 1-COMPONENT MANUAL DISPENSER'S REINFORCED NYLON U-OPENING CARTRIDGE HOLDER OFFERS AUTOMATIC FIXATION AND POSITIONING. THIS DISPENSER ALSO COMES FITTED WITH A RETRACTABLE SEAL PUNCTURING DEVICE.

## SPECIFICATIONS

- Lightweight: 0.55 kg / 1.21 lbs
- Barrel Length: 225 mm / 8.9 in
- Maximum Thrust: 1.25 kN (stroke 10 mm)
- Handle Material: Reinforced Nylon
- Barrel Material: Reinforced Nylon
- Cartridge Capacity: 310 mL
- Mechanical Advantage Ratio: (12:1)
- Standard Color: Black
- Nozzle Dimension: Ø 26.5 mm / 1.0 in
- Customized versions on demand

## DIMENSIONS



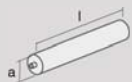
Part number	Article number	Packaging
DM1K 310-ca-r12-101	151725	Bulk packed with 12 units

## MATCHING MIXPAC™ CARTRIDGES



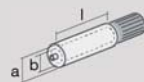
Peeler Cartridge  
310 mL

## COMPATIBLE CARTRIDGES



Plastic Cartridge  
310 mL HPDE/PP/PA

	mm	inch
l	216.0	8.5
a	Ø 48.2	Ø 1.8



Plastic Cartridge  
150 mL 1:1, 2:1, 10:1 PP

	mm	inch
l	117	4.6
a	Ø 50.0	Ø 1.9
1:1 b	Ø 32.0	Ø 1.2
2:1 b	Ø 26.0	Ø 1.0
10:1 b	Ø 14.3	Ø 0.5

## CONVERSION KITS

–

## MATCHING ACCESSORIES

Piston on pages 40–41

# H245

## 310 ML CARTRIDGE DISPENSER



### FEATURES

- Anti-drip and trigger integrated brake release
- Reinforced nylon frame with cartridge snap fit
- Life prolonging adjustment screw
- U-opening with cartridge snap fit
- Warranty up to 2 years

### BENEFITS

- Fast, reliable and easy handling
- Automatic cartridge positioning and fixation
- No loss of performance – anti-wear
- Automatic cartridge positioning and fixation
- Gives you long worry free performance

### APPLICATIONS



### PRODUCT BY RANGE



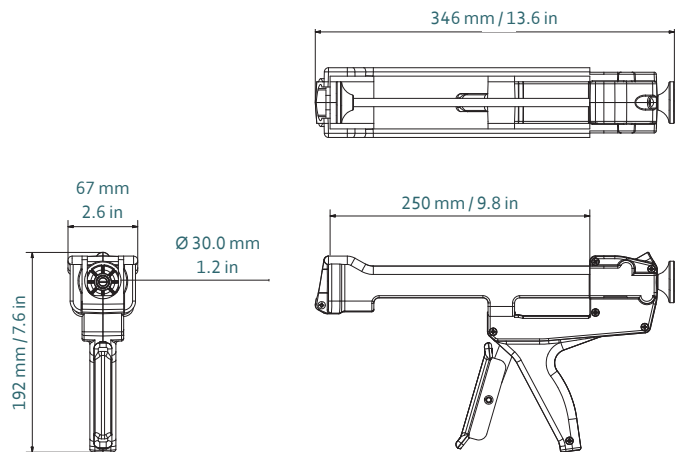
H245

# THE H245 1-COMPONENT MANUAL DISPENSER IS DESIGNED FOR USE WITH HIGH VISCOSITY SEALANTS AND ADHESIVES. THIS DISPENSER ALSO COMES FITTED WITH A LIFE PROLONGING ADJUSTMENT SCREW.

## SPECIFICATIONS

- Lightweight: 0.8 kg / 1.7 lbs
- Barrel Length: 250 mm / 9.8 in
- Maximum Thrust: 5 kN (stroke 3.5 mm)
- Handle Material: Fully Molded Reinforced Nylon
- Barrel Material: Fully Molded Reinforced Nylon
- Cartridge Capacity: 310 mL
- Mechanical Advantage Ratio: (26:1)
- Standard Color: Black
- Nozzle Dimension: Ø 30.0 mm / 1.2 in
- Customized versions on demand

## DIMENSIONS



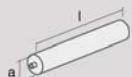
Part number	Article number	Packaging
DM1K 310-ca-r26-001	151727	1 per box, 10 per master carton

## MATCHING MIXPAC™ CARTRIDGES



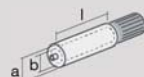
Peeler Cartridge  
310 mL

## COMPATIBLE CARTRIDGES



Plastic Cartridge  
310 mL HPDE/PP/PA

	mm	inch
l	216.0	8.5
a	Ø 48.2	Ø 1.8



Plastic Cartridge  
150 mL 1:1, 2:1, 10:1 PP

	mm	inch
l	117	4.6
a	Ø 50.0	Ø 1.9
1:1 b	Ø 32.0	Ø 1.2
2:1 b	Ø 26.0	Ø 1.0
10:1 b	Ø 14.3	Ø 0.5

## CONVERSION KITS

–

## MATCHING ACCESSORIES

Piston on pages 40–41

# H212 P

## 310/400/600 ML CARTRIDGE DISPENSER



Model shown: H212 P 600 mL

### FEATURES

- Anti-drip and trigger integrated brake release
- Aluminum barrel
- Life prolonging adjustment screw
- Click on/off piston
- Warranty up to 2 years

### BENEFITS

- Fast, reliable and easy handling
- Suitable for cartridges and sachets
- No loss of performance – anti-wear
- For easy conversion from cartridge to sachet
- Gives you long worry free performance

### APPLICATIONS



### PRODUCT BY RANGE



H212 P

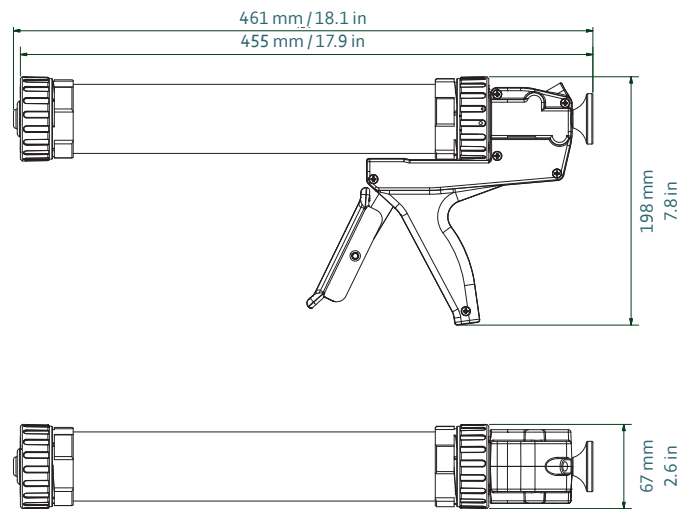


# THE H212 P 1-COMPONENT MANUAL DISPENSER IS DESIGNED FOR USE WITH HIGH VISCOSITY SEALANTS AND ADHESIVES AND THE ALUMINUM BARREL IS SUITABLE FOR BOTH CARTRIDGES AND SACHETS.

## SPECIFICATIONS

- Lightweight: 1.29 kg / 2.84 lbs
- Barrel Length: 373 mm / 14.6 in
- Maximum Thrust: 5 kN (stroke 3.5 mm)
- Handle Material: Reinforced Nylon
- Barrel Material: Aluminum
- Cartridge Capacity: 310 mL, 400 mL
- Mechanical Advantage Ratio: (26:1)
- Sachet Capacity: 400 mL, 600 mL
- Standard Color: Black/Grey
- Customized versions on demand

## DIMENSIONS



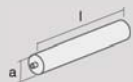
Part number	Article number	Packaging
DM1K 600-cm-r26-001	152157	1 per box, 10 per master carton

## MATCHING MIXPAC™ CARTRIDGES



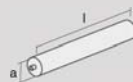
Peeler Cartridge

## COMPATIBLE CARTRIDGES AND SACHETS



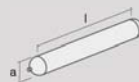
Plastic Cartridge  
310 mL HPDE/PP/PA

	mm	inch
l	216.0	8.5
a	Ø 48.2	Ø 1.8



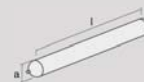
Plastic Cartridge  
400 mL HPDE/PA

	mm	inch
l	256.0	10.1
a	Ø 49.0	Ø 1.9



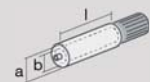
Sachet  
400 mL

	mm	inch
l	258.0	10.16
a	Ø 50.0	Ø 1.97



Sachet  
600 mL

	mm	inch
l	335.0	13.2
a	Ø 50.0	Ø 2.0



Plastic Cartridge  
150 mL 1:1, 2:1, 10:1 PP

	mm	inch
l	117	4.6
a	Ø 50.0	Ø 1.9
1:1 b	Ø 32.0	Ø 1.2
2:1 b	Ø 26.0	Ø 1.0
10:1 b	Ø 14.3	Ø 0.5

## CONVERSION KITS

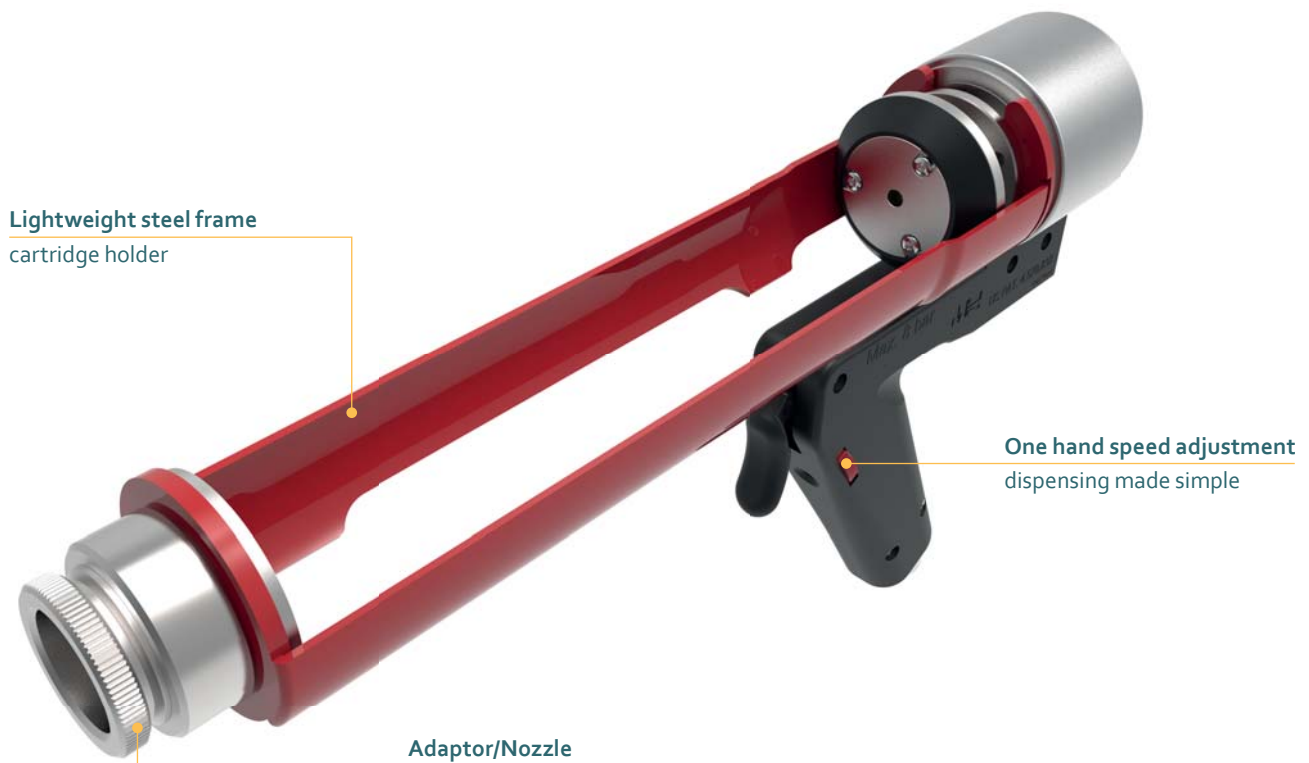
–

## MATCHING ACCESSORIES

Dispenser Hook, Nozzles, Peeler End Cap on pages 40–41

# T16 X

## 310 ML CARTRIDGE DISPENSER



Model shown: T16 X 310 mL

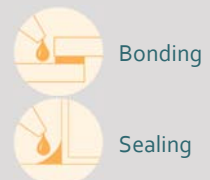
### FEATURES

- Reinforced nylon handle
- One hand pressure adjustment
- Operates without the use of a piston
- Forward air release
- Warranty up to 2 years

### BENEFITS

- For comfortable use
- Easy simple dispensing
- Ideal for compact spaces
- Fast, reliable and easy handling
- Gives you long worry free performance

### APPLICATIONS



### PRODUCT BY RANGE



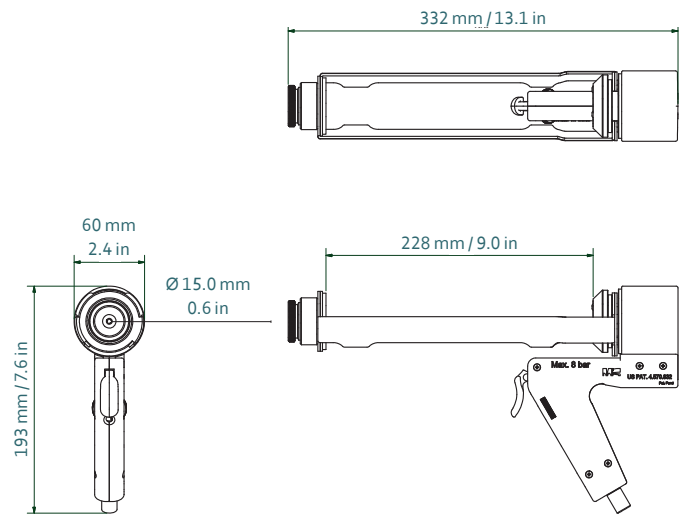
T16 X

# THE T16 X 1-COMPONENT PNEUMATIC DISPENSER'S ONE-HANDED PRESSURE ADJUSTMENT AND 8 BAR (116 PSI) REGULATOR MAKES FOR EASY DISPENSING.

## SPECIFICATIONS

- Lightweight: 0.88 kg / 1.94 lbs
- Frame Length: 228 mm / 9.0 in
- Maximum Thrust: 1.3 kN
- Maximum Pneumatic Pressure: 8 bar / 116 psi
- Air Consumption: 40 litres/min
- Handle Material: Reinforced Nylon
- Frame Material: Steel
- Tool Component Approvals: CE
- Cartridge Capacity: 310 mL
- Standard Color: Black/Red
- Nozzle Dimension: Ø 15.0 mm / 0.6 in
- Customized versions on demand

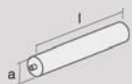
## DIMENSIONS



1 per box, 10 per master carton	Article number	Packaging
DP1K 310-ca-100-001	152510	1 per box, 10 per master carton
DP1K 310-ca-130-100	151775 (with Adaptor/Nozzle)	1 per box, 10 per master carton

## MATCHING MIXPAC™ CARTRIDGES

## COMPATIBLE CARTRIDGES



Plastic Cartridge  
310 mL HPDE/PP/PA

	mm	inch
l	216.0	8.5
a	Ø 48.2	Ø 1.8

## CONVERSION KITS

—

## MATCHING ACCESSORIES

Yellow Nozzles on pages 40–41

# T22 XP

## 400/600 ML SACHET DISPENSER



Model shown: T22 XP 600 mL

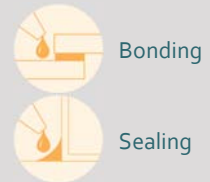
### FEATURES

- Reinforced nylon handle
- One hand pressure adjustment
- Balanced dispenser
- Forward air release
- Warranty up to 2 years

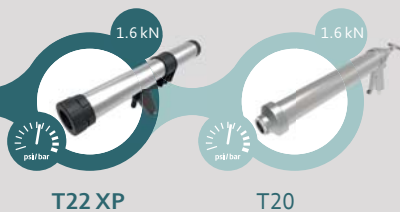
### BENEFITS

- For comfortable use
- Easy simple dispensing
- For precise working
- Fast, reliable and easy handling
- Gives you long worry free performance

### APPLICATIONS



### PRODUCT BY RANGE

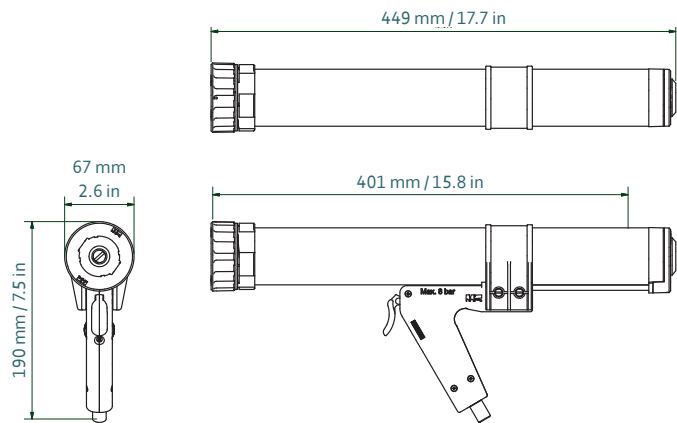


# THE T22 XP 1-COMPONENT PNEUMATIC DISPENSER IS DESIGNED FOR USE WITH LOW TO MEDIUM VISCOSITY SEALANTS AND ADHESIVES, WHILE THE FORWARD AIR RELEASE MAKES FOR EASY OPERATION.

## SPECIFICATIONS

- Lightweight: 0.98 kg / 2.2 lbs
- Frame Length: 401 mm / 15.8 in
- Maximum Thrust: 1.6 kN
- Maximum Pneumatic Pressure: 8 bar / 116 psi
- Air Consumption: 40 litres/min
- Handle Material: Reinforced Nylon
- Barrel Material: Aluminum
- Tool Component Approvals: CE
- Sachet Capacity: 400 mL, 600 mL
- Standard Color: Black/Grey
- Customized versions on demand

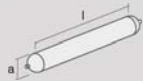
## DIMENSIONS



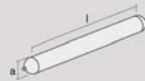
Part number	Article number	Packaging
DP1K 600-sa-160-001	151777	1 per box, 10 per master carton

## MATCHING MIXPAC™ CARTRIDGES

## COMPATIBLE CARTRIDGES AND SACHETS



Sachet  
400 mL



Sachet  
600 mL

	mm	inch
l	258.0	10.16
a	Ø 50.0	Ø 1.97

	mm	inch
l	335.0	13.2
a	Ø 50.0	Ø 2.0

## CONVERSION KITS

## MATCHING ACCESSORIES

Dispenser Hook, Yellow Nozzles on pages 40–41

# T20

## 400/600 ML SACHET & BULK DISPENSER



Model shown: T20 600 mL

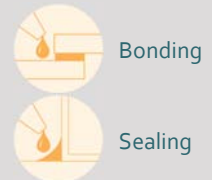
### FEATURES

- Bayonet mouth piece
- Durable steel barrel
- Forward air release
- Warranty up to 2 years

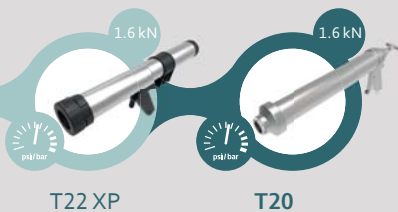
### BENEFITS

- Dispensing made simple
- For both sachets and bulk
- Fast, reliable and easy handling
- Gives you long worry free performance

### APPLICATIONS



### PRODUCT BY RANGE

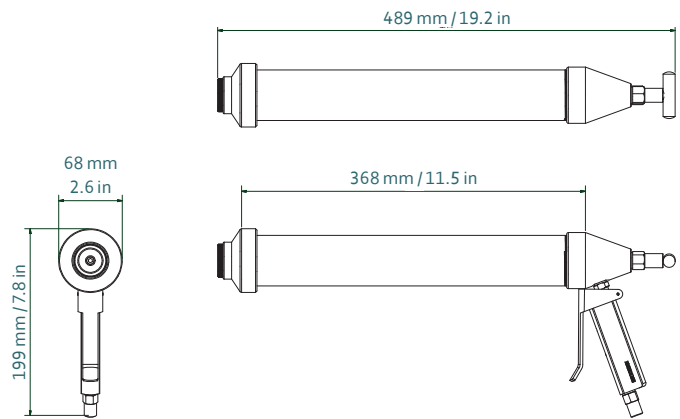


# THE T20 1-COMPONENT PNEUMATIC DISPENSER IS DESIGNED FOR USE WITH BOTH SACHET AND BULK MATERIALS GIVING YOU COMPLETE FLEXIBILITY.

## SPECIFICATIONS

- Weight: 1.68 kg / 3.7 lbs
- Frame Length: 368 mm / 11.5 in
- Maximum Thrust: 1.6 kN
- Maximum Pneumatic Pressure: 8 bar / 116 psi
- Air Consumption: 40 litres/min
- Handle Material: Aluminium
- Barrel Material: Steel
- Tool Component Approvals: CE
- Sachet/Bulk Capacity: 400 mL, 600 mL
- Standard Color: Grey
- Customized versions on demand

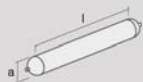
## DIMENSIONS



Part number	Article number	Packaging
DP1K 600-bu-160-001	151776	1 per box, 10 per master carton

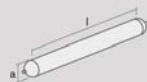
## MATCHING MIXPAC™ CARTRIDGES

## COMPATIBLE CARTRIDGES AND SACHETS



Sachet  
400 mL

	mm	inch
l	258.0	10.16
a	Ø 50.0	Ø 1.97



Sachet  
600 mL

	mm	inch
l	335.0	13.2
a	Ø 50.0	Ø 2.0



Bulk  
400–4000 mL

## CONVERSION KITS

## MATCHING ACCESSORIES

Dispenser Hook / Pistons / Nozzles on pages 40–41

# MK™ DISPENSER ACCESSORIES






MAKE THE MOST OF YOUR DISPENSER WITH THE FOLLOWING RANGE OF MK ACCESSORIES.

	Name/Description	Part Number	Compatible with
<b>Nozzles</b>			
	<b>Plastic Nozzle</b> Plastic nozzle adaptable with our H2, T20, T16 XMK 1-component dispensers.	152517	H2, T20, T16 X, H3
	<b>Plastic Nozzle</b> Adaptable with many of our 1-component MK caulking dispensers (except the H2, T20 and T16 X).	152525	H2 PS, H2 PSA, H3 PS, H3 PSA, H212 P, H2 P, H3 P, T22 XP
<b>Pistons</b>			
	<b>Piston for Cartridge</b>	152549	H212 P, H245, H2 PSA, H3 PSA, H14 RS, H2 PS, H3 PS, H40 PS, H2 PSA
	<b>Piston for Sachets &amp; Bulk</b>	152539	H3, H2, T20
	<b>Piston for Sachets &amp; Bulk</b>	152543	T22 XP
	<b>Click ON/OFF Piston</b> Easy conversion for cartridge to sachet	152544	H2 PS, H2 P, H3 P, H3 PSA, H3 PSA, H3 PS, H212 P
<b>General accessories</b>			
	<b>Sealing Stick / Wood</b> The wood Sealing Stick is available in the following standard dimensions: 6 mm, 8 mm, 10 mm, 15 mm, 20 mm, 25 mm, 30 mm, 40 mm	094	Tool for all applications
	<b>Dispenser Hook</b>	152980	All manual and pneumatic dispensers – with cylinder.
	<b>Union Cut</b>	152981	H2



# MK™ DISPENSER ACCESSORIES

MAKE THE MOST OF YOUR DISPENSER WITH THE FOLLOWING RANGE OF MK ACCESSORIES.

Name/Description	Part Number	Compatible with
<b>General accessories</b>		
 Union Cut with Bayonet	152557	H2
 Gasket	152972	H3, H2, T20
 Gasket	178907	T20
 End Cap	152552	H2 P, H3 P, H2 PS, H2 PSA, H3 PS, H3 PSA, H212 P, T22 XP
 Peeler End Cap For use with Mixpeel 280mL 1:1 cartridges with offset nozzle	184409	H2 P, H3 P, H2 PS, H2 PSA, H3 PS, H3 PSA, H212 P

## WARRANTY STATEMENT

medmix offers a (2) year manufacturing warranty effective at the date of invoice. medmix will repair or replace any product which examination proves to be a manufacture defect.

### LIMITATIONS:

**This warranty does not cover:**

1. Repairs made or attempted by other than medmix UK Ltd. or Authorized Service Centre
2. Normal wear and tear
3. Misuse
4. Improper maintenance
5. Continued use after partial failure
6. Tools that have been modified or used with improper accessories

Should a problem develop while still under warranty, return the complete product to medmix UK Ltd. freight prepaid and insured. If inspection shows the problem has been caused by a defect in manufacture, all repairs, or a replacement will be made, at no charge and the product will be returned, transportation prepaid. No other warranty, written or verbal, is authorized.

The repair and replacement remedies described herein are exclusive. In no event shall medmix UK Ltd. be liable for any incidental, special, or consequential damages, including loss of profits, loss of use or loss of production.

This warranty is in lieu of all other warranties, expressed or implied including without limitation the implied warranties of merchantability and fitness for a particular purpose, which are expressly disclaimed.

# DELIVERING INNOVATION. INSPIRING CONFIDENCE.

## EUROPE

### medmix Switzerland AG

Ruetistrasse 7

9469 Haag, Switzerland

Phone +41 81 414 70 00

[sales.industry@medmix.com](mailto:sales.industry@medmix.com)

[www.medmix.swiss](http://www.medmix.swiss)

## USA, SOUTH AMERICA, CANADA AND MEXICO

### medmix USA Inc.

8 Willow St.

Salem, NH 03079, USA

Phone +1 603 893 2727

[sales.industry@medmix.com](mailto:sales.industry@medmix.com)

[www.medmix.swiss](http://www.medmix.swiss)

## UK AND IRELAND

### medmix UK Ltd.

1 Tealgate, Charnham Park, Hungerford

Berkshire, RG17 0YT, United Kingdom

Phone: +44 (0)1488 647 800

[sales.industry@medmix.com](mailto:sales.industry@medmix.com)

[www.coxdispensers.com](http://www.coxdispensers.com)

## ASIA PACIFIC

### medmix China Ltd.

68 Bei Dou Lu, Minhang Shanghai

200245, China

Phone: +86 21 6430 68 68

[sales.industry@medmix.com](mailto:sales.industry@medmix.com)

[www.medmix.swiss](http://www.medmix.swiss)



Legal Notice: This brochure is a general presentation. The information contained in this publication is believed to be accurate and reliable but is not to be construed as implying any warranty or guarantee of performance. We waive any liability and indemnity for effects resulting from its application. Please, contact us for a description of the warranties and guarantees offered with our products. Directions for use and safety will be given separately. All information herein is subject to change without notice.

© 2022 medmix Switzerland AG All rights reserved.

medmix is a trademark belonging to medmix AG, and MK is a trademark belonging to medmix Switzerland AG.