

Made in the USA

MERIT[®]TOOL

POWER PUSH[®]

CORDLESS DISPENSING PRODUCTS

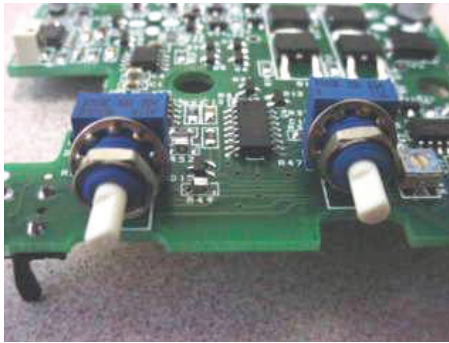
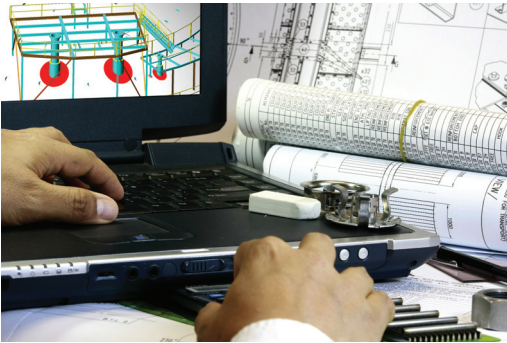
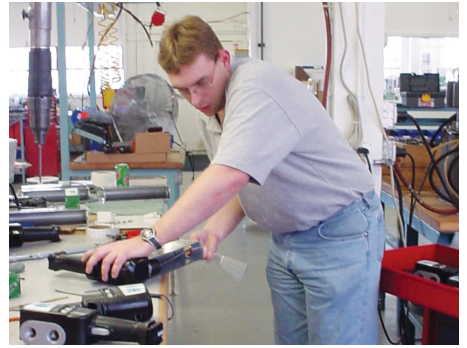
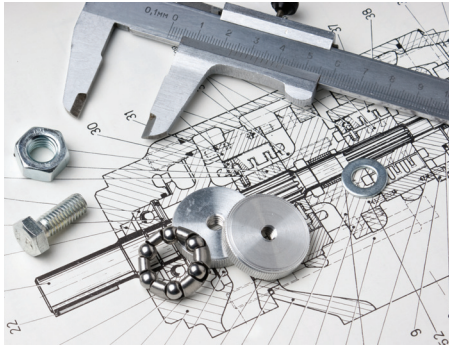
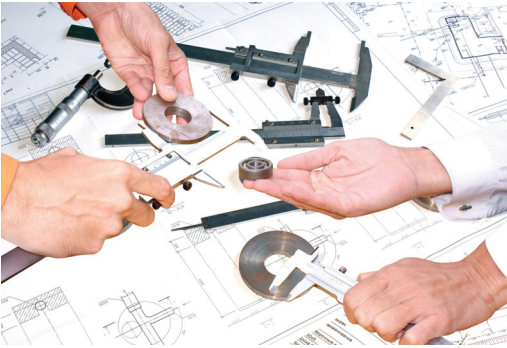
NO HOSE - NO HASSLE[™]



Cordless Dispensing Products • PowerPush[®] NO HOSE-NO HASSLE[™] • Ellicottville, NY • 716-542-8341 • sales@meritool.com



CORDLESS DISPENSING PRODUCTS



About Meritool®

Meritool traces its roots back to 1949, and has specialized in the design, development, and manufacture of customized hand and power tools for customers in North America, Europe, and Asia since 1993. We are the leader in quality battery operated dispensing tools, having eight patents issued in battery and pneumatic dispensing technology, with additional patents pending. We continue our proud tradition of being crafted in the USA, as our manufacturing facility is located in Ellicottville, NY.

Battery operated equipment has grown in popularity as today's construction industry transitions to function economically and with on-demand portable products. Meritool has engineered a new line of battery operated caulk dispensers to meet this growing market and to provide users with a high force, high speed method of dispensing a variety of materials. Several variations of the battery design continue to be offered in markets such as automotive glass, chemical anchoring, epoxy injection, as well as construction applications.

With the launch of the PowerPush® 7000 series in 2003, Meritool has successfully offered the world's first two component battery dispensing tool. With its extreme high force capability and portable design, the 7000 series has been the tool of choice for all professional sectors, and in many industries has provided a suitable alternative to traditional air and manual tools.

Our team of product development engineers uses paperless design including CAD ProE Wildfire, FEA Pro Mechanica, SLA SLS Prototyping, as well as automated instrumented test equipment and extensive field trial programs. Meritool continues to improve upon existing designs, as well as poise itself for the future by engineering and launching more cordless solutions into the market within the coming year.

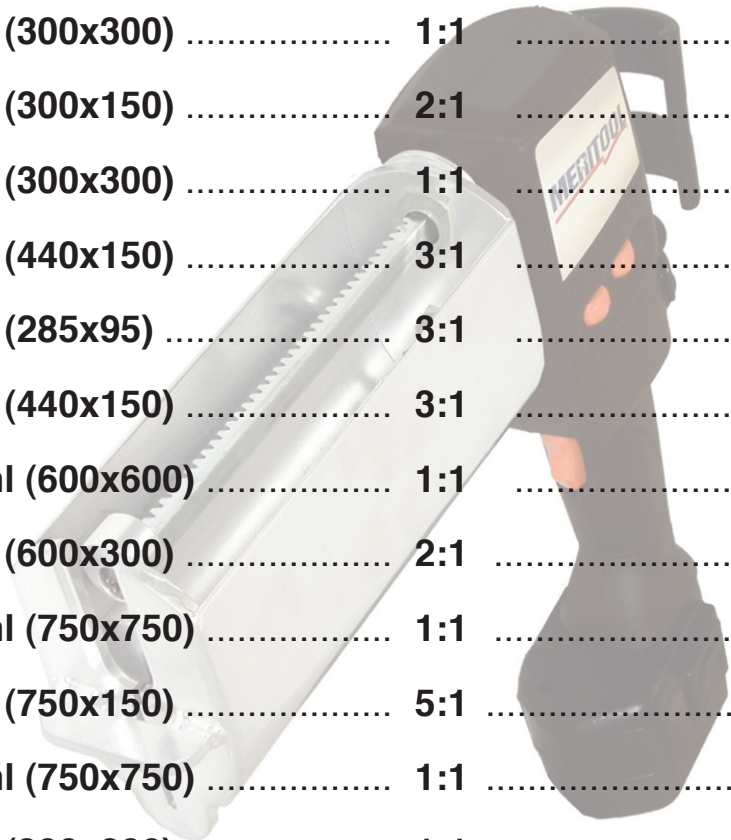


INDEX

Page

POWER PUSH® Features and Benefits 4

<i>Model #</i>	<i>Cartridge Size</i>	<i>Mix Ratio</i>	
7010	875ml (750x75)	10:1	5
7015	300ml (150x150)	1:1	5
7020	400ml (200x200)	1:1	6
7030-11	600ml (300x300)	1:1	6
7030-21	450ml (300x150)	2:1	7
7030T	600ml (300x300)	1:1	7
7031	585ml (440x150)	3:1	8
7032	385ml (285x95)	3:1	8
7033	585ml (440x150)	3:1	9
7060-11	1200ml (600x600)	1:1	9
7060-21	900ml (600x300)	2:1	10
7075-11	1500ml (750x750)	1:1	10
7075-51	900ml (750x150)	5:1	11
7075-EXT	1500ml (750x750)	1:1	11
7090-11	400ml (200x200)	1:1	12
7090-21	400ml (270x135)	2:1	12
7090-41	400ml (340x85)	4:1	13
7090-101	400ml (450x45)	10:1	13



POWER PUSH® Accessories 14

Notes/Disclaimer 15



About PowerPush®

The PowerPush® 7000 series is the first cordless power tool engineered and designed from the ground up for demanding two component adhesive and sealant dispensing.

Featuring the patented directdrive® system, the PowerPush™ 7000 series delivers efficient, precise and commanding dispensing, with power beyond the most ample air tools. With models available to accommodate cartridge capacities from 300ml to 1500ml, the PowerPush® 7000 tools cover a wide range of market applications. These tools feature variable speed control, rapid rack release, dosing control, and high force capability, which allow the tool to mix and dispense efficiently and accurately.

The PowerPush® 7000 tools feature cordless convenience, all weather power, and a quick-charge system with long life batteries. Recharging can be done from either household current or from a 12V cigarette lighter. It is the ultimate in reliability, versatility, and portability, and is designed for continuous duty use.

NO HOSE - NO HASSLE™

NO HOSE - NO HASSLE™, the PowerPush® 7000 provides the ultimate portable power for demanding two component adhesive and sealant dispensing.

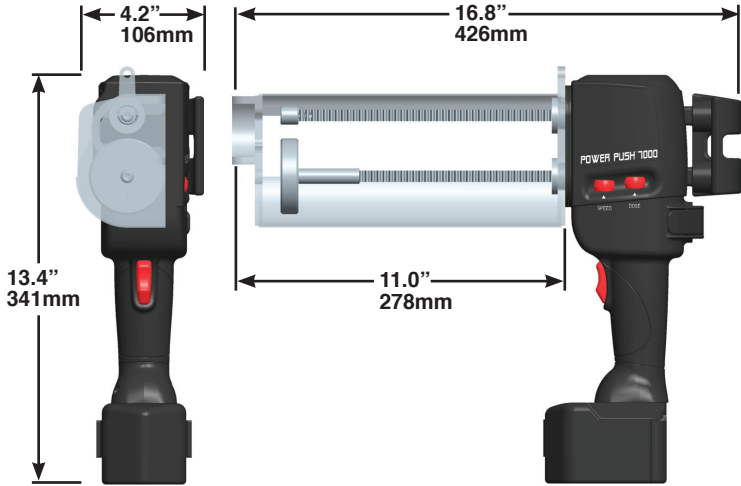


Features and Benefits:

- Cordless convenience
- Dual direct drive rack system assures precise mixture control
- Direct planetary gear drive system for reliable operation
- High force capability affirms low temperature performance
- Patented design force and speed controlled circuitry for maximum output
- Anti-drip feature eliminates messy run-on
- Dosing on or off control ensures straight bead application or repeatable shot size (specify at order point)
- Locking rack release clutch for easy rack retraction
- Includes 14V NiCd battery and charger
- Accessories available



Model #7010 2K Dispenser

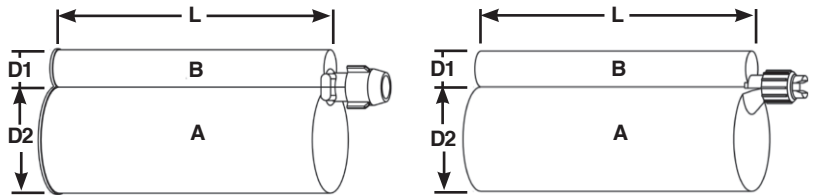


Technical Specifications:

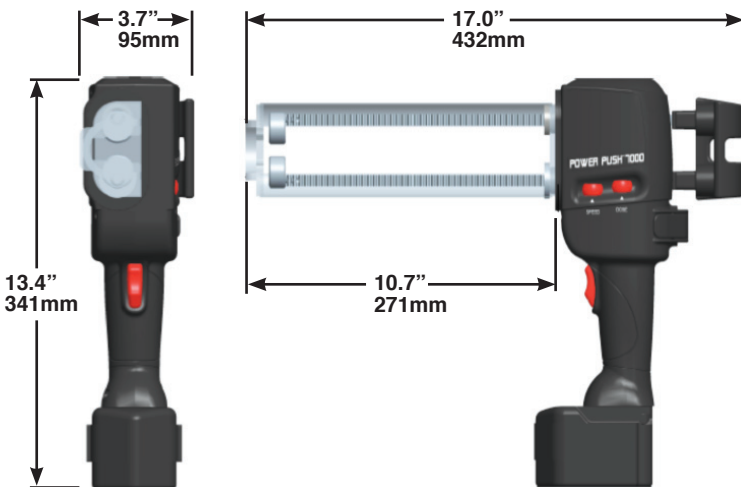
- Capacity: 28oz
- Ratio: 10:1 (750x75ml)
- Weight: 9.2 lbs (4.2 kg)
- Dimensions: 16.8 x 4.2 x 13.4" (426 x 106 x 341mm)
- Thrust: Factory set up to 1,800 lbs (8kN)
- Speed: Variable up to 6"/min (2.5mm/sec)
- Battery: 14.4V NiCd or 14.4V NiMH
- Charger: One hour quick charge 110V (240V model available)
- Battery Capacity: Up to 30 cartridge sets (material dependent)
- Dosing Limits: Variable from 3 to 32 seconds
- Side load cartridge holder

Cartridge Compatibility:

- Nominal Size: 875ml
- L Dimension: 215mm
- A Capacity: 750ml
- B Capacity: 75ml
- Ratio: 10:1
- D1 Dimension: 28mm
- D2 Dimension: 79mm
- Strap Hook



Model #7015 2K Dispenser

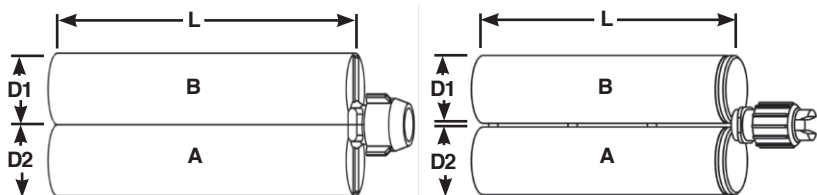


Technical Specifications:

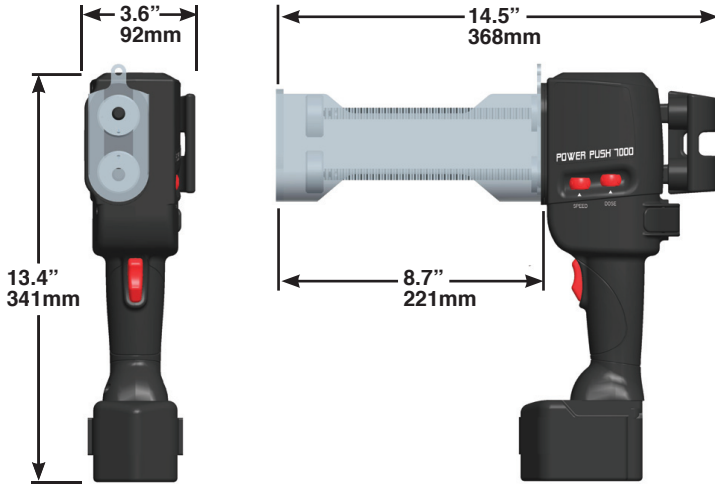
- Capacity: 11oz
- Ratio: 1:1 (150x150ml)
- Weight: 7.8 lbs (3.5 kg)
- Dimensions: 17 x 3.7 x 13.4" (432 x 95 x 341mm)
- Thrust: Factory set up to 1,800 lbs (8kN)
- Speed: Variable up to 6"/min (2.5mm/sec)
- Battery: 14.4V NiCd or 14.4V NiMH
- Charger: One hour quick charge 110V (240V model available)
- Battery Capacity: Up to 30 cartridge sets (material dependent)
- Dosing Limits: Variable from 3 to 32 seconds
- Side load cartridge holder

Cartridge Compatibility:

- Nominal Size: 300ml
- L Dimension: 215mm
- A Capacity: 150ml
- B Capacity: 150ml
- Ratio: 1:1
- D1 Dimension: 38mm
- D2 Dimension: 38mm



Model #7020 Dispenser

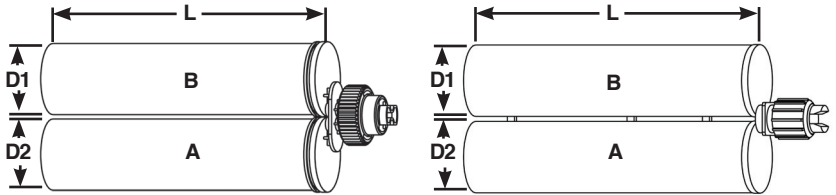


Technical Specifications:

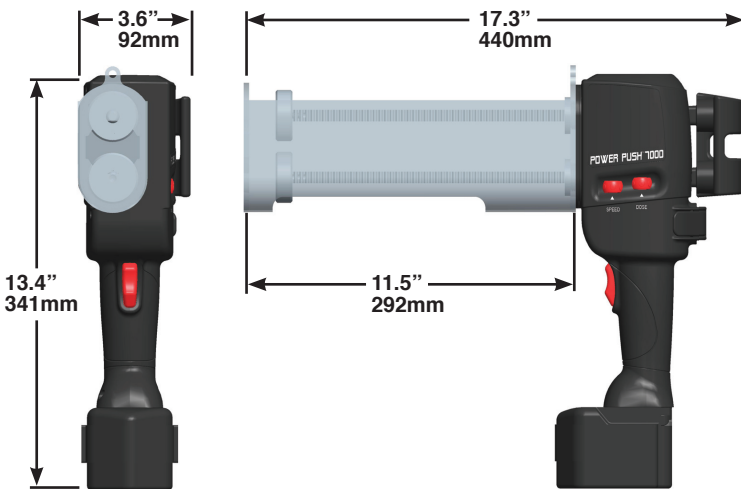
- Capacity: 13.5oz
- Ratio: 1:1 (200x200ml)
- Weight: 6.3 lbs (2.8 kg)
- Dimensions: 14.5 x 3.6 x 13.4" (368 x 92 x 341mm)
- Thrust: Factory set up to 1,800 lbs (8kN)
- Speed: Variable up to 6"/min (2.5mm/sec)
- Battery: 14.4V NiCd or 14.4V NiMH
- Charger: One hour quick charge 110V (240V model available)
- Battery Capacity: Up to 30 cartridge sets (material dependent)
- Dosing Limits: Variable from 3 to 32 seconds
- Top load - drop in cartridge holder

Cartridge Compatibility:

- Nominal Size: 400ml
- L Dimension: 183mm
- A Capacity: 200ml
- B Capacity: 200ml
- Ratio: 1:1
- D1 Dimension: 44mm
- D2 Dimension: 44mm
- Strap Hook



Model #7030-11 Dispenser

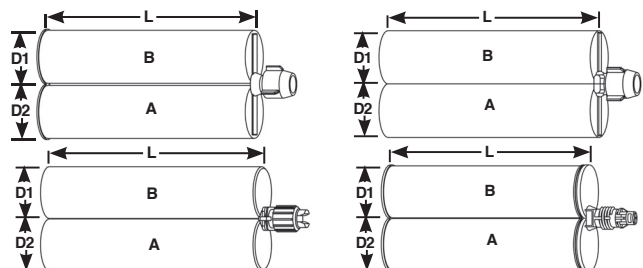


Technical Specifications:

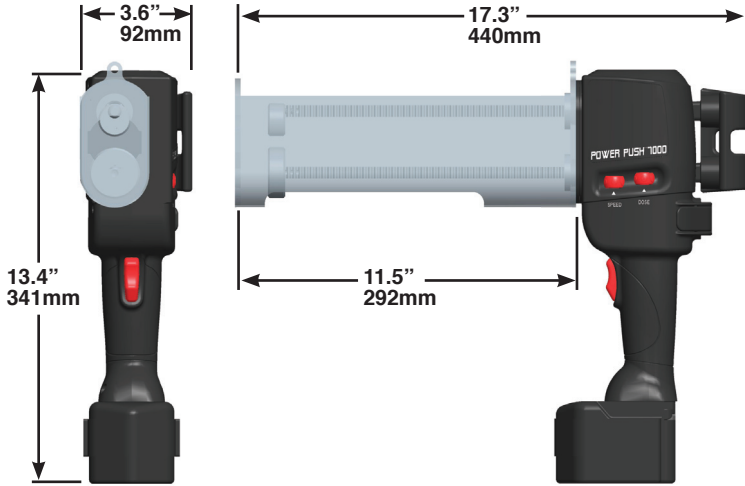
- Capacity: 22oz
- Ratio: 1:1 (300x300ml)
- Weight: 8.4 lbs (3.8 kg)
- Dimensions: 17.3 x 3.6 x 13.4" (440 x 92 x 341mm)
- Thrust: Factory set up to 1,800 lbs (8kN)
- Speed: Variable up to 6"/min (2.5mm/sec)
- Battery: 14.4V NiCd or 14.4V NiMH
- Charger: One hour quick charge 110V (240V model available)
- Battery Capacity: Up to 30 cartridge sets (material dependent)
- Dosing Limits: Variable from 3 to 32 seconds
- Top load cartridge holder

Cartridge Compatibility:

- Nominal Size: 600ml
- L Dimension: 215mm
- A Capacity: 300ml
- B Capacity: 300ml
- Ratio: 1:1
- D1 Dimension: 51mm
- D2 Dimension: 51mm
- Strap Hook



Model #7030-21 Dispenser

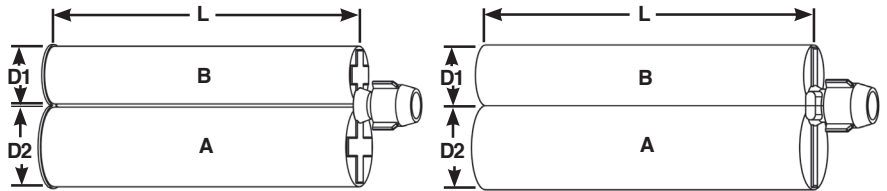


Technical Specifications:

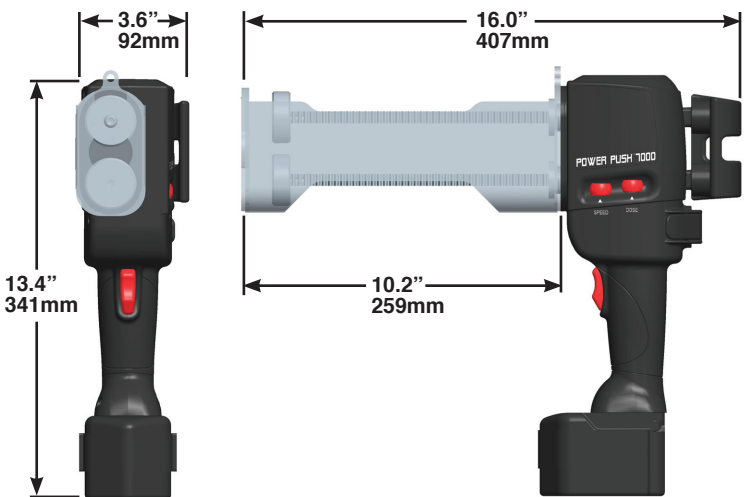
- Capacity: 15.2oz
- Ratio: 2:1 (300x150ml)
- Weight: 8.3 lbs (3.8 kg)
- Dimensions: 17.3 x 3.6 x 13.4" (440 x 92 x 341mm)
- Thrust: Factory set up to 1,800 lbs (8kN)
- Speed: Variable up to 6"/min (2.5mm/sec)
- Battery: 14.4V NiCd or 14.4V NiMH
- Charger: One hour quick charge 110V (240V model available)
- Battery Capacity: Up to 30 cartridge sets (material dependent)
- Dosing Limits: Variable from 3 to 32 seconds
- Top load cartridge holder

Cartridge Compatibility:

- Nominal Size: 450ml
- L Dimension: 215mm
- A Capacity: 300ml
- B Capacity: 150ml
- Ratio: 2:1
- D1 Dimension: 38mm
- D2 Dimension: 51mm
- Strap Hook



Model #7030T Dispenser

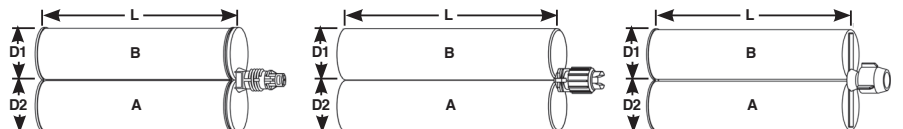


Technical Specifications:

- Capacity: 22oz
- Ratio: 1:1 (300x300ml)
- Weight: 8.8 lbs (4.0 kg)
- Dimensions: 16.0 x 3.6 x 13.4" (407 x 92 x 341mm)
- Thrust: Factory set up to 1,800 lbs (8kN)
- Speed: Variable up to 6"/min (2.5mm/sec)
- Battery: 14.4V NiCd or 14.4V NiMH
- Charger: One hour quick charge 110V (240V model available)
- Battery Capacity: Up to 30 cartridge sets (material dependent)
- Dosing Limits: Variable from 3 to 32 seconds
- Top load - drop in cartridge holder

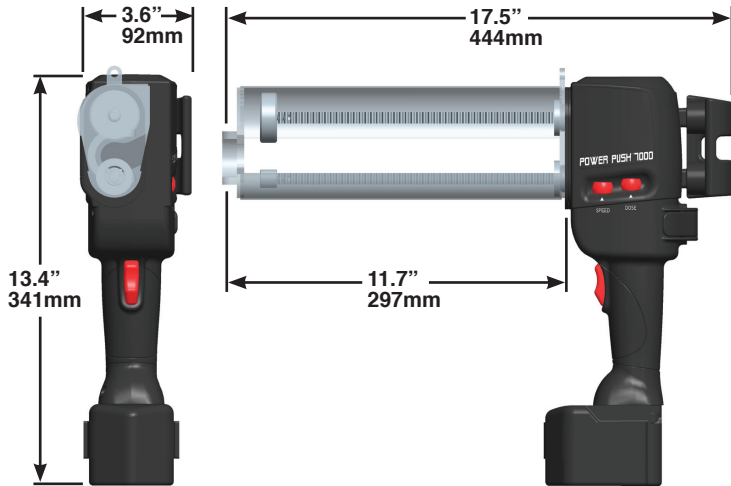
Cartridge Compatibility:

- Nominal Size: 600ml
- L Dimension: 215mm
- A Capacity: 300ml
- B Capacity: 300ml
- Ratio: 1:1
- D1 Dimension: 51mm
- D2 Dimension: 51mm
- Strap Hook





Model #7031 Dispenser

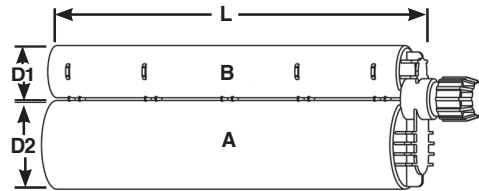


Technical Specifications:

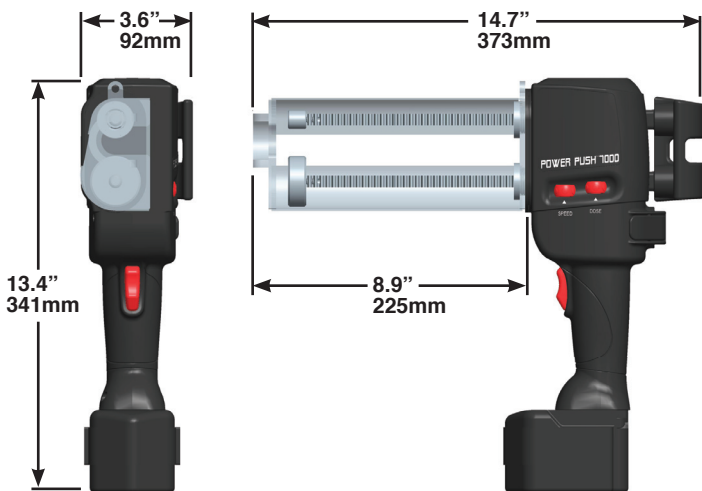
- Capacity: 20oz
- Ratio: 3:1 (440x150ml)
- Weight: 9.0 lbs (4.1 kg)
- Dimensions: 17.5 x 3.6 x 13.4" (444 x 92 x 341mm)
- Thrust: Factory set up to 1,800 lbs (8kN)
- Speed: Variable up to 6"/min (2.5mm/sec)
- Battery: 14.4V NiCd or 14.4V NiMH
- Charger: One hour quick charge 110V (240V model available)
- Battery Capacity: Up to 30 cartridge sets (material dependent)
- Dosing Limits: Variable from 3 to 32 seconds
- Side load cartridge holder

Cartridge Compatibility:

- Nominal Size: 585ml
- L Dimension: 247mm
- A Capacity: 440ml
- B Capacity: 150ml
- Ratio: 3:1
- D1 Dimension: 54mm
- D2 Dimension: 32mm
- Strap Hook



Model #7032 Dispenser

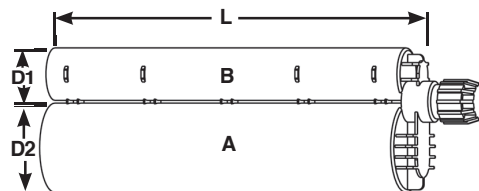


Technical Specifications:

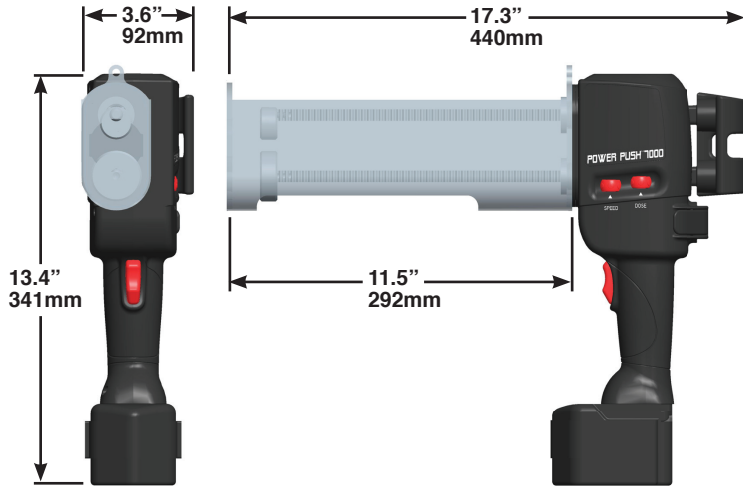
- Capacity: 13oz
- Ratio: 3:1 (285x95ml)
- Weight: 7.7 lbs (3.5 kg)
- Dimensions: 14.7 x 3.6 x 13.4" (373 x 92 x 341mm)
- Thrust: Factory set up to 1,800 lbs (8kN)
- Speed: Variable up to 6"/min (2.5mm/sec)
- Battery: 14.4V NiCd or 14.4V NiMH
- Charger: One hour quick charge 110V (240V model available)
- Battery Capacity: Up to 30 cartridge sets (material dependent)
- Dosing Limits: Variable from 3 to 32 seconds
- Side load cartridge holder

Cartridge Compatibility:

- Nominal Size: 385ml
- L Dimension: 171mm
- A Capacity: 285ml
- B Capacity: 95ml
- Ratio: 3:1
- D1 Dimension: 32mm
- D2 Dimension: 54mm
- Strap Hook



Model #7033 Dispenser

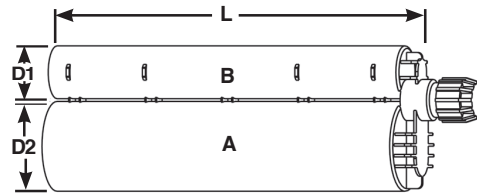


Technical Specifications:

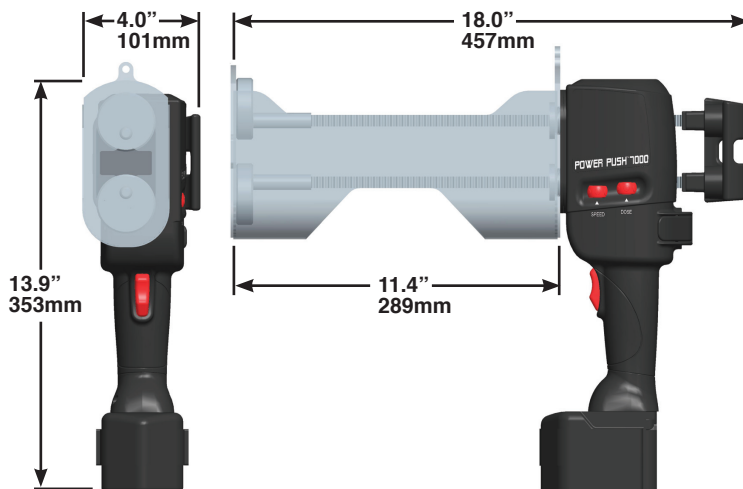
- Capacity: 20oz
- Ratio: 3:1 (439x146ml)
- Weight: 9.0 lbs (4.1 kg)
- Dimensions: 17.3 x 3.6 x 13.4" (440 x 92 x 341mm)
- Thrust: Factory set up to 1,800 lbs (8kN)
- Speed: Variable up to 6"/min (2.5mm/sec)
- Battery: 14.4V NiCd or 14.4V NiMH
- Charger: One hour quick charge 110V (240V model available)
- Battery Capacity: Up to 30 cartridge sets (material dependent)
- Dosing Limits: Variable from 3 to 32 seconds
- Top load cartridge holder

Cartridge Compatibility:

- Nominal Size: 585ml
- L Dimension: 247mm
- A Capacity: 439ml
- B Capacity: 146ml
- Ratio: 3:1
- D1 Dimension: 32mm
- D2 Dimension: 54mm
- Strap Hook



Model #7060-11 Dispenser

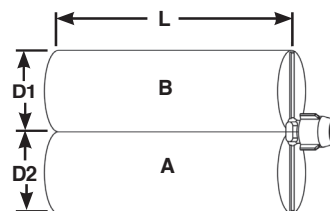


Technical Specifications:

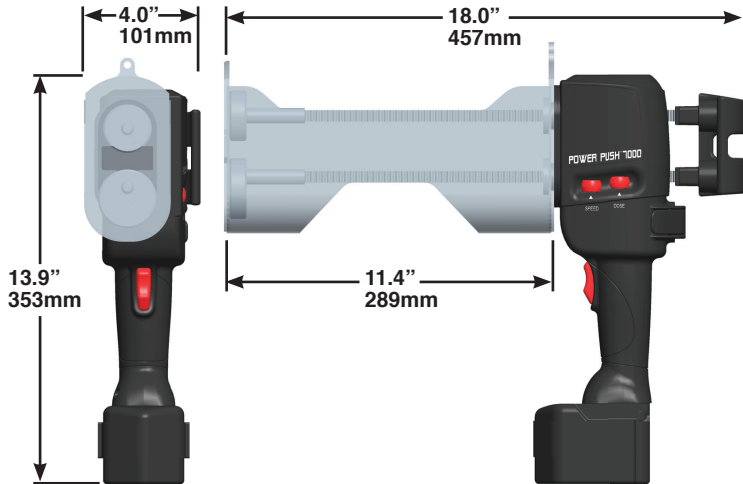
- Capacity: 40oz
- Ratio: 1:1 (600x600ml)
- Weight: 9.3 lbs (4.2 kg)
- Dimensions: 18.0 x 4.0 x 13.9" (457 x 101 x 353mm)
- Thrust: Factory set up to 1,800 lbs (8kN)
- Speed: Variable up to 6"/min (2.5mm/sec)
- Battery: 14.4V NiCd or 14.4V NiMH
- Charger: One hour quick charge 110V (240V model available)
- Battery Capacity: Up to 30 cartridge sets (material dependent)
- Dosing Limits: Variable from 3 to 32 seconds
- Top load cartridge holder

Cartridge Compatibility:

- Nominal Size: 1200ml
- L Dimension: 215mm
- A Capacity: 600ml
- B Capacity: 600ml
- Ratio: 1:1
- D1 Dimension: 71mm
- D2 Dimension: 71mm
- Strap Hook



Model #7060-21 Dispenser

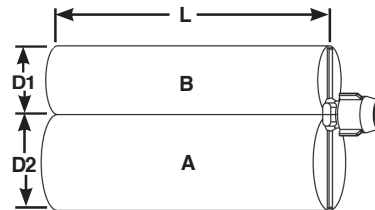


Technical Specifications:

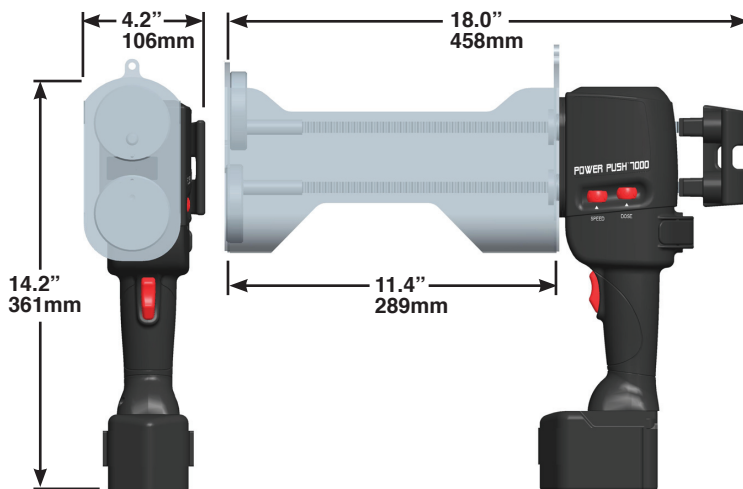
- Capacity: 30oz
- Ratio: 2:1 (600x300ml)
- Weight: 9.3 lbs (4.2 kg)
- Dimensions: 18.0 x 4.0 x 13.9" (457 x 101 x 353mm)
- Thrust: Factory set up to 1,800 lbs (8kN)
- Speed: Variable up to 6"/min (2.5mm/sec)
- Battery: 14.4V NiCd or 14.4V NiMH
- Charger: One hour quick charge 110V (240V model available)
- Battery Capacity: Up to 30 cartridge sets (material dependent)
- Dosing Limits: Variable from 3 to 32 seconds
- Top load cartridge holder

Cartridge Compatibility:

- Nominal Size: 900ml
- L Dimension: 215mm
- A Capacity: 600ml
- B Capacity: 300ml
- Ratio: 2:1
- D1 Dimension: 51mm
- D2 Dimension: 71mm
- Strap Hook



Model #7075-11 Dispenser

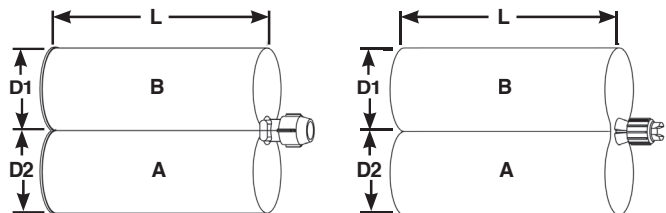


Technical Specifications:

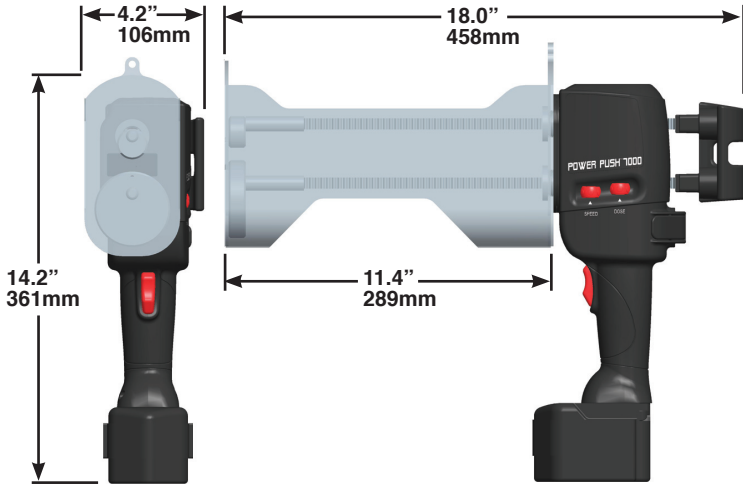
- Capacity: 50oz
- Ratio: 1:1 (750x750ml)
- Weight: 9.5 lbs (4.3 kg)
- Dimensions: 18.0 x 4.2 x 14.2" (458 x 106 x 361mm)
- Thrust: Factory set up to 1,800 lbs (8kN)
- Speed: Variable up to 6"/min (2.5mm/sec)
- Battery: 14.4V NiCd or 14.4V NiMH
- Charger: One hour quick charge 110V (240V model available)
- Battery Capacity: Up to 30 cartridge sets (material dependent)
- Dosing Limits: Variable from 3 to 32 seconds
- Top load cartridge holder

Cartridge Compatibility:

- Nominal Size: 1500ml
- L Dimension: 215mm
- A Capacity: 750ml
- B Capacity: 750ml
- Ratio: 1:1
- D1 Dimension: 79mm
- D2 Dimension: 79mm
- Strap Hook



Model #7075-51 Dispenser

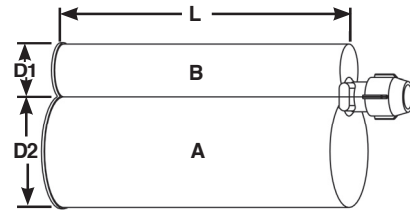


Technical Specifications:

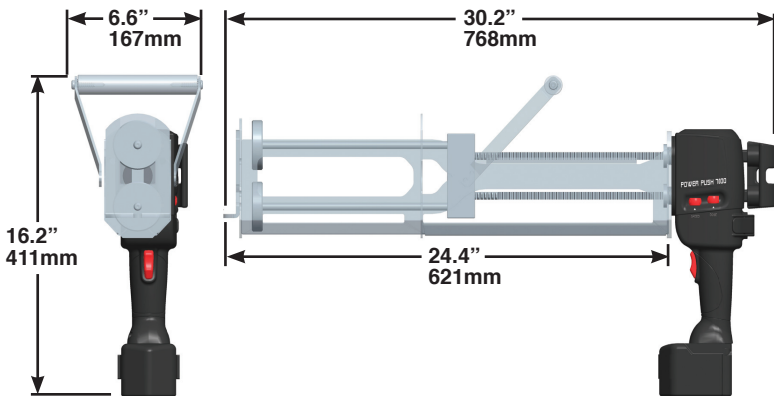
- Capacity: 30oz
- Ratio: 5:1 (750x150ml)
- Weight: 9.5 lbs (4.3 kg)
- Dimensions: 18.0 x 4.2 x 14.2" (458 x 106 x 361mm)
- Thrust: Factory set up to 1,800 lbs (8kN)
- Speed: Variable up to 6"/min (2.5mm/sec)
- Battery: 14.4V NiCd or 14.4V NiMH
- Charger: One hour quick charge 110V (240V model available)
- Battery Capacity: Up to 30 cartridge sets (material dependent)
- Dosing Limits: Variable from 3 to 32 seconds
- Top load cartridge holder

Cartridge Compatibility:

- Nominal Size: 900ml
- L Dimension: 215mm
- A Capacity: 750ml
- B Capacity: 150ml
- Ratio: 5:1
- D1 Dimension: 38mm
- D2 Dimension: 79mm
- Strap Hook



Model #7075-EXT Dispenser

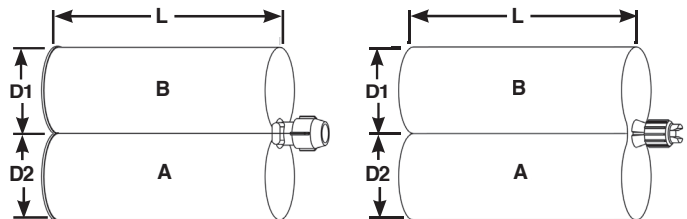


Technical Specifications:

- Capacity: 50oz
- Ratio: 1:1 (750x750ml)
- Weight: 15.3 lbs (7.0 kg)
- Dimensions: 30.2 x 6.6 x 16.2" (768 x 167 x 411mm)
- Thrust: Factory set up to 1,800 lbs (8kN)
- Speed: Variable up to 9"/min (3.75mm/sec)
- Battery: 14.4V NiCd or 14.4V NiMH
- Charger: One hour quick charge 110V (240V model available)
- Battery Capacity: Up to 30 cartridge sets (material dependent)
- Dosing Limits: Variable from 3 to 32 seconds
- Top load - drop in cartridge holder

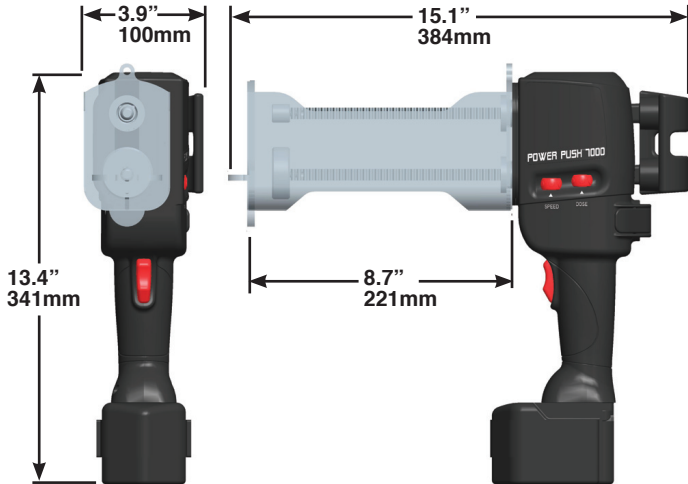
Cartridge Compatibility:

- Nominal Size: 1500ml
- L Dimension: 215mm
- A Capacity: 750ml
- B Capacity: 750ml
- Ratio: 1:1
- D1 Dimension: 79mm
- D2 Dimension: 79mm
- Cartridge Holder Handle





Model #7090-11 Dispenser

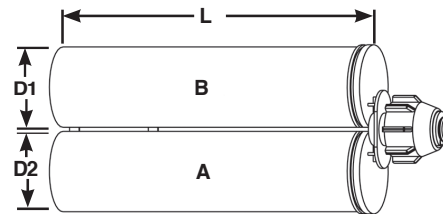


Technical Specifications:

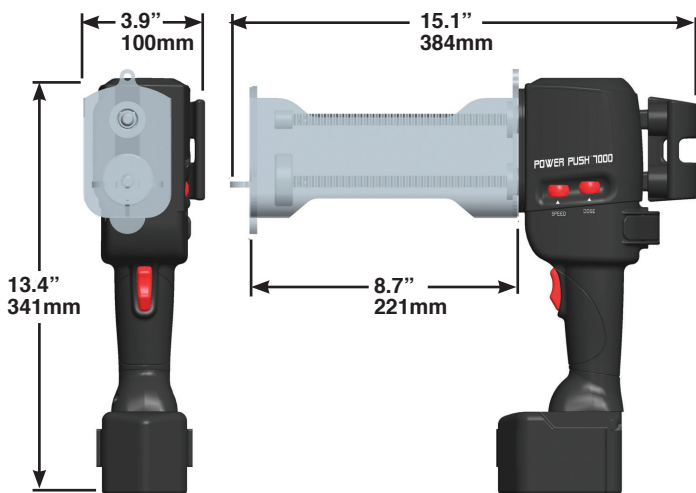
- Capacity: 13.5oz
- Ratio: 1:1 (200x200ml)
- Weight: 8.6 lbs (3.9 kg)
- Dimensions: 15.1 x 3.9 x 13.4" (384 x 100 x 341mm)
- Thrust: Factory set up to 1,800 lbs (8kN)
- Speed: Variable up to 6"/min (2.5mm/sec)
- Battery: 14.4V NiCd or 14.4V NiMH
- Charger: One hour quick charge 110V (240V model available)
- Battery Capacity: Up to 30 cartridge sets (material dependent)
- Dosing Limits: Variable from 3 to 32 seconds
- Top load - drop in cartridge holder

Cartridge Compatibility:

- Nominal Size: 400ml
- L Dimension: 183mm
- A Capacity: 200ml
- B Capacity: 200ml
- Ratio: 1:1
- D1 Dimension: 44mm
- D2 Dimension: 44mm
- Strap Hook



Model #7090-21 Dispenser

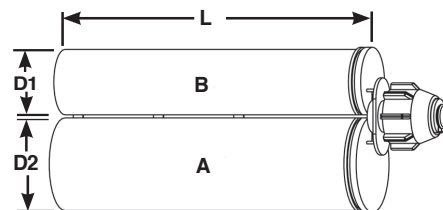


Technical Specifications:

- Capacity: 13.5oz
- Ratio: 2:1 (270x135ml)
- Weight: 8.6 lbs (3.9 kg)
- Dimensions: 15.1 x 3.9 x 13.4" (384 x 100 x 341mm)
- Thrust: Factory set up to 1,800 lbs (8kN)
- Speed: Variable up to 6"/min (2.5mm/sec)
- Battery: 14.4V NiCd or 14.4V NiMH
- Charger: One hour quick charge 110V (240V model available)
- Battery Capacity: Up to 30 cartridge sets (material dependent)
- Dosing Limits: Variable from 3 to 32 seconds
- Top load - drop in cartridge holder

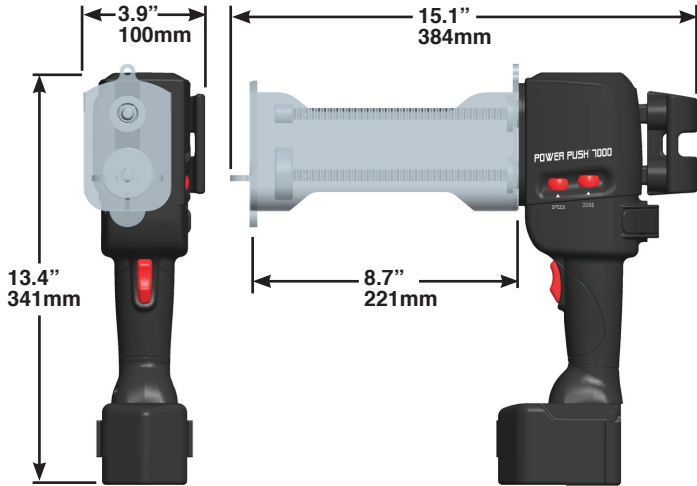
Cartridge Compatibility:

- Nominal Size: 400ml
- L Dimension: 183mm
- A Capacity: 270ml
- B Capacity: 135ml
- Ratio: 2:1
- D1 Dimension: 36mm
- D2 Dimension: 51mm
- Strap Hook





Model #7090-41 Dispenser

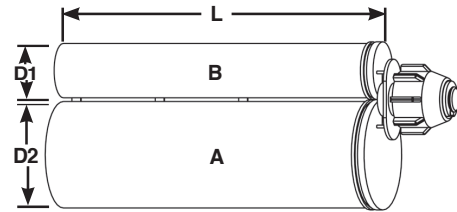


Technical Specifications:

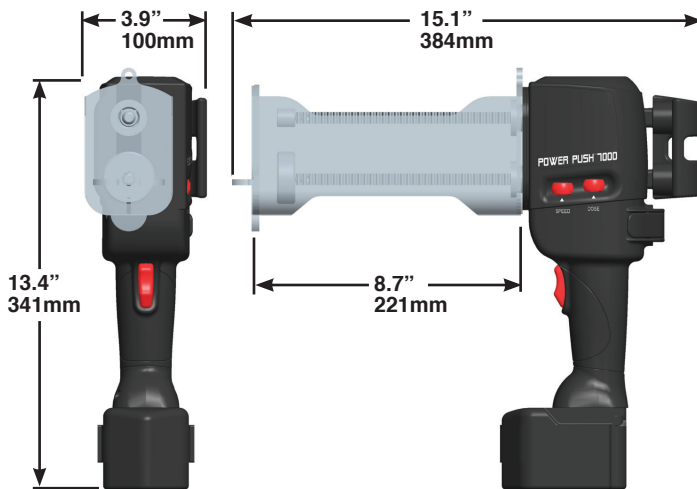
- Capacity: 13.5oz
- Ratio: 4:1 (340x85ml)
- Weight: 8.6 lbs (3.9 kg)
- Dimensions: 15.1 x 3.9 x 13.4" (384 x 100 x 341mm)
- Thrust: Factory set up to 1,800 lbs (8kN)
- Speed: Variable up to 6"/min (2.5mm/sec)
- Battery: 14.4V NiCd or 14.4V NiMH
- Charger: One hour quick charge 110V (240V model available)
- Battery Capacity: Up to 30 cartridge sets (material dependent)
- Dosing Limits: Variable from 3 to 32 seconds
- Top load - drop in cartridge holder

Cartridge Compatibility:

- Nominal Size: 400ml
- L Dimension: 183mm
- A Capacity: 340ml
- B Capacity: 85ml
- Ratio: 4:1
- D1 Dimension: 29mm
- D2 Dimension: 57mm
- Strap Hook



Model #7090-101 Dispenser

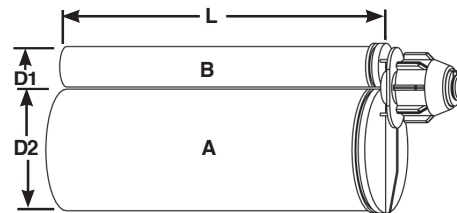


Technical Specifications:

- Capacity: 16.7oz
- Ratio: 10:1 (450x45ml)
- Weight: 8.6 lbs (3.9 kg)
- Dimensions: 15.1 x 3.9 x 13.4" (384 x 100 x 341mm)
- Thrust: Factory set up to 1,800 lbs (8kN)
- Speed: Variable up to 6"/min (2.5mm/sec)
- Battery: 14.4V NiCd or 14.4V NiMH
- Charger: One hour quick charge 110V (240V model available)
- Battery Capacity: Up to 30 cartridge sets (material dependent)
- Dosing Limits: Variable from 3 to 32 seconds
- Top load - drop in cartridge holder

Cartridge Compatibility:

- Nominal Size: 495ml
- L Dimension: 183mm
- A Capacity: 450ml
- B Capacity: 45ml
- Ratio: 10:1
- D1 Dimension: 20mm
- D2 Dimension: 65mm
- Strap Hook





12V AC CHARGER #1020-002



12V DC CHARGER #1020-004



14.4V NiCd BATTERY #1010-003



TOOL STRAP #1040-006



BLACK TOTE #7000-5-003
OTHER COLORS AVAILABLE
CUSTOMIZATION AVAILABLE

NOTES



DISCLAIMER: The data contained herein are furnished for information only and are believed to be reliable. Meritool LLC does not assume responsibility for any results obtained by persons over whose methods Meritool LLC has no control. It is the user's responsibility to determine the suitability of Meritool's products or any usage methods mentioned herein for a particular purpose, and to adopt such precautions as may be advisable for the protection of property and persons against any hazards that may be involved in the handling and use of any Meritool product.



MERIT[★]TOOL[®]

DESIGN, ENGINEERING & MANUFACTURING OF QUALITY HAND & POWER TOOLS

CRAFTED WITH PRIDE IN THE USA



5 Park Avenue, Suite 1, PO Box 745, Ellicottville, NY 14731

Contact: sales@meritool.com

Phone: 716-542-8341 • Fax: 716-699-6337



Cordless Dispensing Products • PowerPush[®] NO HOSE-NO HASSLE[™] • Ellicottville, NY • 716-542-8341 • sales@meritool.com