

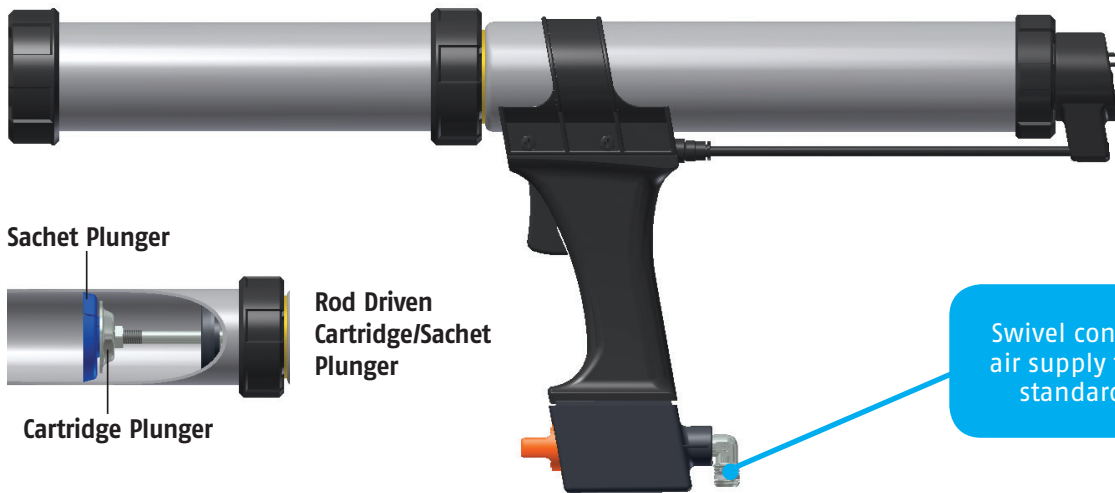
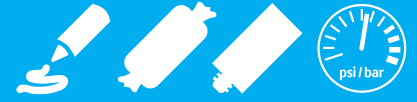


The original

TECHNICAL DATASHEET

Airflow II™ COMBI 310ml

A single component pneumatic bead applicator for cartridges and sachets



Swivel connector with air supply to suit most standard systems

PRODUCT FEATURES:

- Easy conversion between cartridge and sachet use (see instruction leaflet)
- To use with low to medium viscosity materials
- The plunger keeps stable and runs evenly, which supplies a clean and leak-free application
- Inbuilt silencer (less than 70dB)

- Fast and easy pressure regulation for accurate flow control
- 6.8bar (100psi) regulator as standard (others available)

Standard:	6.8 bar (100 psi)	●
Options available:	3.4 bar (50 psi)	●
	5.2 bar (75 psi)	●
	8.5 bar (125 psi)	○

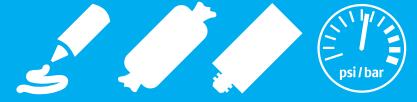
The Cox Airflow 2 is part of a range of pneumatic applicators. Ideally suited to larger scale production line and commercial operations where easy access to compressed air is available, giving substantial productivity gains over manual applicators. The Airflow range provides fast, effortless application and smooth consistent sealant flow for high quality workmanship.

For more information call +44(0)1635 264500
Or visit www.pccox.co.uk



Airflow II™

COMBI 310ml



A single component pneumatic bead applicator for cartridges and sachets

APPLICATIONS:

- For low to medium viscosity
- Cartridge: 1-component
- Cartridge volumes: 310ml
- Sachet volumes: 310ml

SPECIFICATIONS:

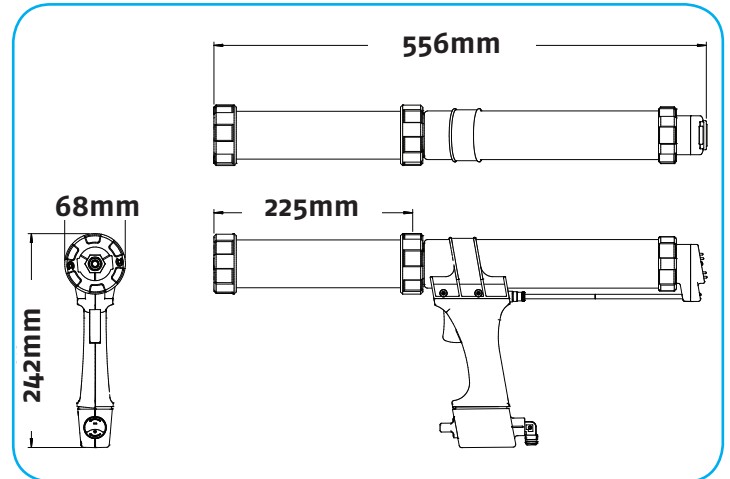
- Max Pneumatic Pressure: 6.8bar (100psi) (others available)
- Barrel Length: 225mm
- Maximum Thrust: 1.45kN
- Tool Weight: 1.30kg
- Tool Material: Black Glass filled nylon handle, silver anodised aluminium barrel
- Certificates: ISO, REACH, CE, EN
- Packaging Options: 1 or 10 per box

WEB LINKS:

- Spare parts diagram
www.pccox.co.uk/en/exploded-diagrams

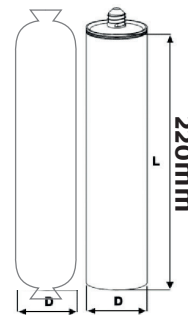
OTHER MODELS AVAILABLE:

- Airflow 2 Cartridge
- Airflow 2 Sachet



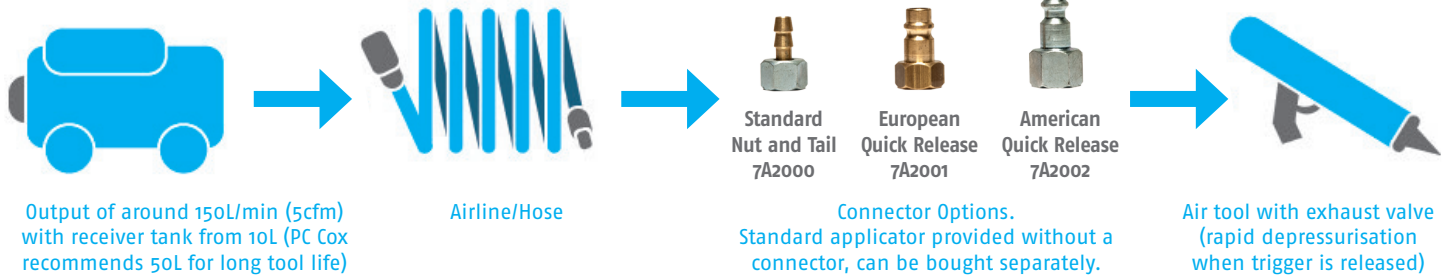
CARTRIDGES/SACHETS:

310ml:



50mm 51mm

COMPRESSOR GUIDE



PC Cox Ltd., Turnpike Road, Newbury, Berkshire, RG14 2LR
 T Sales +44 (0) 1635 264500 F +44 (0) 1635 264555
 E sales@pccox.co.uk
www.pccox.co.uk



The original

