

Easiflow[™]

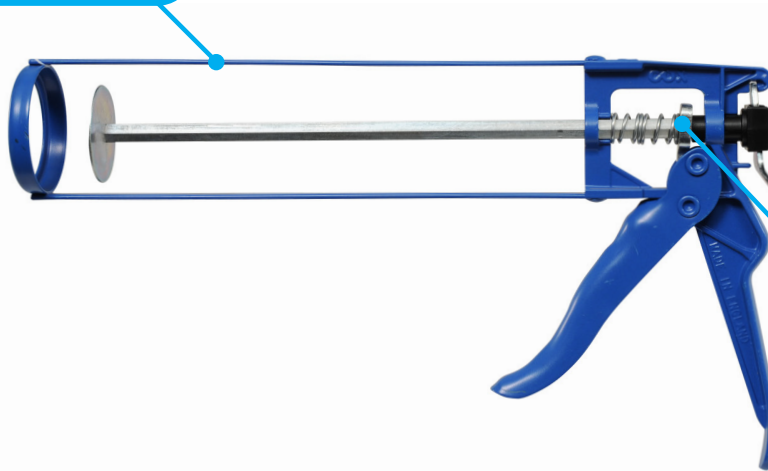
HD 400ml

A single component manual bead applicator for cartridges



Strong \ rigid metal Frame for easier use at maximum load, compared to plastic versions.

Curved rod end (ladder hook) for convenient storage.



Built-in pressure relief device (PRD) to stop material flow when trigger is released.

PRODUCT FEATURES:

- Strong \ rigid metal frame for easier use at maximum load, compared to plastic versions.
- Tough epoxy coated paint finish which is hard wearing and offers scratch resistant tool surfaces.
- Robust catchplate design to maintain a high level of material output, for the working life of the tool.
- Plated metal components which improve corrosion resistance.
- Built-in pressure relief device (PRD) to stop material flow when trigger is released.
- Wear compensation sleeve that protects the catch plate contact area, to reduce long term rod wear.
- Curved rod end (ladder hook) for convenient storage.
- Excellent value for money.

The Cox Easiflow is part of a range of manual applicators. Designed for use with low viscosity sealants and adhesives, the Cox Easiflow is ideal for DIY and semi-professional users.

For more information call +44(0)1635 264500
Or visit www.pccox.co.uk



The original

TECHNICAL DATASHEET

Easiflow™ HD 400ml



A single component manual bead applicator for cartridges

APPLICATIONS:

- For low viscosity
- Cartridge: 1-component
- Cartridge volumes: 310ml & 400ml

SPECIFICATIONS:

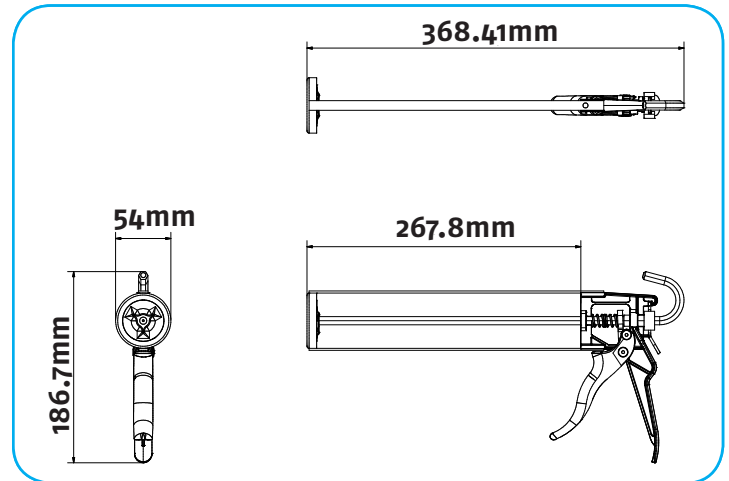
- Mechanical Advantage (ratio): 7:1
- Barrel Length: 267.8mm
- Max Force (Plunger): 1.2kN
- Tool Weight: 0.54 kg
- Tool Material: Epoxy coated steel, epoxy coated steel cradle
- Certificates: ISO 9001:2008, REACH
- Packaging Options: single or 10/12/25 per box

WEB LINKS:

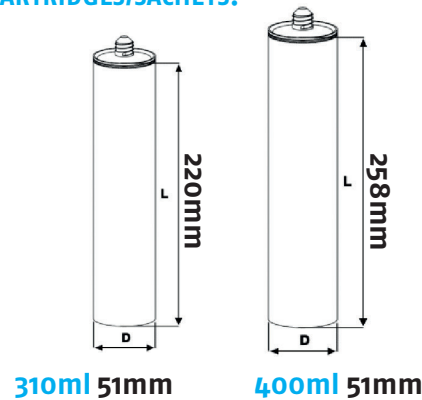
- Images
www.pccox.co.uk/en/easiflow
- Academy video
www.pccox.co.uk/en/cox-academy
- Spare parts diagram
www.pccox.co.uk/en/exploded-diagrams

OTHER MODELS AVAILABLE:

- Easiflow LD
- Easiflow LD Lite
- Easiflow HD Lite



CARTRIDGES/SACHETS:



PRODUCT RANGE BY POWER:



PC Cox Ltd., Turnpike Road, Newbury, Berkshire, RG14 2LR
 T Sales +44 (0) 1635 264500 F +44 (0) 1635 264555
 E sales@pccox.co.uk
 www.pccox.co.uk



©PC Cox Ltd. 2014. Cox is a trademark of PC Cox Ltd. Every effort has been made to ensure that the information contained in this leaflet was correct at the time of going to press. However, the company retains the right to change any specification without notice, in line with the company's policy of continual product development.