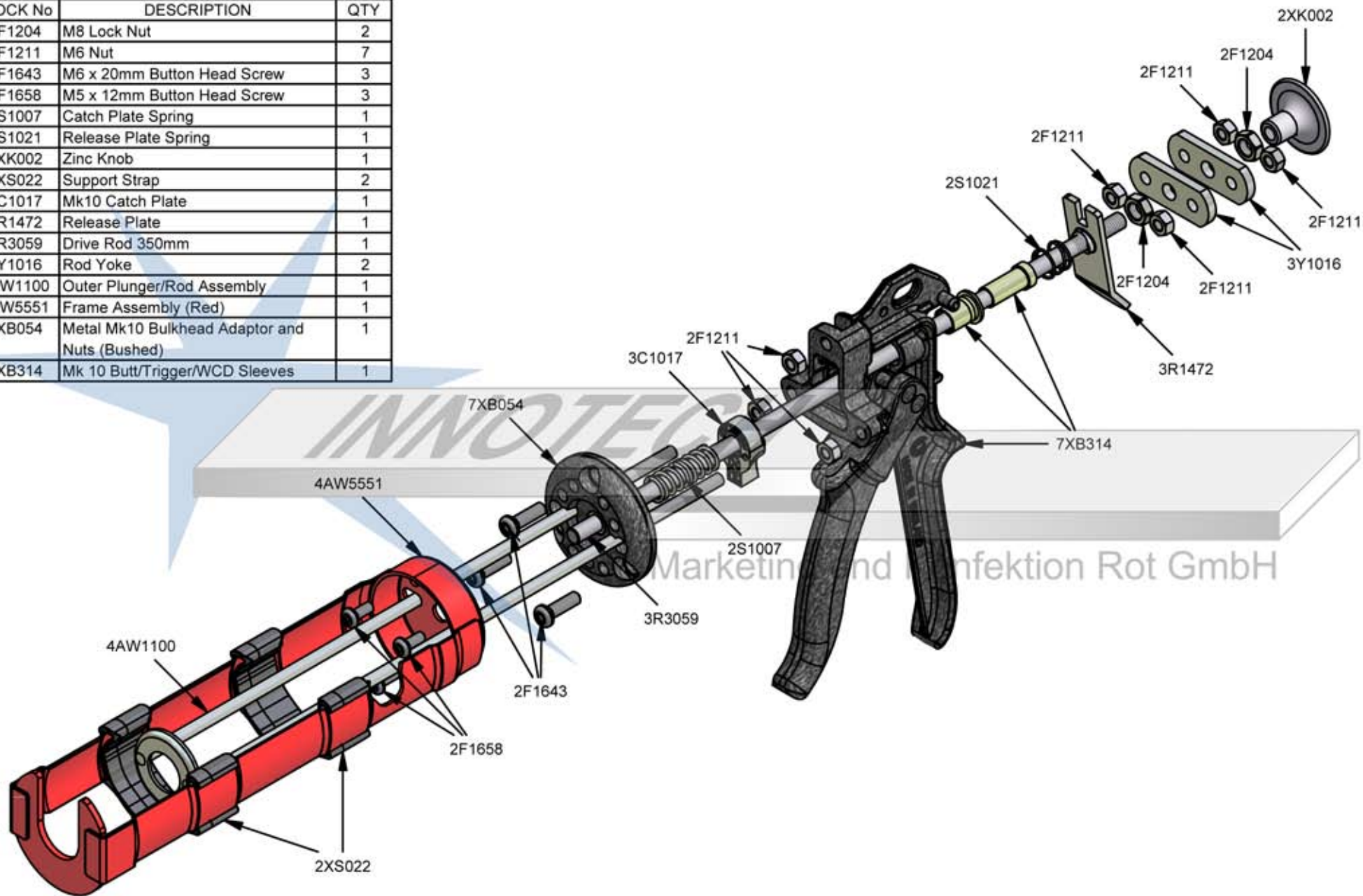


Parts List

STOCK No	DESCRIPTION	QTY
2F1204	M8 Lock Nut	2
2F1211	M6 Nut	7
2F1643	M6 x 20mm Button Head Screw	3
2F1658	M5 x 12mm Button Head Screw	3
2S1007	Catch Plate Spring	1
2S1021	Release Plate Spring	1
2XK002	Zinc Knob	1
2XS022	Support Strap	2
3C1017	Mk10 Catch Plate	1
3R1472	Release Plate	1
3R3059	Drive Rod 350mm	1
3Y1016	Rod Yoke	2
4AW1100	Outer Plunger/Rod Assembly	1
4AW5551	Frame Assembly (Red)	1
7XB054	Metal Mk10 Bulkhead Adaptor and Nuts (Bushed)	1
7XB314	Mk 10 Butt/Trigger/WCD Sleeves	1



CCM 310 X 10



www.pccox.co.uk  
 sales@pccox.co.uk  
 TEL:44(0)1635 264500

REV	DATE
A	26/11/2003