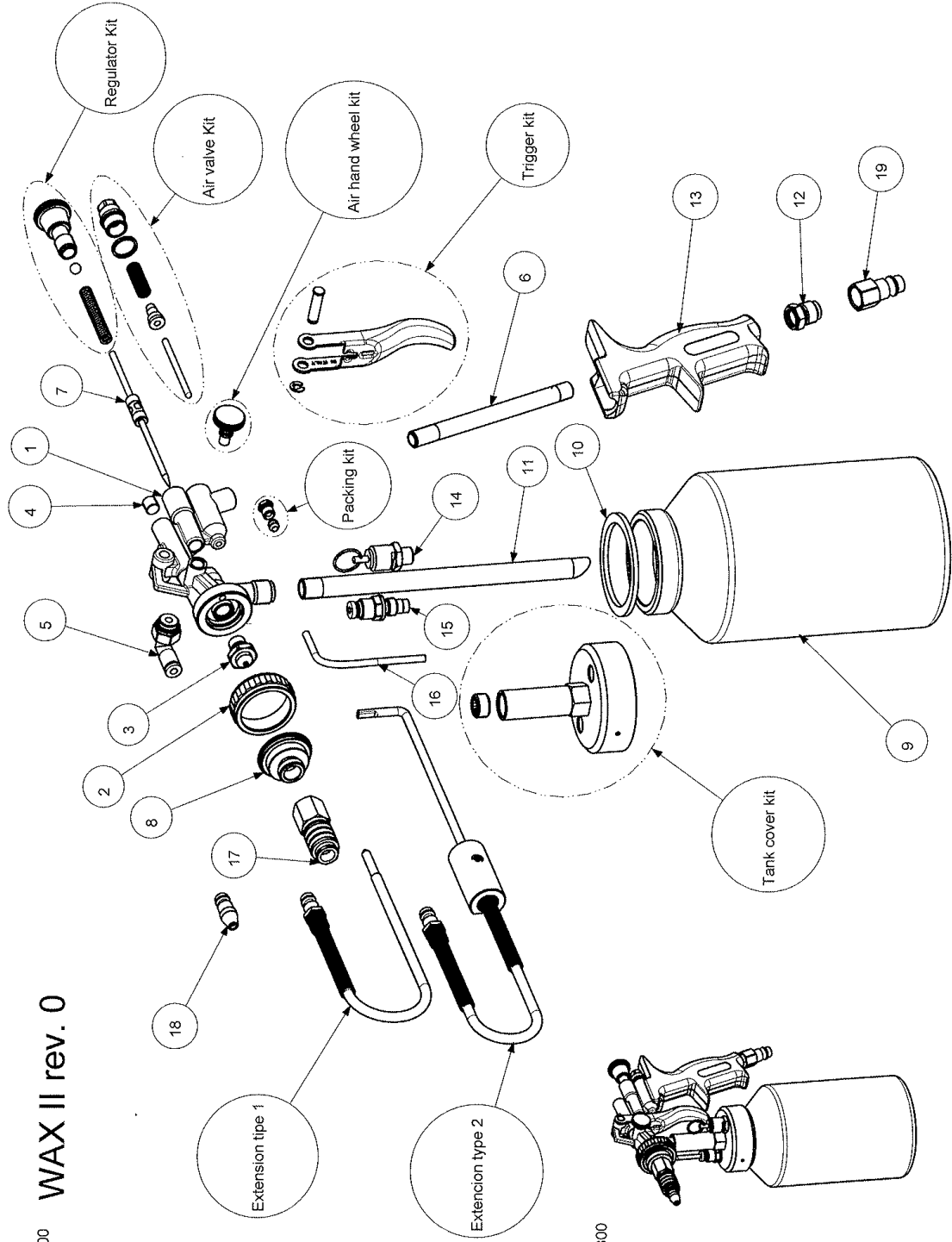


WAX II rev. 0

SCALE 0.500



SCALE 0.300