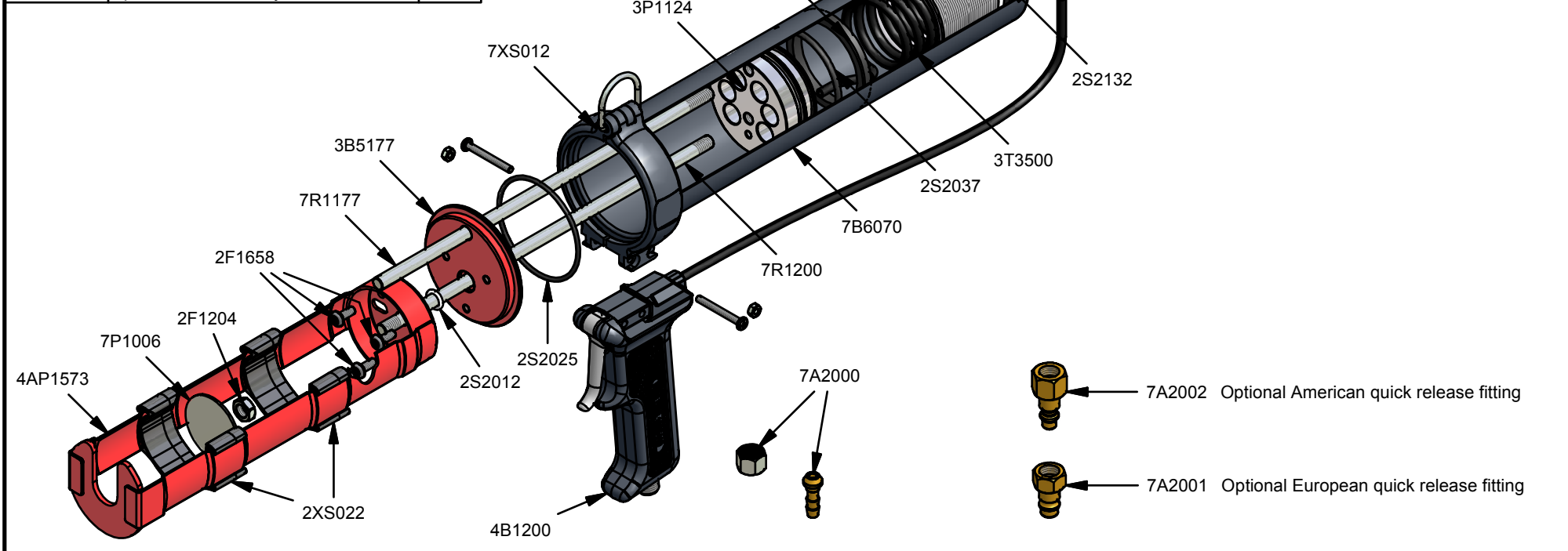


Parts List			Parts List		
STOCK No	DESCRIPTION	QTY	STOCK No	DESCRIPTION	QTY
2F1204	M8 Lock Nut	1	7A2000	Standard Nut and Tail Connection	1
2F1658	M5 x 12mm Button Head Screw	3	7A2001	European Quick Release Fitting Assembly	1
2S2012	O Ring	1	7A2002	US Quick Release Fitting Assembly	1
2S2025	O Ring	1	7B6070	Barrel 305mm	1
2S2037	O Ring	1	7C1001	Air Gun Back Cap	1
2S2132	Reducer Seal	1	7P1006	Plunger 42mm	1
2S2134	U Type Seal	1	7R1177	Plunger Rod 270mm	1
2S2150	Dump Valve Diaphragm	1	7R1200	Rod 267mm	1
2XS022	Support Strap	2	7XS012	Barrel Strap Assembly (inc screws and nuts)	1
3B5177	Bulkhead Bung	1			
3P1124	Piston (Including Air Fitting)	1			
3R4009	Threaded Backing Ring	1			
3R4010	Reducer	1			
3T3500	Coiled Tube	1			
4AP1573	Frame Assembly (Red)	1			
4B1200	Air Gun Butt Assembly	1			
7A1500	Dump Valve Body assembly	1			
7A1503	Regulator Assembly (including O ring and washer)	1			
7A1506	Spool valve assembly	1			



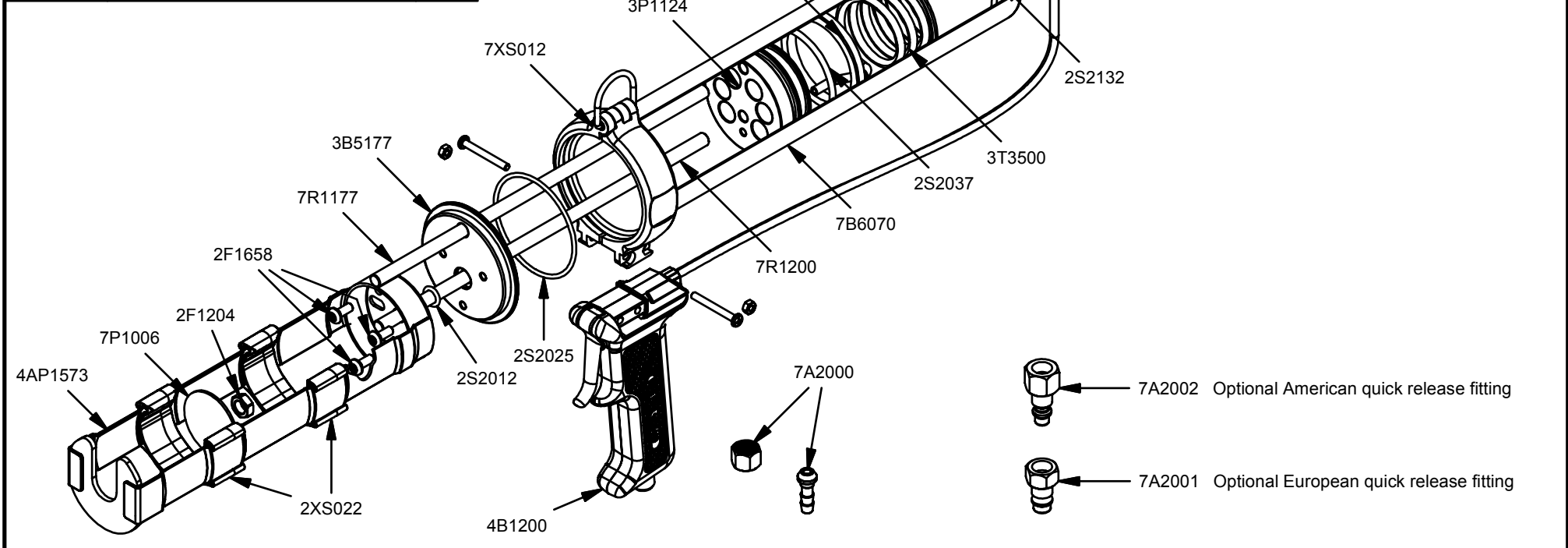
CBA 330A



www.pccox.co.uk  
 sales@pccox.co.uk  
 TEL:44(0)1635 264500

REV	DATE
A	30/09/2003

Parts List			Parts List		
STOCK No	DESCRIPTION	QTY	STOCK No	DESCRIPTION	QTY
2F1204	M8 Lock Nut	1	7A2000	Standard Nut and Tail Connection	1
2F1658	M5 x 12mm Button Head Screw	3	7A2001	European Quick Release Fitting Assembly	1
2S2012	O Ring	1	7A2002	US Quick Release Fitting Assembly	1
2S2025	O Ring	1	7B6070	Barrel 305mm	1
2S2037	O Ring	1	7C1001	Air Gun Back Cap	1
2S2132	Reducer Seal	1	7P1006	Plunger 42mm	1
2S2134	U Type Seal	1	7R1177	Plunger Rod 270mm	1
2S2150	Dump Valve Diaphragm	1	7R1200	Rod 267mm	1
2XS022	Support Strap	2	7XS012	Barrel Strap Assembly (inc screws and nuts)	1
3B5177	Bulkhead Bung	1			
3P1124	Piston (Including Air Fitting)	1			
3R4009	Threaded Backing Ring	1			
3R4010	Reducer	1			
3T3500	Coiled Tube	1			
4AP1573	Frame Assembly (Red)	1			
4B1200	Air Gun Butt Assembly	1			
7A1500	Dump Valve Body assembly	1			
7A1503	Regulator Assembly (including O ring and washer)	1			
7A1506	Spool valve assembly	1			



CBA 330A



www.pccox.co.uk  
 sales@pccox.co.uk  
 TEL:44(0)1635 264500

REV	DATE
A	30/09/2003