

# MK™ Dispensing Solutions



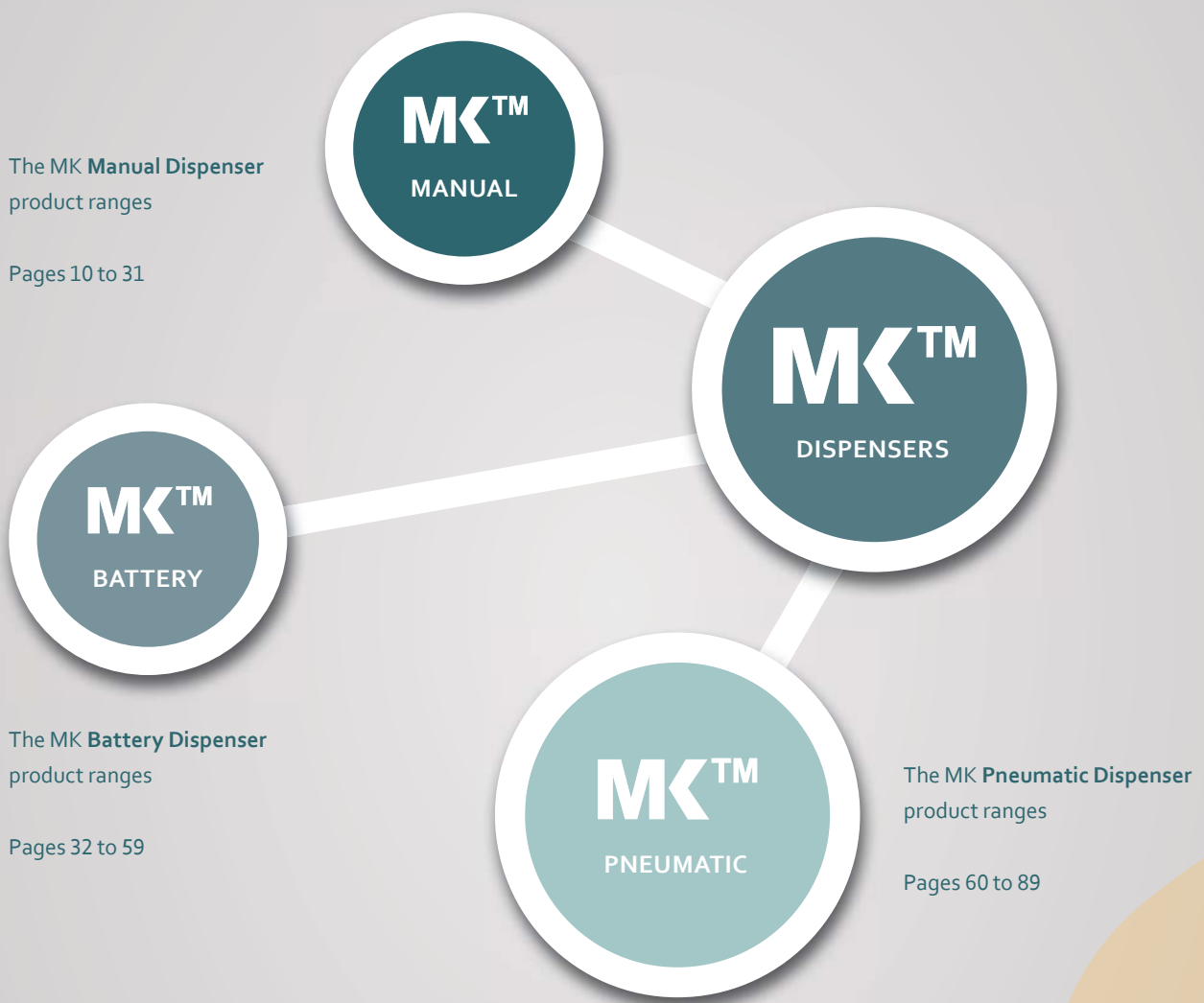
2-COMPONENT DISPENSERS

 medmix

INDUSTRY



# MK™ SYSTEM OVERVIEW











All of our MK™ dispensers may be recognized by their well-known unique and pleasing visual appearances.






## 2-COMPONENT DISPENSERS

# PRODUCT RANGES

SMART DISPENSING FOR ALL APPLICATIONS.

Name/ Description	Cartridge/ Sachet/Bulk	Cartridge / Sachet Capacity	Cartridge Ratio	Maximum Thrust	Mechanical Advantage Ratio	Material Viscosity	Pages	
<b>Manual Dispensers</b>								
	H8 XM	cartridge	50 mL (1.8 oz)	1:1, 2:1	1.3 kN	12:1	low	10–11
	H236 M H236 M-410	cartridge	200 mL (7 oz)	1:1, 2:1, 4:1, 10:1	5 kN	26:1	low/medium	12–13
	H248 H248 M	cartridge	200 mL (7 oz)	1:1	4 kN	18:1	medium	14–15
	H297 MN	cartridge	330 mL (11.6 oz)	10:1	5 kN	26:1	medium	16–17
	H297 iMN	cartridge	330 mL (11.6 oz)	10:1	5 kN	26:1	medium	18–19
	H285 sM H285 S	cartridge	380 mL (13.4 oz)	10:1 5:1	5 kN	26:1	medium	20–21
	H260 H260 M	cartridge	350 mL (12.3 oz)	10:1	5 kN	26:1	medium	22–23
	H244 s	cartridge	385 mL (13.6 oz)	3:1	5 kN	26:1	high	24–25




	Name/ Description	Cartridge/ Sachet/Bulk	Cartridge / Sachet Capacity	Cartridge Ratio	Maximum Thrust	Mechanical Advantage Ratio	Material Viscosity	Pages
	H288 H288 M H288 N	cartridge	600 mL (21.1 oz)	1:1	5 kN	26:1	medium	26–27
	H293 H293 PM	cartridge	450 mL (15.8 oz) 600 mL (21.1 oz)	2:1 1:1	5 kN	26:1	medium/high	28–29
	H239	cartridge	900 mL (31.7 oz)	2:1	5 kN	26:1	high	30–31

## 2-COMPONENT DISPENSERS

# PRODUCT RANGES

SMART DISPENSING FOR ALL APPLICATIONS.





Name/ Description	Cartridge/ Sachet/Bulk	Cartridge / Sachet Capacity	Cartridge Ratio	Maximum Thrust	Voltage	Material Viscosity	Pages	
<b>Battery Dispensers</b>								
	B948 M	cartridge	200 ml (7 oz)	1:1	4 kN	18 V	medium	32–33
	B983 M	cartridge	400 mL (14 oz)	1:1	5 kN	18 V	high	34–35
	B983 M-2:1	cartridge	400 mL (14 oz)	2:1	5 kN	18 V	high	36–37
	B938 M	cartridge	400 mL (14 oz)	4:1	5 kN	18 V	high	38–39
	B978 M	cartridge	400 mL (14 oz)	10:1	5 kN	18 V	high	40–41
	B944 K	cartridge	385 mL (13.5 oz) 585 mL (20.6 oz)	3:1	2.7 kN	18 V	low/medium	42–43
	B960 M	cartridge	350 mL (12.3 oz)	10:1	2.8 kN	18 V	low/medium	44–45
	B985 M	cartridge	380 mL (13.4 oz)	10:1	2.75 kN	18 V	low/medium	46–47
	B959 M	cartridge	450 mL (15.8 oz)	2:1	4.45 kN	18 V	medium/high	48–49
	B988 M	cartridge	600 mL (21.1 oz)	1:1	4.73 kN	18 V	medium	50–51
	B996 M	cartridge	750 ml (26.4 oz)	4:1	5 kN	18 V	medium	52–53

	Name/ Description	Cartridge/ Sachet/Bulk	Cartridge / Sachet Capacity	Cartridge Ratio	Maximum Thrust	Voltage	Material Viscosity	Pages
	<b>B998 M</b>	cartridge	825 mL (29 oz)	10:1	5 kN	18 V	medium	54–55
	<b>B939 M</b>	cartridge	900 ml (31.6 oz)	2:1	5 kN	18 V	medium/high	56–57
	<b>B999 M</b>	cartridge	1500 mL (52.8 oz)	1:1	5 kN	18 V	medium	58–59





## 2-COMPONENT DISPENSERS

# PRODUCT RANGES

SMART DISPENSING FOR ALL APPLICATIONS.

Name/ Description	Cartridge/ Sachet/Bulk	Cartridge / Sachet Capacity	Cartridge Ratio	Maximum Thrust	Pneumatic Pressure	Material Viscosity	Pages	
<b>Pneumatic Dispensers</b>								
	TS408 HM-101	cartridge	50 mL (1.8 oz)	10:1	1.3 kN	8 bar / 116 psi	low	60–61
	TS408 MY-8	cartridge	50 mL (1.8 oz)	1:1, 2:1, 4:1, 10:1	1.3 kN	8 bar / 116 psi	low	62–63
	TS408M-75	cartridge	75 mL (1.8 oz)	1:1, 2:1, 4:1, 10:1	1.3 kN	8 bar / 116 psi	low	64–65
	TS408 EM	cartridge	50 mL (1.8 oz)	1:1, 2:1, 3:2	1.3 kN	8 bar / 116 psi	low	66–67
	TS408 BM	cartridge	50 mL (1.8 oz)	4:1, 10:1	1.3 kN	8 bar / 116 psi	low	68–69
	TS483 XM	cartridge	400 mL (14 oz)	1:1	4 kN	8 bar / 116 psi	medium/high	70–71
	TS483 LXM	cartridge	400 mL (14 oz)	1:1	2.7 kN	8 bar / 116 psi	medium	72–73
	TS459 LXS	cartridge	450 mL (15.8 oz)	2:1	2.7 kN	8 bar / 116 psi	medium	74–75
	TS459 XM	cartridge	450 mL (15.8 oz)	2:1	4 kN	8 bar / 116 psi	medium	76–77
	TS444 KX	cartridge	365 mL (12.8 oz) 385 mL (13.5 oz) 585 mL (20.6 oz) 600 mL (21.1 oz) ecopaCC	3:1	4 kN	8 bar / 116 psi	medium	78–79
	TS447 X-625	cartridge	580 mL (20.4 oz)	1:1	6.25 kN	8 bar / 116 psi	high	80–81



	Name/ Description	Cartridge/ Sachet/Bulk	Cartridge / Sachet Capacity	Cartridge Ratio	Maximum Thrust	Pneumatic Pressure	Material Viscosity	Pages
	TS488 X	cartridge	600 mL (21.1 oz)	1:1	4 kN	8 bar / 116 psi	medium	82–83
	TS488 XM	cartridge	600 mL (21.1 oz)	1:1	4 kN	8 bar / 116 psi	medium	84–85
	TS493 X TS493 XT	cartridge	600 mL (21.1 oz)	1:1	4 kN	8 bar / 116 psi	medium	86–87
	TS471	cartridge	1400 mL (49.3 oz)	3:1	8.3 kN	8 bar / 116 psi	medium/high	88–89

# H8 XM

## 50 ML CARTRIDGE DISPENSER



Cartridge holder and handle  
in reinforced nylon

Balanced dispenser  
for precise working

Trigger  
integrated brake release

Model shown: H8 XM 50 mL

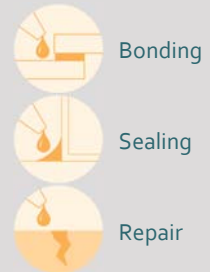
### FEATURES

- Anti-drip, trigger integrated brake release
- Reinforced nylon frame and handle
- High gearing ratio
- One hand operation
- Customization possible

### BENEFITS

- Fast, reliable clean application
- Easy handling for precise working
- Long life technology
- Lightweight and compact
- Customer labelling

### APPLICATIONS



### PRODUCT BY RANGE



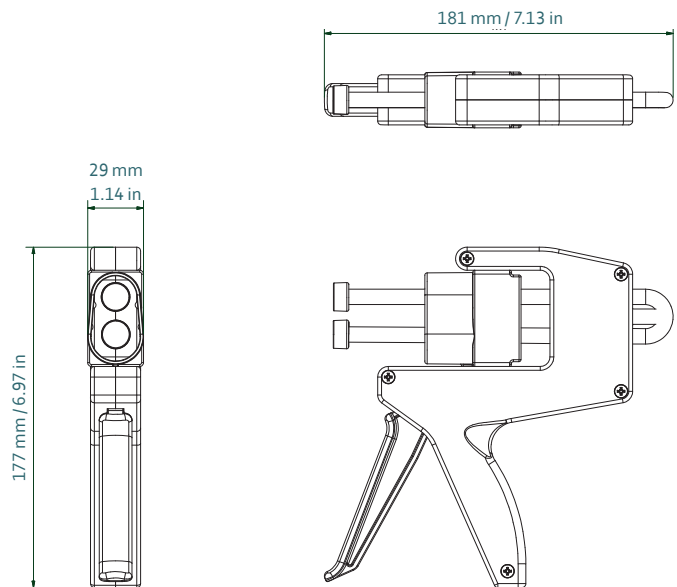
H8 XM

# THE H8 XM 2-COMPONENT MANUAL DISPENSER HAS A LIGHT-WEIGHT COMPACT DESIGN WHILE THE HIGH GEARING RATIO OFFERS LONG LIFE TECHNOLOGY.

## SPECIFICATIONS

- Lightweight: 0.41 kg / 0.9 lbs
- Dispenser Length: 181 mm / 7.13 in
- Maximum Thrust: 1.3 kN (stroke 5.4 mm)
- Handle Material: Reinforced Nylon
- Cartridge Holder Material: Reinforced Nylon
- Cartridge Capacity: 50 mL (1.8 oz)
- Cartridge Ratios: 1:1, 2:1
- Mechanical Advantage Ratio: 12:1
- Viscosity: Low/Medium
- Standard Color: Black/Red
- Customized versions on demand

## DIMENSIONS



Part number	Article number	Packaging
DM2K 50-12-r12-001	151744	1 per Box, 50 per master carton

## MATCHING MIXPAC™ SIDE-BY-SIDE CARTRIDGES



**A-System**  
50 mL / 1:1 PP/PA



**A-System**  
50 mL / 2:1 PP/PA

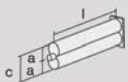


**B-System**  
50 mL / 1:1 PP/PA



**B-System**  
50 mL / 2:1 PP/PA

## COMPATIBLE CARTRIDGES



**Rectangular Flange Cartridge**  
50 mL / 1:1 PP/PBT

1:1	mm	inch
l	99.7	3.93
a	Ø 21.0	Ø 0.83
c	46.0	1.81



**Rectangular Flange Cartridge**  
50 mL / 2:1 PP/PBT

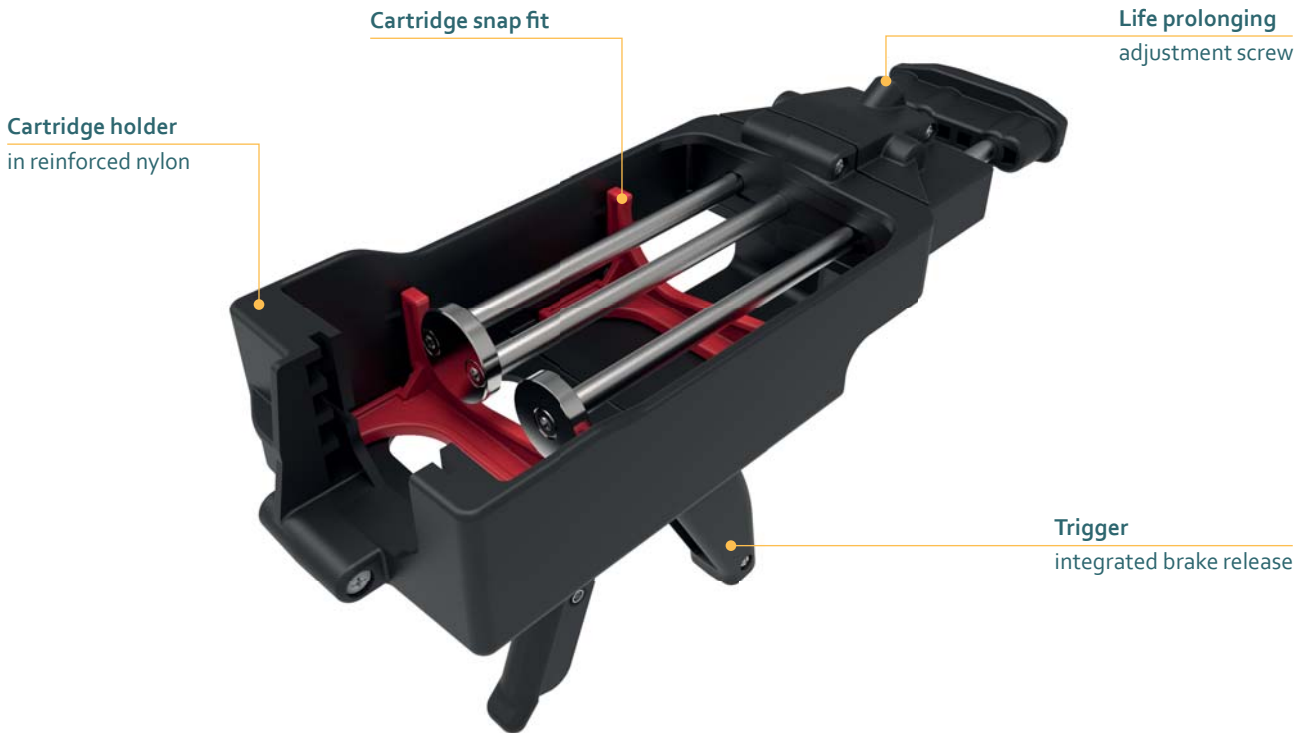
2:1	mm	inch
l	108.5	4.27
a	Ø 25.0	Ø 0.89
b	Ø 18.0	Ø 0.71
c	46.0	1.81

## CONVERSION KITS

## MATCHING ACCESSORIES

# H236 M / H236 M-410

## 200 ML CARTRIDGE DISPENSER



Model shown: H236 M 200 mL

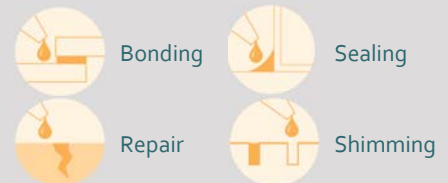
### FEATURES

- Fast, reliable and easy handling
- Cartridge positioning and fixation snap fit
- Life prolonging adjustment screw
- Lightweight reinforced nylon frame
- Customization possible

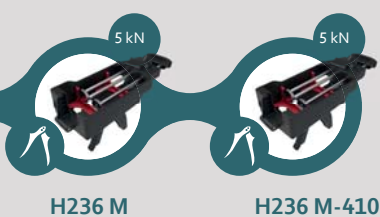
### BENEFITS

- For precise working
- Easy cartridge ratio shift
- No loss of performance – anti-wear
- One hand operation
- Customer labelling

### APPLICATIONS



### PRODUCT BY RANGE

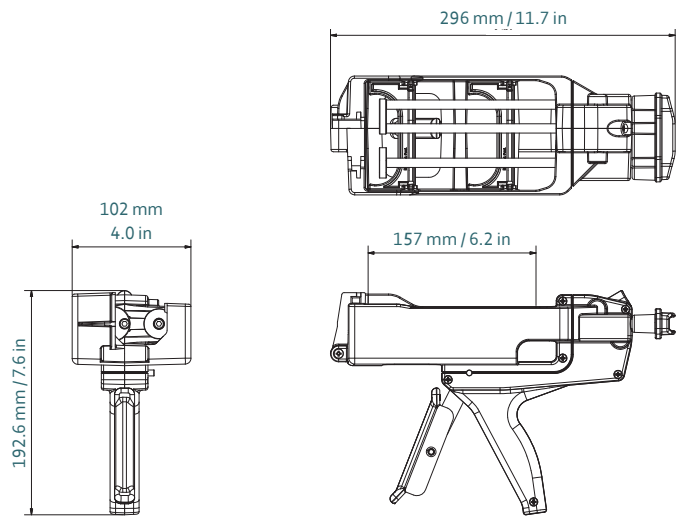


# H236 M/M-410 2-COMPONENT MANUAL DISPENSER WITH LIFE PROLONGING ANTI-WEAR ADJUSTMENT SCREW AND EASY CARTRIDGE POSITIONING AND FIXATION SNAP FIT.

## SPECIFICATIONS

- Lightweight: 1.07 kg / 2.3 lbs
- Cartridge Holder Length: 157 mm / 6.2 in
- Maximum Thrust: 5 kN (stroke 3.5 mm)
- Handle Material: Reinforced Nylon
- Cartridge Holder Material: Reinforced Nylon
- Cartridge Capacity: 200 mL (7 oz)
- Cartridge Ratios: 1:1, 2:1; 4:1, 10:1
- Mechanical Advantage Ratio: 26:1
- Viscosity: Low/Medium
- Standard Color: Black/Red
- Customized versions on demand

## DIMENSIONS



Part number	Article number	Packaging
DM2K 200-12-r26-001	151746 (1:1, 2:1)	1/10 units per box
DM2K 200-410-r26-01	151745 (4:1, 10:1)	1/10 units per box

## MATCHING MIXPAC™ SIDE-BY-SIDE CARTRIDGES



C-System/F-System  
200 mL / 1:1 PP/PA



C-System/F-System  
200 mL / 2:1 PP/PA

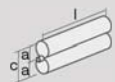


C-System/F-System  
200 mL / 4:1 PP

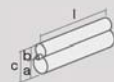


C-System/F-System  
200 mL / 10:1 PP/PA

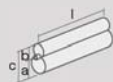
## COMPATIBLE CARTRIDGES



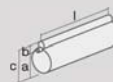
Plastic Cartridge  
200 mL / 1:1 PP



Plastic Cartridge  
200 mL / 2:1 PP



Plastic Cartridge  
200 mL / 4:1 PP/PBT



Plastic Cartridge  
200 mL / 10:1 PP/PBT

1:1	mm	inch
l	148.0	5.83
a	Ø 37.0	Ø 1.46
c	79.0	3.11

2:1	mm	inch
l	148.0	5.83
a	Ø 50.0	Ø 1.97
b	Ø 31.0	Ø 1.22
c	81.0	3.19

4:1	mm	inch
l	148.0	5.83
a	Ø 49.0	Ø 1.93
b	Ø 25.0	Ø 0.98
c	77.0	3.03

10:1	mm	inch
l	147.0	5.79
a	Ø 55.0	Ø 2.17
b	Ø 19.0	Ø 0.75
c	78.0	3.07

## CONVERSION KITS

## MATCHING ACCESSORIES

# H248 / H248 M

## 200 ML CARTRIDGE DISPENSER



Model shown: H248 200 mL

### FEATURES

- Anti-drip and trigger integrated brake release
- Life prolonging adjustment screw
- Reinforced nylon barrel housing
- High gearing ratio
- U-opening with cartridge snap fit
- Customization possible

### BENEFITS

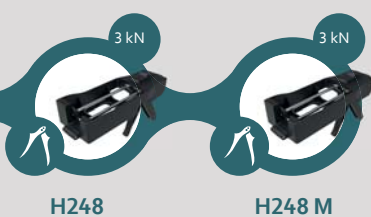
- Fast, reliable and clean application
- No loss of performance – anti-wear
- Long life technology
- Easy handling for precise working
- Easy insertion and removal of cartridges
- Customer labelling

### APPLICATIONS



Chemical  
Anchoring

### PRODUCT BY RANGE

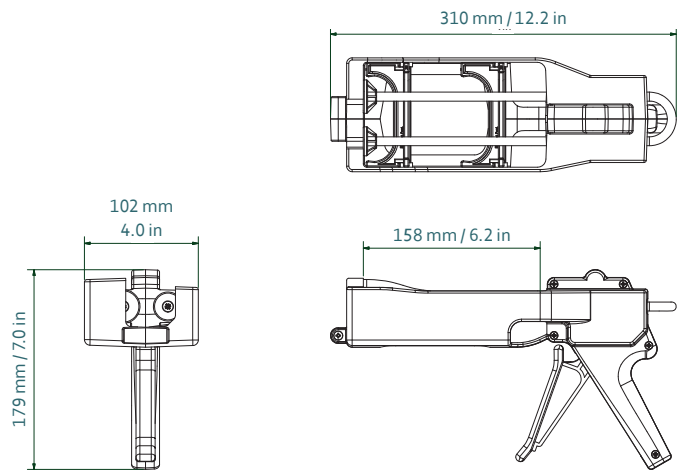


# THE H248 2-COMPONENT MANUAL DISPENSER WITH REINFORCED U-OPENING BARREL AND HIGH GEARING RATIO OFFERS EASY HANDLING FOR PRECISE WORKING.

## SPECIFICATIONS

- Lightweight: 0.82 kg / 1.8 lbs
- Cartridge Holder Length: 158 mm / 6.2 in
- Maximum Thrust: 3 kN (stroke 5 mm)
- Handle Material: Reinforced Nylon
- Cartridge Holder Material: Reinforced Nylon
- Cartridge Capacity: 200 mL (7 oz)
- Cartridge Ratio: 1:1
- Mechanical Advantage Ratio: 18:1
- Viscosity: Medium
- Standard Color: Black
- Customized versions on demand

## DIMENSIONS



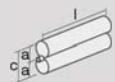
Part number	Article number	Packaging
DM2K 200-01-r18-201	154249 (H248) (For use with compatible cartridges)	10 per Box
DM2K 200-01-r18-101	151750 (H248M) (For use with MIXPAC cartridges)	10 per Box

## MATCHING MIXPAC™ CARTRIDGES



C-System/F-System  
200 mL / 1:1 PP/PA

## COMPATIBLE SIDE-BY-SIDE CARTRIDGES



Plastic Cartridge  
200 mL / 1:1 PP

1:1	mm	inch
l	148.0	5.83
a	Ø 37.0	Ø 1.46
c	79.0	3.11

## CONVERSION KITS

## MATCHING ACCESSORIES

# H297 MN

## 330 ML CARTRIDGE DISPENSER



Model shown: H297 MN 330 mL

### FEATURES

- Anti-drip and trigger integrated brake release
- Life prolonging adjustment screw
- Reinforced nylon barrel housing
- High gearing ratio
- U-opening with cartridge snap fit
- Customization possible

### BENEFITS

- Fast, reliable and clean application
- No loss of performance – anti-wear
- Long life technology
- Easy handling for precise working
- Easy insertion and removal of cartridges
- Customer labelling

### APPLICATIONS



### PRODUCT BY RANGE



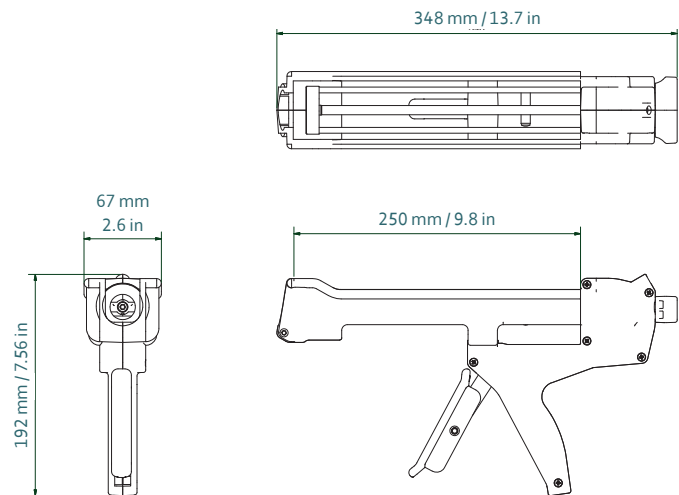


# THE H297 MN 2-COMPONENT MANUAL DISPENSER'S ANTI-DRIP AND TRIGGER INTEGRATED BRAKE RELEASE DELIVERS A RELIABLE AND FAST APPLICATION.

## SPECIFICATIONS

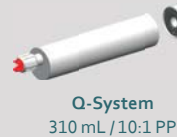
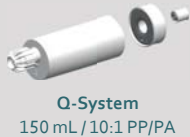
- Lightweight: 0.8 kg / 1.8 lbs
- Cartridge Holder Length: 250 mm / 9.8 in
- Maximum Thrust: 5 kN (stroke 3.5 mm)
- Handle Material: Reinforced Nylon
- Cartridge Holder Material: Reinforced Nylon
- Cartridge Capacity: 330 mL (11.6 oz)
- Cartridge Ratio: 10:1
- Mechanical Advantage Ratio: 26:1
- Viscosity: Medium
- Standard Color: Black
- Customized versions on demand

## DIMENSIONS

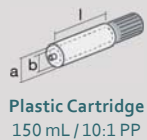


Part number	Article number	Packaging
DM2K 330-10-r26-001	151769	10 per Box

## MATCHING MIXPAC™ COAXIAL CARTRIDGES



## COMPATIBLE COAXIAL CARTRIDGES



	mm	inch
l	117.0	4.6
a	∅ 50.0	∅ 1.9
b	∅ 14.3	∅ 0.5

	mm	inch
l	218.0	8.58
a	∅ 50.0	∅ 1.97
b	∅ 14.2	∅ 0.5

## CONVERSION KITS

## MATCHING ACCESSORIES

# H297 IMN

## 330 ML CARTRIDGE DISPENSER



Model shown: H297 iMN 330 mL

### FEATURES

- Anti-drip and trigger integrated brake release
- Life prolonging adjustment screw
- Reinforced nylon barrel housing
- High gearing ratio
- U-opening with cartridge snap fit
- Customization possible

### BENEFITS

- Fast, reliable and clean application
- No loss of performance – anti-wear
- Long life technology
- Easy handling for precise working
- Easy insertion and removal of cartridges
- Customer labelling

### APPLICATIONS



### PRODUCT BY RANGE

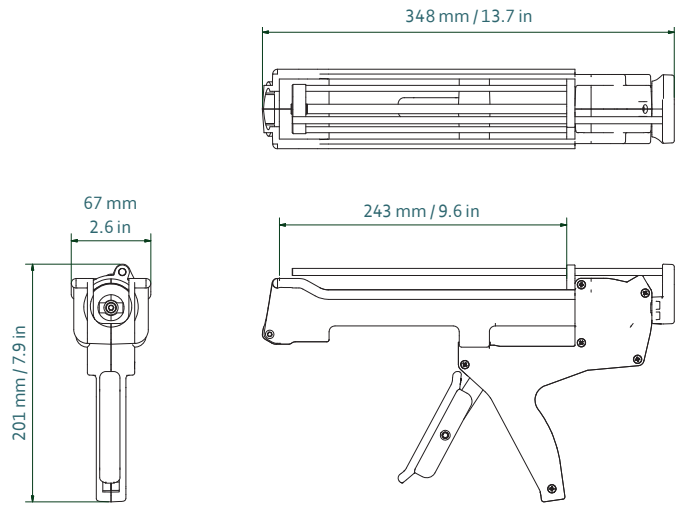


# THE H297 IMN 2-COMPONENT MANUAL DISPENSER OFFERS EASY HANDLING FOR PRECISE WORKING, WHILE THE INDICATOR ROD SHOWS YOU HOW MUCH MATERIAL IS LEFT IN THE CARTRIDGE.

## SPECIFICATIONS

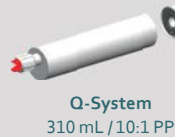
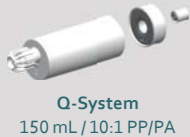
- Lightweight: 0.8 kg / 2.1 lbs
- Cartridge Holder Length: 243 mm / 9.6 in
- Maximum Thrust: 5 kN (stroke 3.5 mm)
- Handle Material: Reinforced Nylon
- Cartridge Holder Material: Reinforced Nylon
- Cartridge Capacity: 330 mL (11.6 oz)
- Cartridge Ratio: 10:1
- Mechanical Advantage Ratio: 26:1
- Viscosity: Medium
- Standard Color: Black
- Customized versions on demand

## DIMENSIONS



Part number	Article number	Packaging
DM2K 330-10-r26-101	151770	10 per Box

## MATCHING MIXPAC™ COAXIAL CARTRIDGES



## COMPATIBLE COAXIAL CARTRIDGES



	mm	inch
l	117.0	4.6
a	Ø 50.0	Ø 1.9
b	Ø 14.3	Ø 0.5

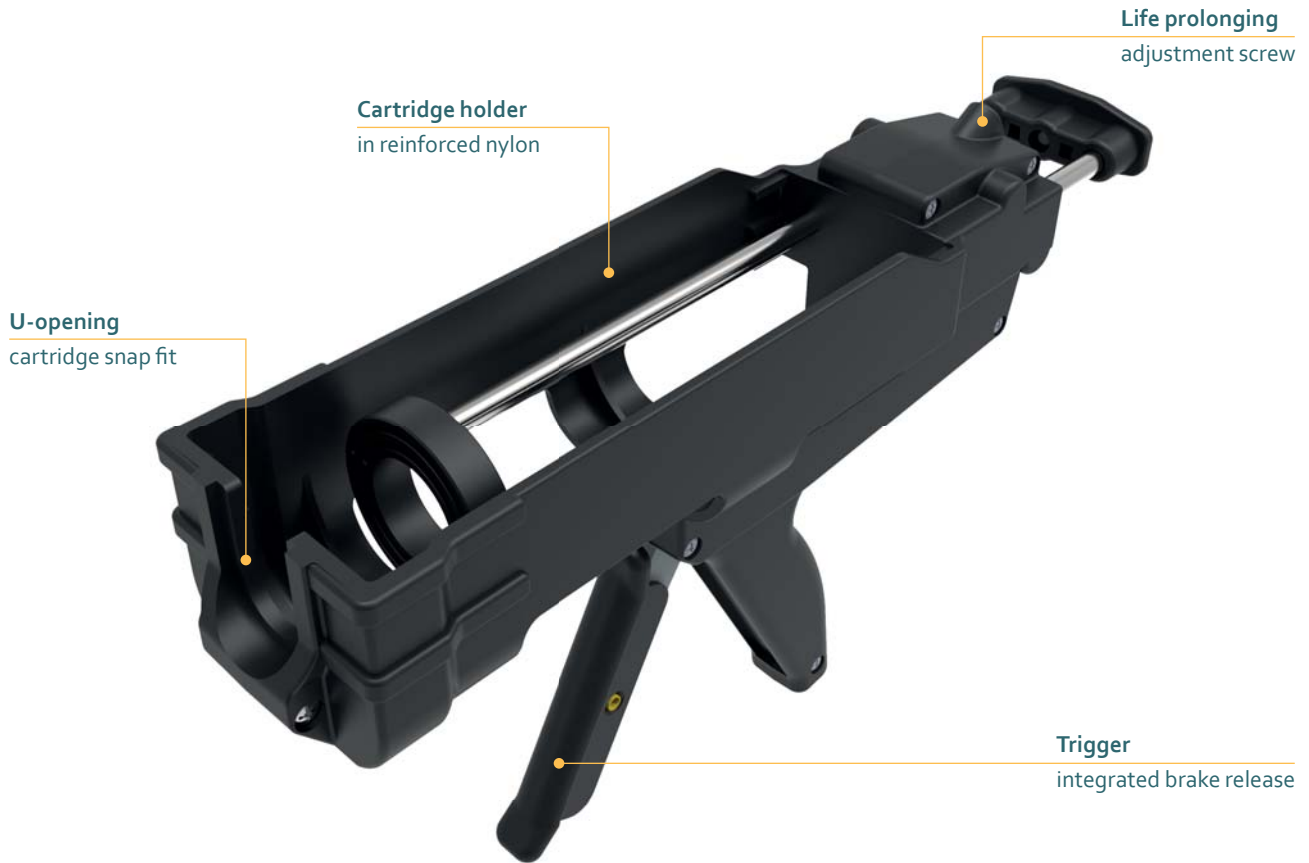
	mm	inch
l	218.0	8.58
a	Ø 50.0	Ø 1.97
b	Ø 14.2	Ø 0.5

## CONVERSION KITS

## MATCHING ACCESSORIES

# H285 SM / H285 S

## 380 ML CARTRIDGE DISPENSER



Model shown: H285 sM 380 mL

### FEATURES

- Anti-drip and trigger integrated brake release
- Life prolonging adjustment screw
- Reinforced nylon barrel housing
- High gearing ratio
- U-opening with cartridge snap fit
- Customization possible

### BENEFITS

- Fast, reliable and clean application
- No loss of performance – anti-wear
- Long life technology
- Easy handling for precise working
- Easy insertion and removal of cartridges
- Customer labelling

### APPLICATIONS



### PRODUCT BY RANGE



H285 sM

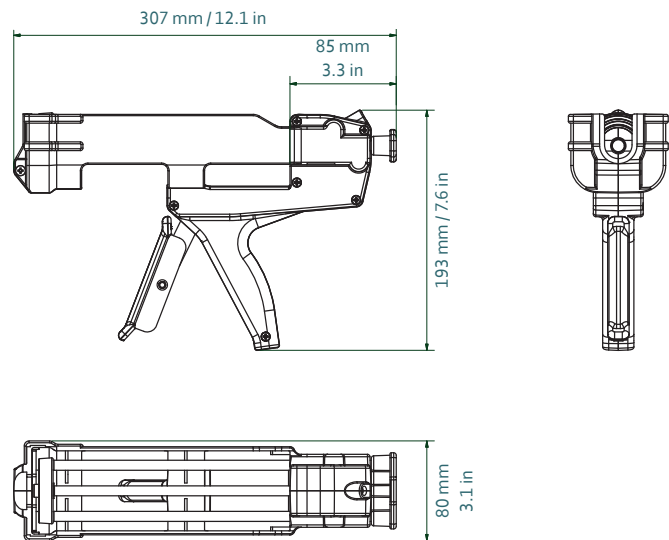
H285 S

# THE H285 2-COMPONENT MANUAL DISPENSER IS DESIGNED FOR USE WITH MEDIUM VISCOSITY SEALANTS AND ADHESIVES. THE REINFORCED U-OPENING WITH CARTRIDGE SNAP FIT OFFERS EASY HANDLING FOR PRECISE WORKING.

## SPECIFICATIONS

- Lightweight: 1.0 kg / 2.2 lbs
- Cartridge Holder Length: 222 mm / 8.75 in
- Maximum Thrust: 5 kN (stroke 3.5 mm)
- Handle Material: Reinforced Nylon
- Cartridge Holder Material: Reinforced Nylon
- Cartridge Capacity: 380 mL (13.4 oz)
- Cartridge Ratios: 5:1, 10:1
- Mechanical Advantage Ratio: 26:1
- Viscosity: Medium
- Standard Color: Black
- Customized versions on demand

## DIMENSIONS



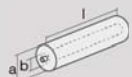
Part number	Article number	Packaging
DM2K 380-10-r26-101	151763 (H285 sM (10:1))	10 per Box
DM2K 380-05-r26-002	153461 (H285 S (5:1))	10 per Box

## MATCHING MIXPAC™ COAXIAL CARTRIDGES



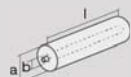
**Q-System**  
380 mL / 10:1 PA

## COMPATIBLE COAXIAL CARTRIDGES



**Plastic Cartridge**  
380 mL / 5:1 PP/PA

10:1	mm	inch
l	183.0	7.2
a	Ø 63.0	Ø 2.5
b	Ø 25.2	Ø 0.99



**Plastic Cartridge**  
380 mL / 10:1 PP/PA

10:1	mm	inch
l	183.0	7.2
a	Ø 63.0	Ø 2.5
b	Ø 18.0	Ø 0.71

## CONVERSION KITS

## MATCHING ACCESSORIES

# H260 / H260 M

## 345/350 ML CARTRIDGE DISPENSER



Model shown: H260 350 mL

### FEATURES

- Anti-drip and trigger integrated brake release
- Life prolonging adjustment screw
- Reinforced nylon barrel housing
- High gearing ratio
- U-opening with cartridge snap fit
- Customization possible

### BENEFITS

- Fast, reliable and clean application
- No loss of performance – anti-wear
- Long life technology
- Easy handling for precise working
- Easy insertion and removal of cartridges
- Customer labelling

### APPLICATIONS



### PRODUCT BY RANGE

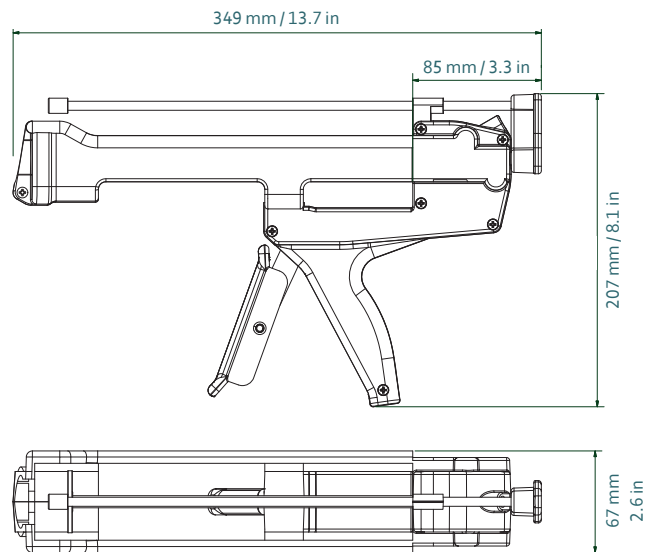


# THE H260 / 260 M 2-COMPONENT MANUAL DISPENSERS REINFORCED U-OPENING BARREL HOUSING WITH CARTRIDGE SNAP FIT AND HIGH GEARING RATIO OFFERS EASY HANDLING FOR PRECISE WORKING.

## SPECIFICATIONS

- Lightweight: 0.9 kg / 1.9 lbs
- Cartridge Holder Length: 264 mm / 10.4 in
- Maximum Thrust: 5 kN (stroke 3.5 mm)
- Handle Material: Reinforced Nylon
- Cartridge Holder Material: Reinforced Nylon
- Cartridge Capacity: 345 mL (11.7 oz), 350 mL (12.3 oz)
- Cartridge Ratio: 10:1
- Mechanical Advantage Ratio: 26:1
- Viscosity: Medium
- Standard Color: Black
- Customized versions on demand

## DIMENSIONS



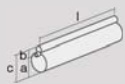
Part number	Article number	Packaging
DM2K 345-10-r26-201	151751 (H260 345 mL)	1 per Box, 10 per master carton
DM2K 350-10-r26-101	153353 (H260 M 350 mL)	1 per box, 10 per master carton

## MATCHING MIXPAC™ SIDE-BY-SIDE CARTRIDGES



**J-System**  
350 mL / 10:1 PP/PA

## COMPATIBLE SIDE-BY-SIDE CARTRIDGES



**Plastic Cartridge**  
345 mL / 10:1 PP/PA

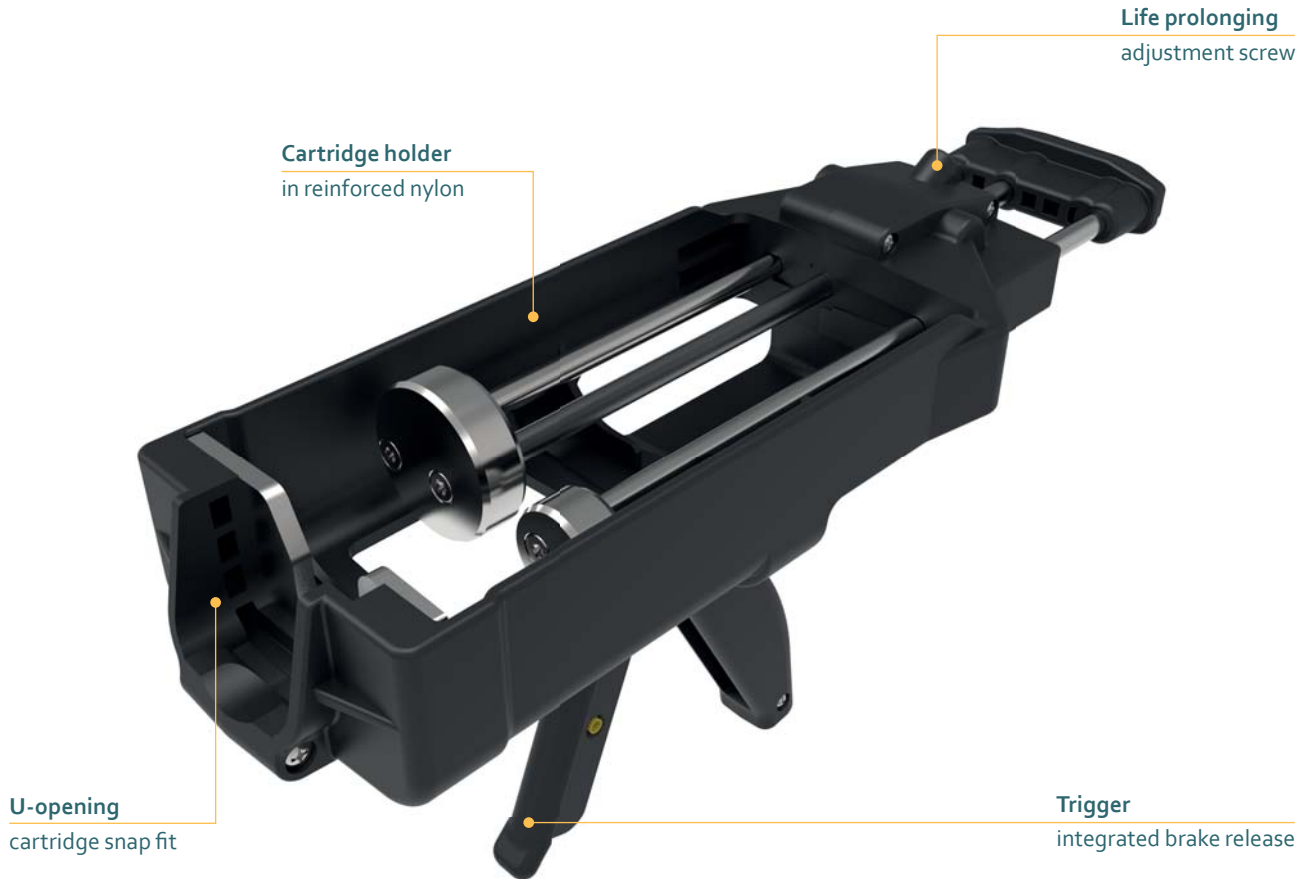
10:1	mm	inch
l	215.0	8.48
a	Ø 50.0	Ø 1.97
b	Ø 18.0	Ø 0.71
c	69.0	2.72

## CONVERSION KITS

## MATCHING ACCESSORIES

# H244 S

## 385 ML CARTRIDGE DISPENSER



Model shown: H244 s 385 mL

### FEATURES

- Anti-drip and trigger integrated brake release
- Life prolonging adjustment screw
- Reinforced nylon barrel housing
- High gearing ratio
- U-opening with cartridge snap fit
- Customization possible

### BENEFITS

- Fast, reliable and clean application
- No loss of performance – anti-wear
- Long life technology
- Easy handling for precise working
- Easy insertion and removal of cartridges
- Customer labelling

### APPLICATIONS



Chemical  
Anchoring

### PRODUCT BY RANGE



H244 s

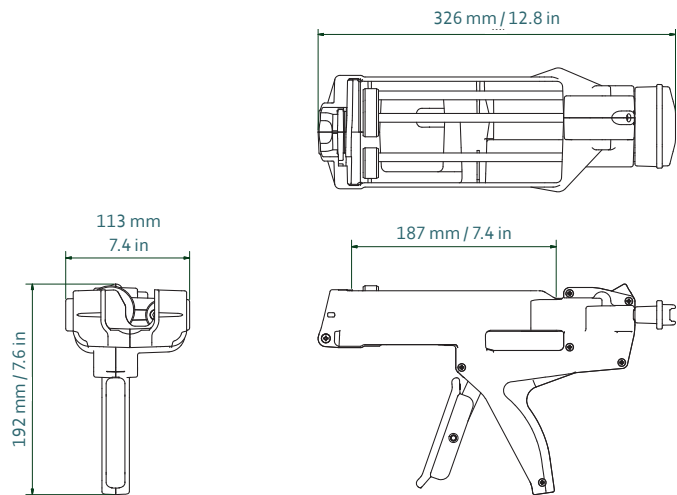


# THE H244 S 2-COMPONENT MANUAL DISPENSER'S ANTI-DRIP AND TRIGGER INTEGRATED BRAKE RELEASE GIVE A RELIABLE, FAST APPLICATION, WHILE THE LIFE PROLONGING ADJUSTMENT SCREW OFFERS LIFE-LONG TECHNOLOGY.

## SPECIFICATIONS

- Lightweight: 1.22 kg / 2.6 lbs
- Cartridge Holder Length: 187 mm / 7.4 in
- Maximum Thrust: 5 kN (stroke 3.5 mm)
- Handle Material: Reinforced Nylon
- Cartridge Holder Material: Reinforced Nylon
- Cartridge Capacity: 385 mL (13.6 oz)
- Cartridge Ratio: 3:1
- Mechanical Advantage Ratio: 26:1
- Viscosity: High
- Standard Color: Black
- Customized versions on demand

## DIMENSIONS



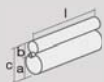
Part number	Article number	Packaging
DM2K 385-03-r26-001	153509	1 per box, 10 per master carton

## MATCHING MIXPAC™ SIDE-BY-SIDE CARTRIDGES



**J-System**  
365 mL / 3:1 PP

## COMPATIBLE SIDE-BY-SIDE CARTRIDGES



**Plastic Cartridge**  
385 mL / 3:1 PP/PA

3:1	mm	inch
l	171.0	6.73
a	Ø 54.4	Ø 2.14
b	Ø 32.6	Ø 1.28
c	90.0	3.54

## CONVERSION KITS

## MATCHING ACCESSORIES

# H288 / H288 M / H288 N

## 600/620 ML CARTRIDGE DISPENSER



Model shown: H288 380 mL

### FEATURES

- Anti-drip and trigger integrated brake release
- Life prolonging adjustment screw
- Reinforced nylon barrel housing
- High gearing ratio
- U-opening with cartridge snap fit
- Customization possible

### BENEFITS

- Fast, reliable and clean application
- No loss of performance – anti-wear
- Long life technology
- Easy handling for precise working
- Easy insertion and removal of cartridges
- Customer labelling

### APPLICATIONS



### PRODUCT BY RANGE

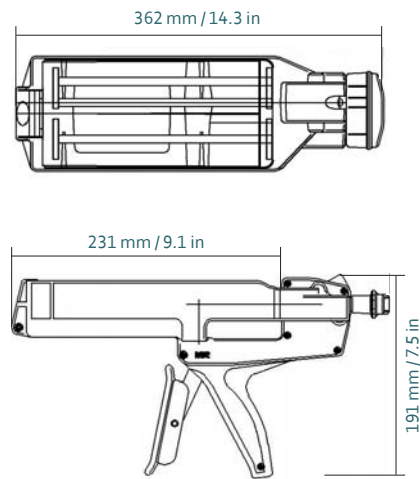


# THE H288 / H288 M / H288 N 2-COMPONENT MANUAL DISPENSER IS DESIGNED FOR USE WITH MEDIUM VISCOSITY SEALANTS AND ADHESIVES WHILE THE ANTI-WEAR LIFE PROLONGING ADJUSTMENT SCREW OFFERS LIFE-LONG TECHNOLOGY.

## SPECIFICATIONS

- Lightweight: 1.2 kg / 2.6 lbs
- Cartridge Holder Length: 231 mm / 9.1 in
- Maximum Thrust: 5 kN (stroke 3.5 mm)
- Handle Material: Reinforced Nylon
- Cartridge Holder Material: Reinforced Nylon
- Cartridge Capacity: 600 mL (21.1 oz), 620 mL (21.8 oz)
- Cartridge Ratio: 1:1
- Mechanical Advantage Ratio: 26:1
- Viscosity: Medium
- Standard Color: Black
- Customized versions on demand

## DIMENSIONS



Part number	Article number	Packaging
DM2K 620-01-r26-101	151765 (H288 (620 mL))	1 per box, 10 per master carton
DM2K 600-01-r26-401	151766 (H288 M J-System, ecopaCC)	1 per box, 10 per master carton
DM2K 600-01-r26-201	152494 (H288 N (600 mL))	1 per box, 10 per master carton

## MATCHING MIXPAC™ CARTRIDGES

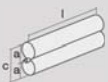


**J-System**  
600 mL / 1:1 PP

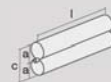


**ecopaCC Cartridge**  
600 mL / 1:1

## COMPATIBLE SIDE-BY-SIDE CARTRIDGE



**Plastic Cartridge**  
600 mL / 1:1 PP



**Plastic Cartridge**  
620 mL (2 x 310 mL) / 1:1 PP

1:1	mm	inch
l	215.0	8.46
a	Ø 49.3	Ø 1.94
c	98.5	3.88

1:1	mm	inch
l	217.0	8.54
a	Ø 48.0	Ø 1.89
c	95.5	3.76

## CONVERSION KITS

## MATCHING ACCESSORIES

# H293 / H293 PM

## 450/600 ML CARTRIDGE DISPENSER



Model shown: H293 600 mL

### FEATURES

- Anti-drip and trigger integrated brake release
- Life prolonging adjustment screw
- Reinforced nylon barrel housing
- High gearing ratio
- U-opening with cartridge snap fit
- Customization possible

### BENEFITS

- Fast, reliable and clean application
- No loss of performance – anti-wear
- Long life technology
- Easy handling for precise working
- Easy insertion and removal of cartridges
- Customer labelling

### APPLICATIONS



Chemical  
Anchoring

### PRODUCT BY RANGE



H293

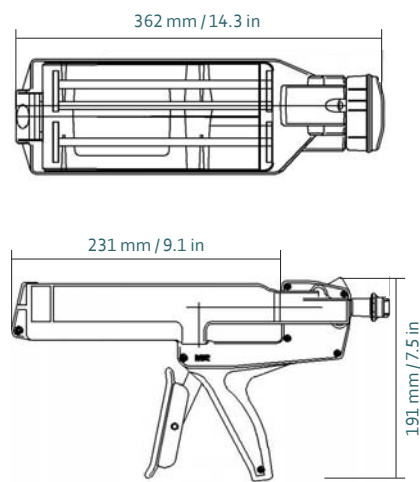
H293 PM

# THE H293 / 293 PM 2-COMPONENT MANUAL DISPENSERS REINFORCED U-OPENING BARREL HOUSING WITH CARTRIDGE SNAP FIT AND HIGH GEARING RATIO OFFERS EASY HANDLING FOR PRECISE WORKING.

## SPECIFICATIONS

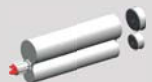
- Lightweight: 1.2 kg / 2.6 lbs
- Cartridge Holder Length: 231 mm / 9.1 in
- Maximum Thrust: 5 kN (stroke 3.5 mm)
- Handle Material: Reinforced Nylon
- Cartridge Holder Material: Reinforced Nylon
- Cartridge Capacity: 450 mL (15.8 oz), 600 mL (21.1 oz)
- Cartridge Ratios: 1:1, 2:1
- Mechanical Advantage Ratio: 26:1
- Viscosity: High
- Standard Color: Black
- Customized versions on demand

## DIMENSIONS



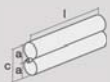
Part number	Article number	Packaging
DM2K 600-01-r26-101	151767 (H293 (600 mL))	1 per box, 10 per master carton
DM2K 450-02-r26-001	151768 (H293 PM (J-System 450 mL))	1 per box, 10 per master carton

## MATCHING MIXPAC™ CARTRIDGES



**J-System**  
450 mL / 2:1 PP/PA

## COMPATIBLE SIDE-BY-SIDE CARTRIDGES



**Plastic Cartridge**  
600 mL / 1:1 PP

1:1	mm	inch
l	217.0	8.54
a	Ø 48.0	Ø 1.89
c	95.5	3.76

## CONVERSION KITS

## MATCHING ACCESSORIES

# H239

## 900 ML CARTRIDGE DISPENSER



Model shown: H239 900 mL

### FEATURES

- Anti-drip and trigger integrated brake release
- Life prolonging adjustment screw
- Reinforced nylon frame and handle
- U-opening with cartridge snap fit
- Customization possible

### BENEFITS

- Fast, reliable and clean application
- No loss of performance – anti-wear
- Long life technology
- Easy insertion and removal of cartridges
- Customer labelling

### APPLICATIONS



Chemical  
Anchoring

### PRODUCT BY RANGE



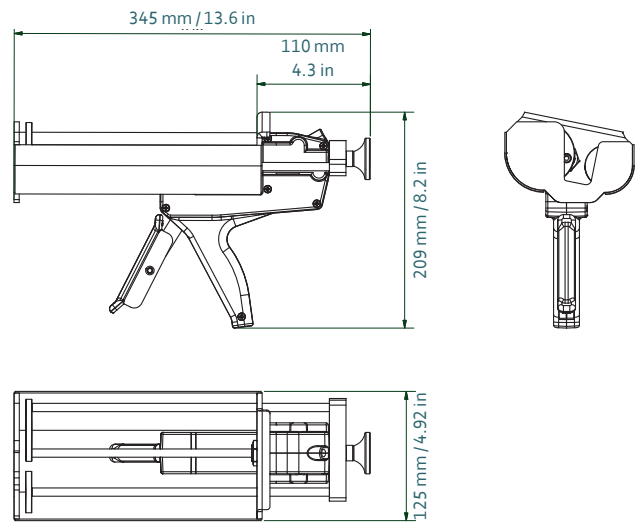
H239

# THE H239 2-COMPONENT MANUAL DISPENSER IS FOR USE WITH HIGH VISCOSITY SEALANTS AND ADHESIVES, WHILE ANTI-DRIP AND TRIGGER INTEGRATED BRAKE RELEASE GIVE A RELIABLE, FAST APPLICATION.

## SPECIFICATIONS

- Lightweight: 2.08 kg / 4.5 lbs
- Cartridge Holder Length: 235 mm / 9.25 in
- Maximum Thrust: 5 kN (stroke 3.5 mm)
- Handle Material: Reinforced Nylon
- Cartridge Holder Material: Steel
- Cartridge Capacity: 900 mL (31.7 oz)
- Cartridge Ratio: 2:1
- Mechanical Advantage Ratio: 26:1
- Viscosity: High
- Standard Color: Black/Red
- Customized versions on demand

## DIMENSIONS



Part number	Article number	Packaging
DM2K 1200-02-r26-001	151748	1 per box, 4 per master carton

## MATCHING MIXPAC™ CARTRIDGES

## COMPATIBLE SIDE-BY-SIDE CARTRIDGES



Plastic Cartridge  
900 mL / 2:1 PP/PA

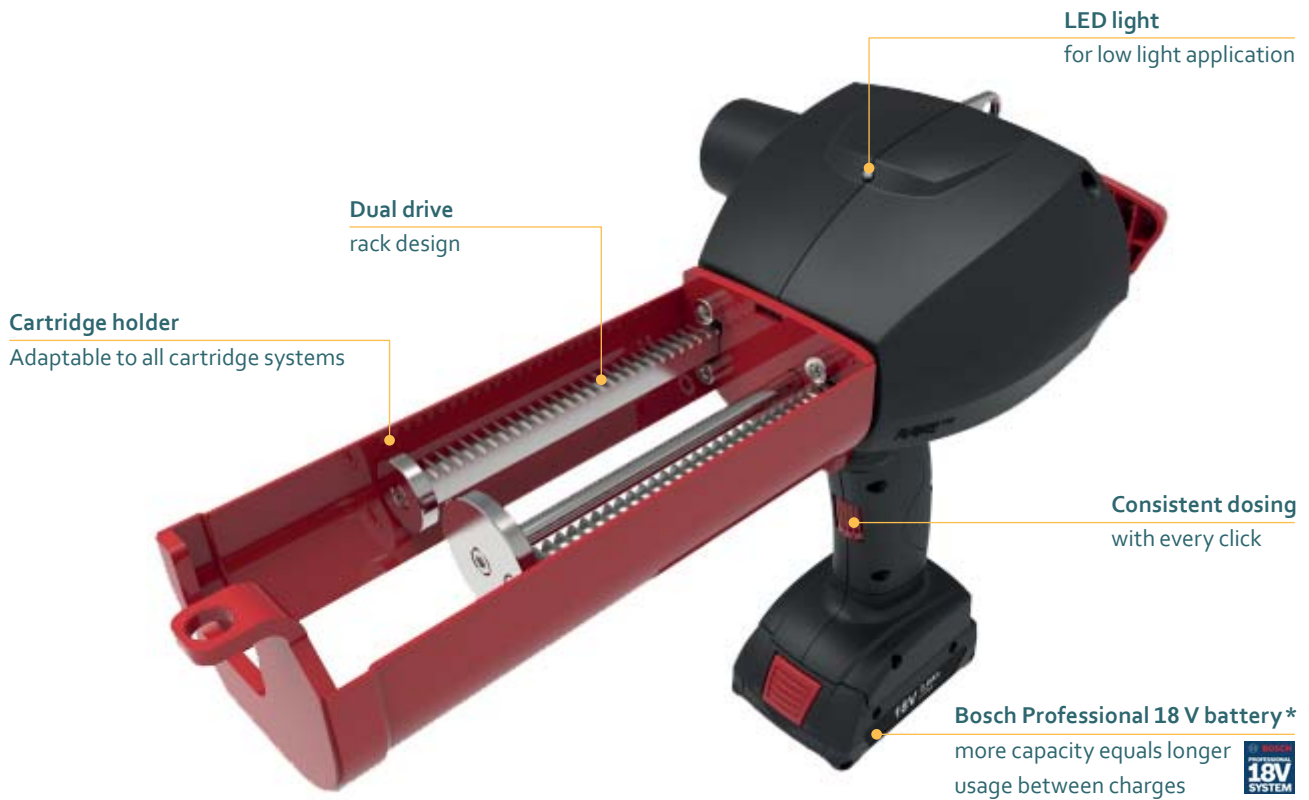
2:1	mm	inch
l	255.0	8.86
a	Ø 69.0	Ø 2.72
b	Ø 50.0	Ø 1.97
c	119.0	4.69

## CONVERSION KITS

## MATCHING ACCESSORIES

# B948 M

## 200 ML CARTRIDGE DISPENSER



Model shown: B948 M 200 mL

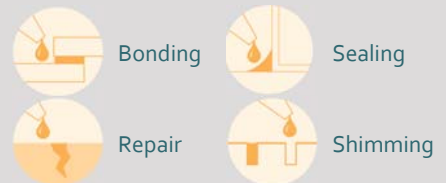
### FEATURES

- Unique memory function
- Dual drive rack design
- Anti-drip function
- 18 V Li-ion high performance battery
- U-opening with cartridge snap fit
- Customization possible

### BENEFITS

- Consistent dosing with every click
- Reproduces quality of each adhesive
- Clean and efficient working
- Charge time: 65 min (100%)
- For easy insertion and removal of cartridges
- Customer labelling

### APPLICATIONS



### PRODUCT BY RANGE



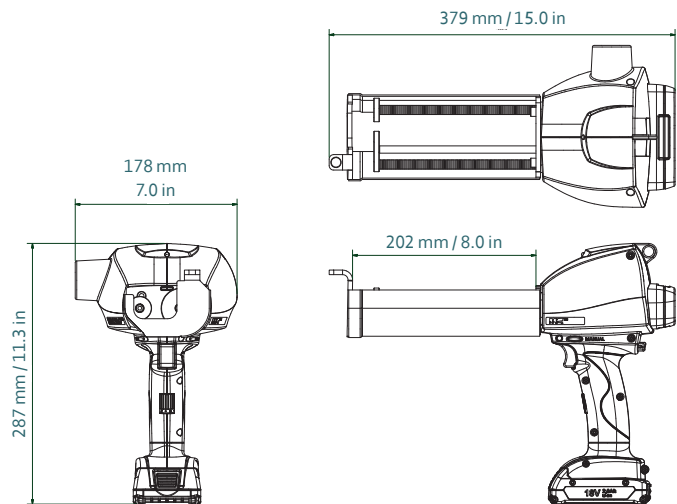


# THE B948 M 2-COMPONENT BATTERY DISPENSER DUAL DRIVE RACK AND UNIQUE MEMORY FUNCTION REPRODUCES CONSISTENT DOSING EVERY TIME, WHILE THE BOSCH PROFESSIONAL 18 V RE-CHARGEABLE BATTERY OFFERS LONGER USAGE BETWEEN CHARGES.

## SPECIFICATIONS

- Weight: 3.5 kg / 7.7 lbs
- Cartridge Holder Length: 200 mm / 7.9 in
- Maximum Thrust: 4 kN (5 mm/s)
- Voltage: 18 V
- Battery Capacity: 2.0 Ah
- Battery Charge Time: 65 min (100%)
- Battery Type: Li-ion
- Handle Material: Reinforced Nylon
- Cartridge Holder Material: Steel
- Cartridge Capacity: 200 mL (7 oz)
- Cartridge Ratio: 1:1
- Viscosity: High
- Standard Color: Black/Red
- Customized versions on demand

## DIMENSIONS



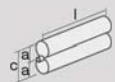
Part number	Article number	Packaging
DB2K 200-01-500-001	153190	1 per Box

## MATCHING MIXPAC™ CARTRIDGES



C-System/F-System  
200 mL / 1:1 PP/PA

## COMPATIBLE SIDE-BY-SIDE CARTRIDGES



Plastic Cartridge  
200 mL / 1:1 PP

1:1	mm	inch
l	148.0	5.83
a	Ø 37.0	Ø 1.46
c	79.0	3.11

## CONVERSION KITS

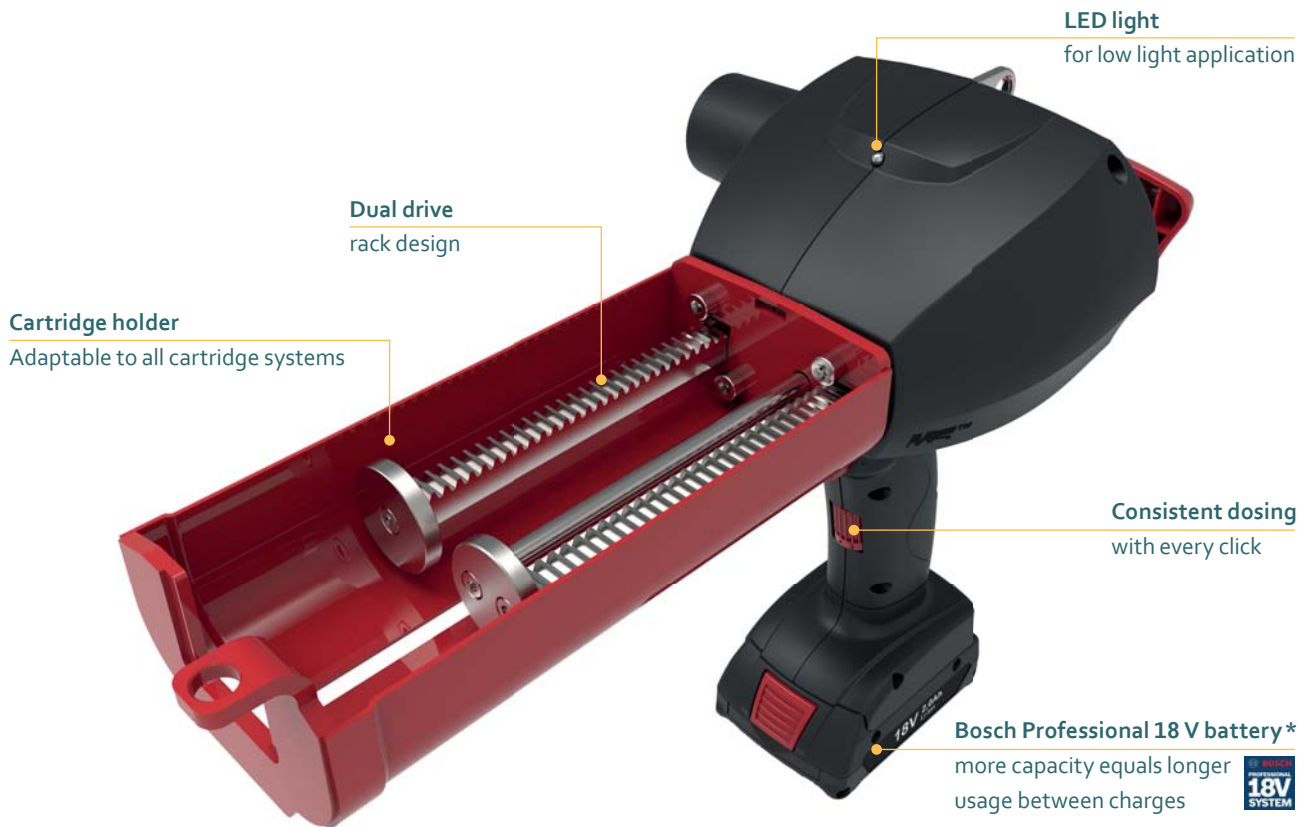
–

## MATCHING ACCESSORIES

Batteries and chargers on pages 90.

# B983 M

## 400 ML CARTRIDGE DISPENSER



Model shown: B983 M 400 mL

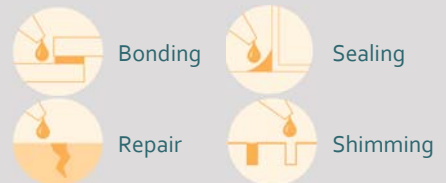
### FEATURES

- Unique memory function
- Dual drive rack design
- Anti-drip function
- 18 V Li-ion high performance battery
- U-opening with cartridge snap fit
- Customization possible

### BENEFITS

- Consistent dosing with every click
- Reproduces quality of each adhesive
- Clean and efficient working
- Charge time: 65 min (100%)
- For easy insertion and removal of cartridges
- Customer labelling

### APPLICATIONS



### PRODUCT BY RANGE

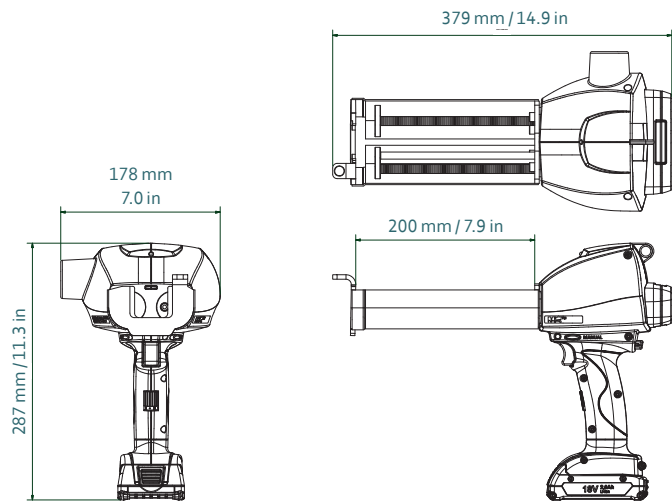


# THE B983 M 2-COMPONENT BATTERY DISPENSERS U-OPENING STEEL FRAME ALLOWS FOR EASY INSERTION AND REMOVAL OF CARTRIDGES, WHILE THE BOSCH PROFESSIONAL 18 V RECHARGEABLE BATTERY OFFERS LONGER USAGE BETWEEN CHARGES.

## SPECIFICATIONS

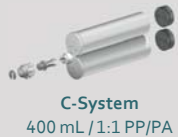
- Weight: 3.5 kg / 7.7 lbs
- Cartridge Holder Length: 200 mm / 7.9 in
- Maximum Thrust: 5 kN (5 mm/s)
- Voltage: 18 V
- Battery Capacity: 2.0 Ah
- Battery Charge Time: 65 min (100%)
- Battery Type: Li-ion
- Handle Material: Reinforced Nylon
- Cartridge Holder Material: Steel
- Cartridge Capacity: 400 mL (14 oz)
- Cartridge Ratio: 1:1
- Viscosity: High
- Standard Color: Black/Red
- Customized versions on demand

## DIMENSIONS

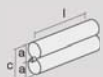


Part number	Article number	Packaging
DB2K 400-01-500-001	152603	1 per Box
DB2K 400-01-500-1US	152604 (US)	1 per Box

## MATCHING MIXPAC™ SIDE-BY-SIDE CARTRIDGES



## COMPATIBLE CARTRIDGES



**Plastic Cartridge**  
400 mL / 1:1 PP/PBT

1:1	mm	inch
l	185.0	7.28
a	Ø 45.0	Ø 1.77
c	93.0	3.66

## CONVERSION KITS

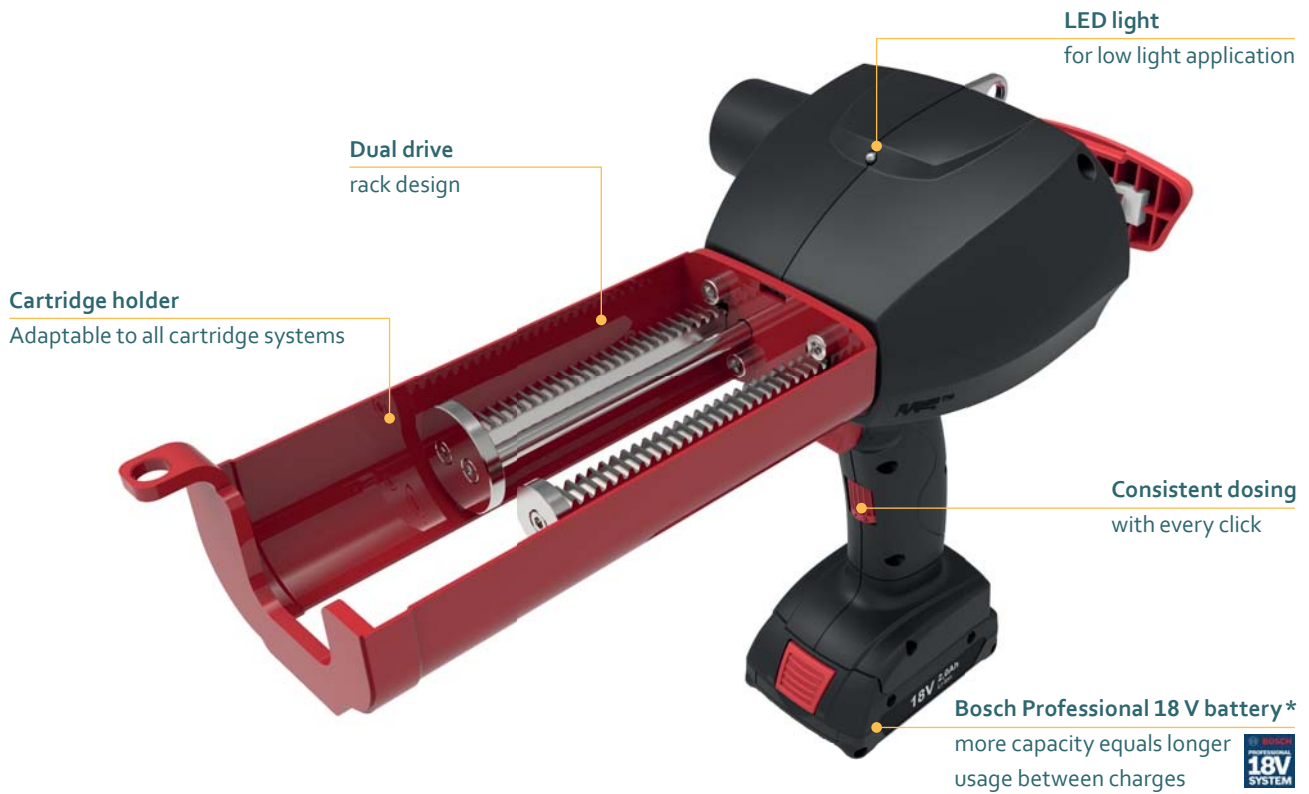
—

## MATCHING ACCESSORIES

Batteries and chargers on pages 90.

# B983 M-2:1

## 400 ML CARTRIDGE DISPENSER



Model shown: B983 M-2:1 400 mL

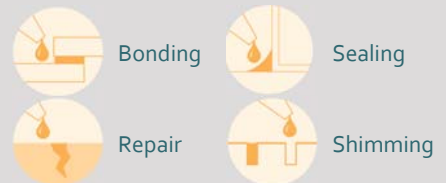
### FEATURES

- Unique memory function
- Dual drive rack design
- Anti-drip function
- 18 V Li-ion high performance battery
- U-opening with cartridge snap fit
- Customization possible

### BENEFITS

- Consistent dosing with every click
- Reproduces quality of each adhesive
- Clean and efficient working
- Charge time: 65 min (100%)
- For easy insertion and removal of cartridges
- Customer labelling

### APPLICATIONS



### PRODUCT BY RANGE

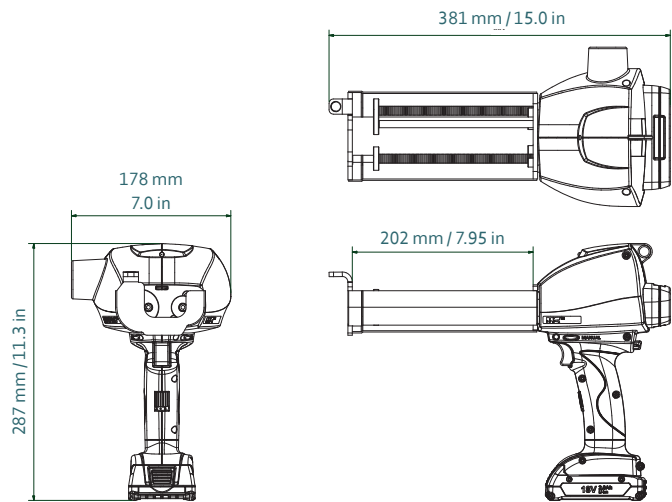


# THE B983 M-2:1 2-COMPONENT BATTERY DISPENSER IS DESIGNED FOR USE WITH HIGH VISCOSITY SEALANTS AND ADHESIVES, WHILE THE DUAL DRIVE RACK AND UNIQUE MEMORY FUNCTION REPRODUCES CONSISTENT DOSING EVERY TIME.

## SPECIFICATIONS

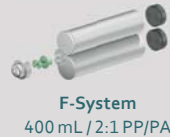
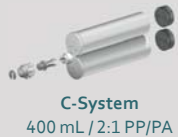
- Weight: 3.5 kg / 7.7 lbs
- Cartridge Holder Length: 202 mm / 7.95 in
- Maximum Thrust: 5 kN (5 mm/s)
- Voltage: 18 V
- Battery Capacity: 2.0 Ah
- Battery Charge Time: 65 min (100%)
- Battery Type: Li-ion
- Handle Material: Reinforced Nylon
- Cartridge Holder Material: Steel
- Cartridge Capacity: 400 mL (14 oz)
- Cartridge Ratio: 2:1
- Viscosity: High
- Standard Color: Black/Red
- Customized versions on demand

## DIMENSIONS

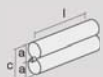


Part number	Article number	Packaging
DB2K 400-02-500-001	152605	1 per Box
DB2K 400-02-500-1US	152606 (US)	1 per Box

## MATCHING MIXPAC™ SIDE-BY-SIDE CARTRIDGES



## COMPATIBLE CARTRIDGES



**Plastic Cartridge**  
400 mL / 2:1 PP/PBT

2:1	mm	inch
l	185.0	7.28
a	Ø 47.0	Ø 1.85
b	Ø 33.0	Ø 1.3
c	96.0	3.78

## CONVERSION KITS

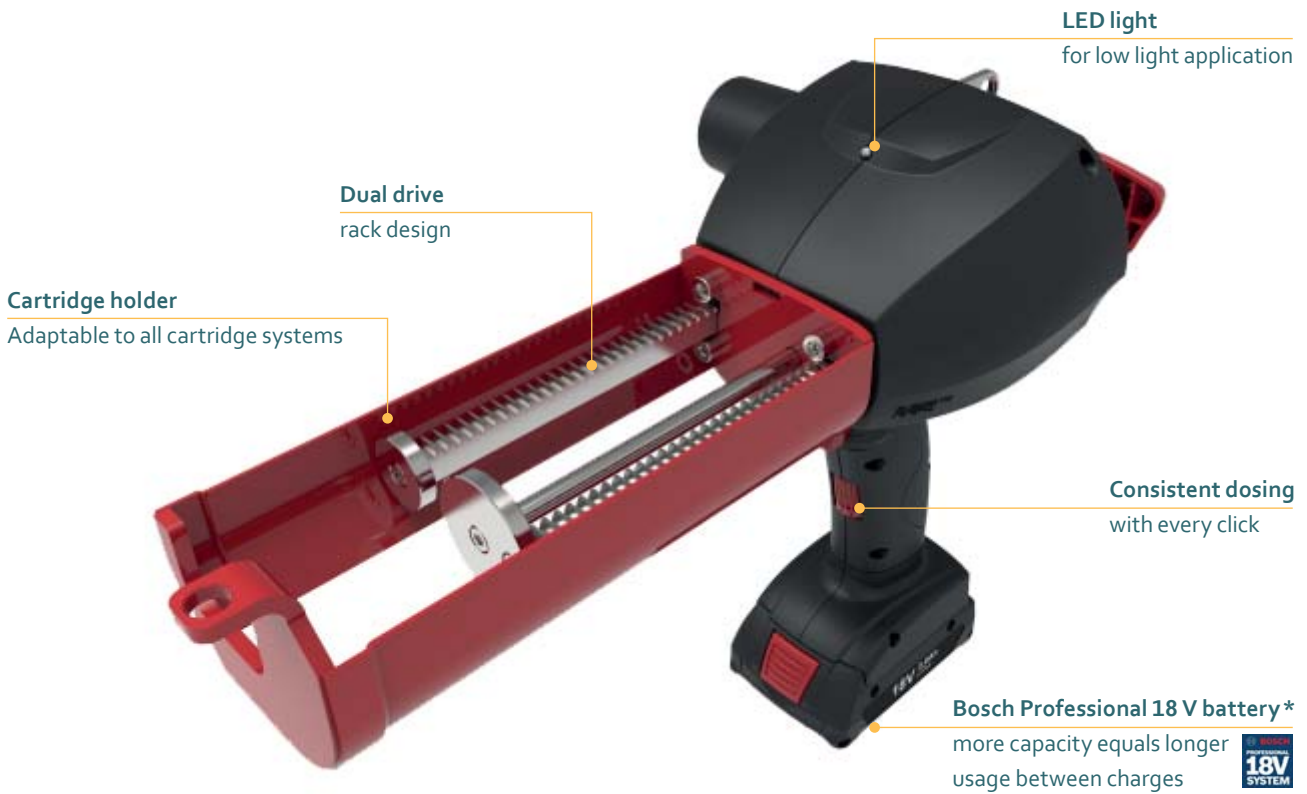
—

## MATCHING ACCESSORIES

Batteries and chargers on pages 90.

# B938 M

## 400 ML CARTRIDGE DISPENSER



Model shown: B938 M 400 mL

### FEATURES

- Unique memory function
- Dual drive rack design
- Anti-drip function
- 18 V Li-ion high performance battery
- U-opening with cartridge snap fit
- Customization possible

### BENEFITS

- Consistent dosing with every click
- Reproduces quality of each adhesive
- Clean and efficient working
- Charge time: 65 min (100%)
- For easy insertion and removal of cartridges
- Customer labelling

### APPLICATIONS



### PRODUCT BY RANGE

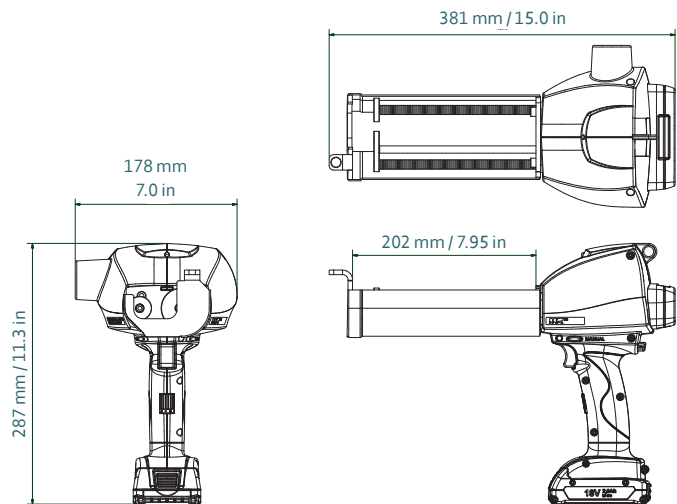


# THE B938 M 2-COMPONENT BATTERY DISPENSER IS DESIGNED FOR USE WITH HIGH VISCOSITY SEALANTS AND ADHESIVES, WHILE THE DUAL DRIVE RACK AND UNIQUE MEMORY FUNCTION REPRODUCES CONSISTENT DOSING EVERY TIME.

## SPECIFICATIONS

- Weight: 3.5 kg / 7.7 lbs
- Cartridge Holder Length: 202 mm / 7.95 in
- Maximum Thrust: 5 kN (5 mm/s)
- Voltage: 18 V
- Battery Capacity: 2.0 Ah
- Battery Charge Time: 65 min (100%)
- Battery Type: Li-ion
- Handle Material: Reinforced Nylon
- Cartridge Holder Material: Steel
- Cartridge Capacity: 400 mL (14 oz)
- Cartridge Ratio: 4:1
- Viscosity: High
- Standard Color: Black/Red
- Customized versions on demand

## DIMENSIONS



Part number	Article number	Packaging
DB2K 400-04-500-001	152607	1 per Box
DB2K 400-04-500-1US	152608 (US)	1 per Box

## MATCHING MIXPAC™ SIDE-BY-SIDE CARTRIDGES



**C-System**  
400 mL / 4:1 PP



**F-System**  
400 mL / 4:1 PP/PBT

## COMPATIBLE CARTRIDGES

—

## CONVERSION KITS

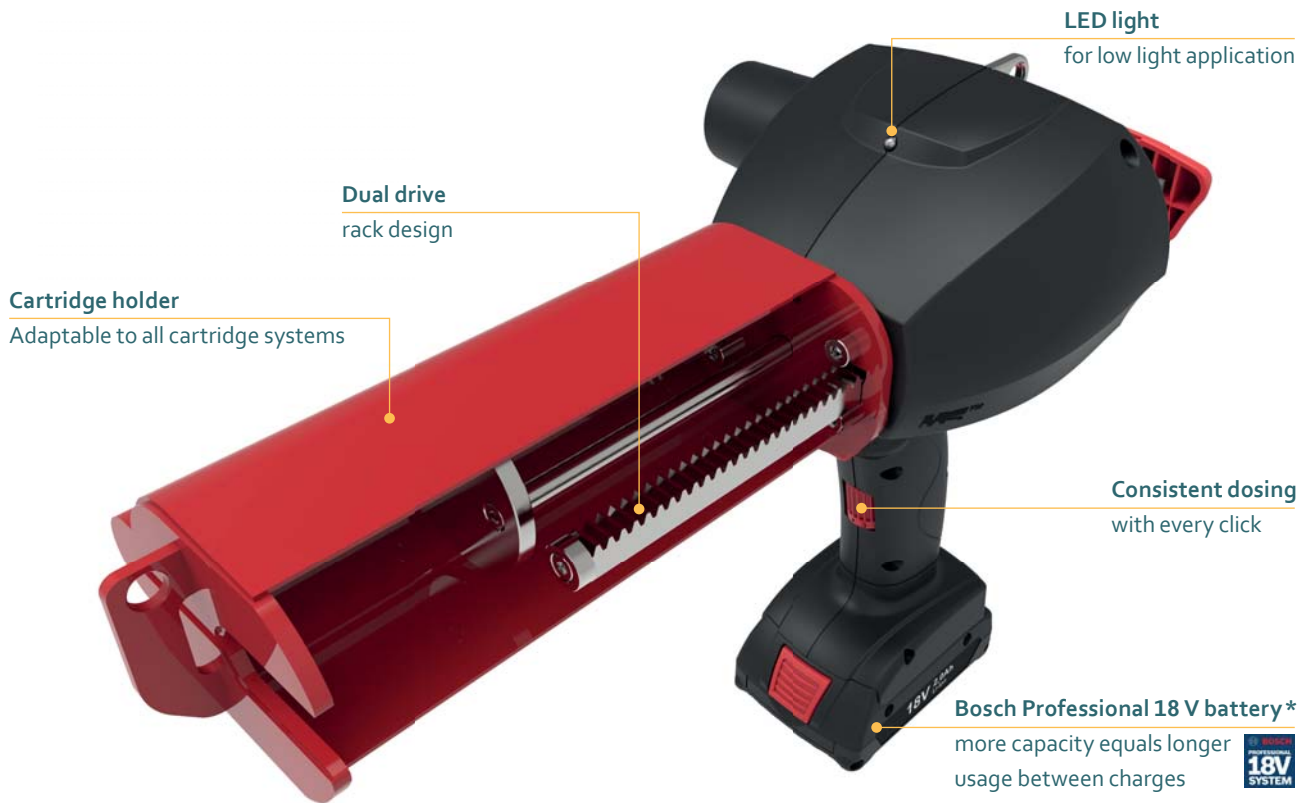
—

## MATCHING ACCESSORIES

Batteries and chargers on pages 90.

# B978 M

## 400 ML CARTRIDGE DISPENSER



Model shown: B978 M 400 mL

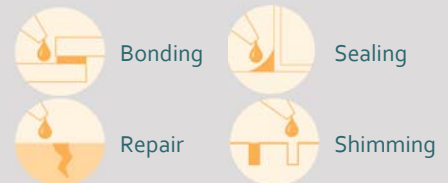
### FEATURES

- Unique memory function
- Dual drive rack design
- Anti-drip function
- 18 V Li-ion high performance battery
- U-opening with cartridge snap fit
- Customization possible

### BENEFITS

- Consistent dosing with every click
- Reproduces quality of each adhesive
- Clean and efficient working
- Charge time: 65 min (100%)
- For easy insertion and removal of cartridges
- Customer labelling

### APPLICATIONS



### PRODUCT BY RANGE



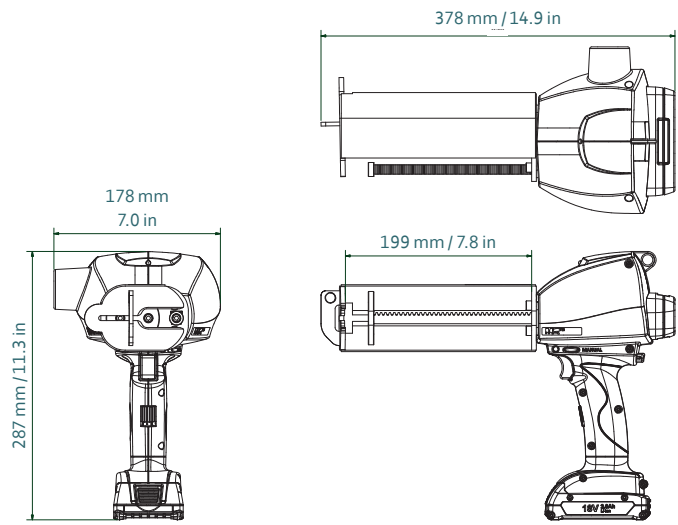


# THE B978 M 2-COMPONENT BATTERY DISPENSER DUAL DRIVE RACK AND UNIQUE MEMORY FUNCTION REPRODUCES CONSISTENT DOSING EVERY TIME, WHILE THE THE BOSCH PROFESSIONAL 18 V RE-CHARGEABLE BATTERY OFFERS LONGER USAGE BETWEEN CHARGES.

## SPECIFICATIONS

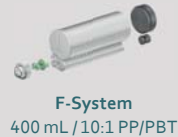
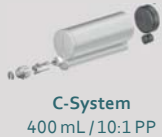
- Weight: 3.5 kg / 7.7 lbs
- Cartridge Holder Length: 199 mm / 7.8 in
- Maximum Thrust: 5 kN (5 mm/s)
- Voltage: 18 V
- Battery Capacity: 2.0 Ah
- Battery Charge Time: 65 min (100%)
- Battery Type: Li-ion
- Handle Material: Reinforced Nylon
- Cartridge Holder Material: Steel
- Cartridge Capacity: 400 mL (14 oz)
- Cartridge Ratio: 10:1
- Viscosity: High
- Standard Color: Black/Red
- Customized versions on demand

## DIMENSIONS



Part number	Article number	Packaging
DB2K 400-10-500-001	152609	1 per Box
DB2K 400-10-500-1US	152610 (US)	1 per Box

## MATCHING MIXPAC™ SIDE-BY-SIDE CARTRIDGES



## COMPATIBLE CARTRIDGES



10:1	mm	inch
l	185.0	7.28
a	Ø 65.0	Ø 2.56
b	Ø 19.5	Ø 0.77
c	94.0	3.7

## CONVERSION KITS

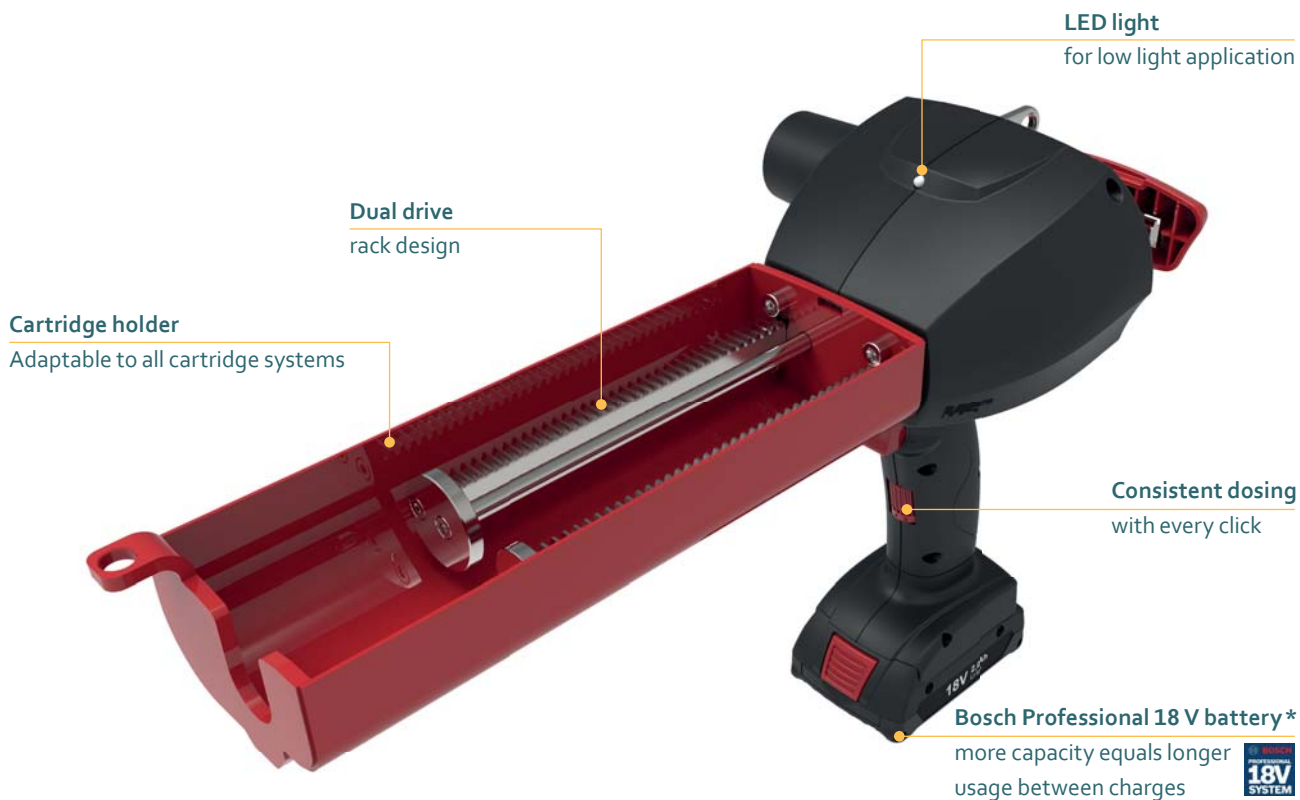
—

## MATCHING ACCESSORIES

Batteries and chargers on pages 90.

# B944 K

## 365/385/585 ML CARTRIDGE DISPENSER



Model shown: B944 K 585 mL

### FEATURES

- Unique memory function
- Dual drive rack design
- Anti-drip function
- 18 V Li-ion high performance battery
- U-opening with cartridge snap fit
- Customization possible

### BENEFITS

- Consistent dosing with every click
- Reproduces quality of each adhesive
- Clean and efficient working
- Charge time: 65 min (100%)
- For easy insertion and removal of cartridges
- Customer labelling

### APPLICATIONS



### PRODUCT BY RANGE



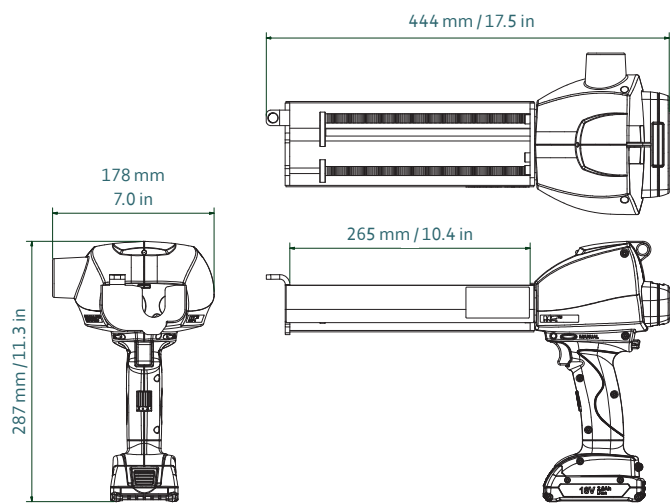
B944 K

# THE B944 K 2-COMPONENT BATTERY DISPENSER IS DESIGNED FOR USE WITH LOW TO MEDIUM VISCOSITY SEALANTS AND ADHESIVES, WHILE THE THE BOSCH PROFESSIONAL 18 V RE-CHARGEABLE BATTERY OFFERS LONGER USAGE BETWEEN CHARGES.

## SPECIFICATIONS

- Weight: 3.5 kg / 7.7 lbs
- Cartridge Holder Length: 265 mm / 10.4 in
- Maximum Thrust: 2.7 kN (5 mm/s)
- Voltage: 18 V
- Battery Capacity: 2.0 Ah
- Battery Charge Time: 65 min (100%)
- Battery Type: Li-ion
- Handle Material: Reinforced Nylon
- Cartridge Holder Material: Steel
- Cartridge Capacity: 365 mL (12.3 oz), 385 mL (13.5 oz), 585 mL (20.6 oz)
- Cartridge Ratio: 3:1
- Viscosity: Low/Medium
- Standard Color: Black/Red
- Customized versions on demand

## DIMENSIONS



Part number	Article number	Packaging
DB2K 585-03-270-001	154476	1 per Box

## MATCHING MIXPAC™ SIDE-BY-SIDE CARTRIDGES

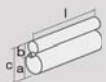


**J-System**  
365 mL / 3:1 PP

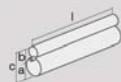


**ecopaCC Cartridge**  
600 mL / 3:1

## COMPATIBLE SIDE-BY-SIDE CARTRIDGES



**Plastic Cartridge**  
385 mL / 3:1 PP/PA



**Plastic Cartridge**  
585 mL / 3:1 PP/PA

3:1	mm	inch
l	171.0	6.73
a	Ø 54.4	Ø 2.14
b	Ø 32.6	Ø 1.28
c	90.0	3.54

3:1	mm	inch
l	244.0	9.6
a	Ø 54.4	Ø 2.14
b	Ø 32.6	Ø 1.28
c	90.0	3.54

## CONVERSION KITS

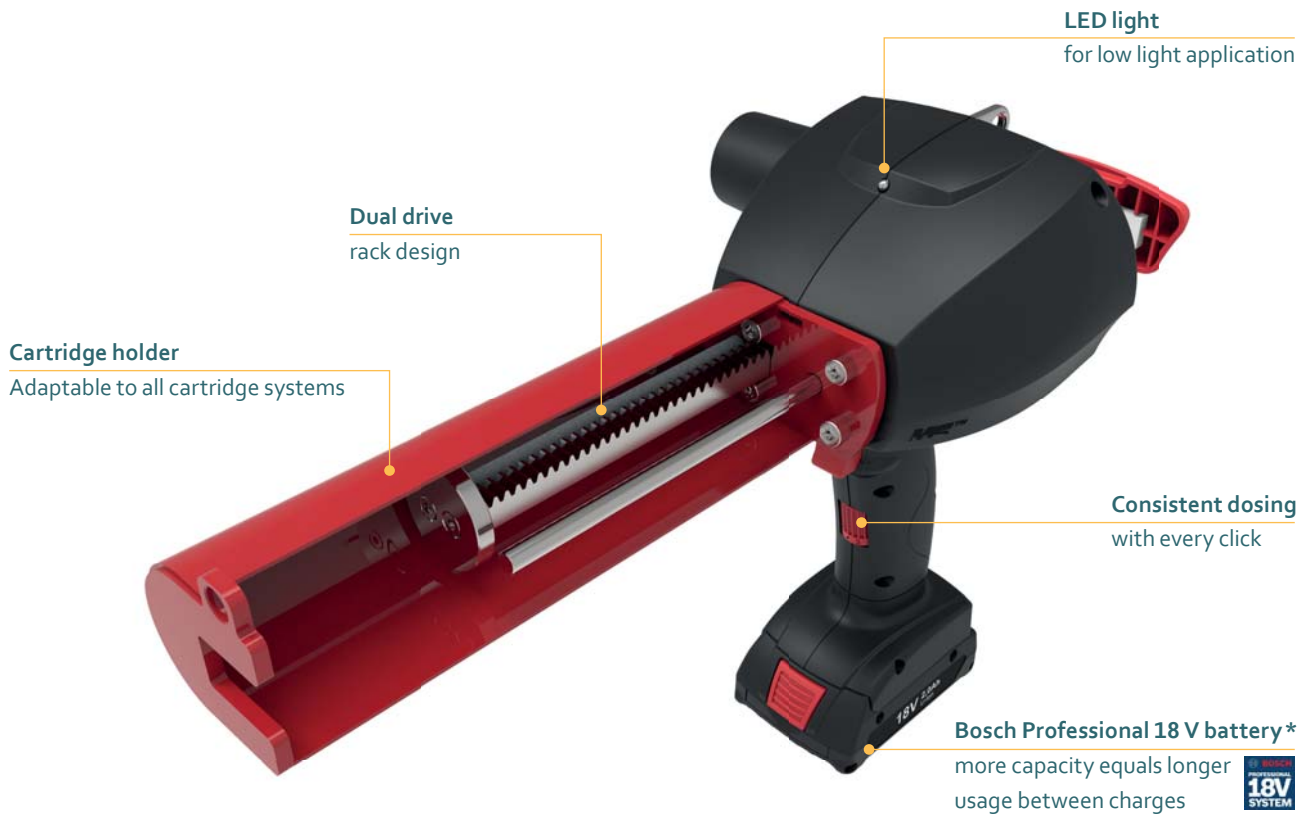
—

## MATCHING ACCESSORIES

Batteries and chargers on pages 90.

# B960 M

## 350 ML CARTRIDGE DISPENSER



Model shown: B960 M 345 mL

### FEATURES

- Unique memory function
- Dual drive rack design
- Anti-drip function
- 18 V Li-ion high performance battery
- U-opening with cartridge snap fit
- Customization possible

### BENEFITS

- Consistent dosing with every click
- Reproduces quality of each adhesive
- Clean and efficient working
- Charge time: 65 min (100%)
- For easy insertion and removal of cartridges
- Customer labelling

### APPLICATIONS



### PRODUCT BY RANGE



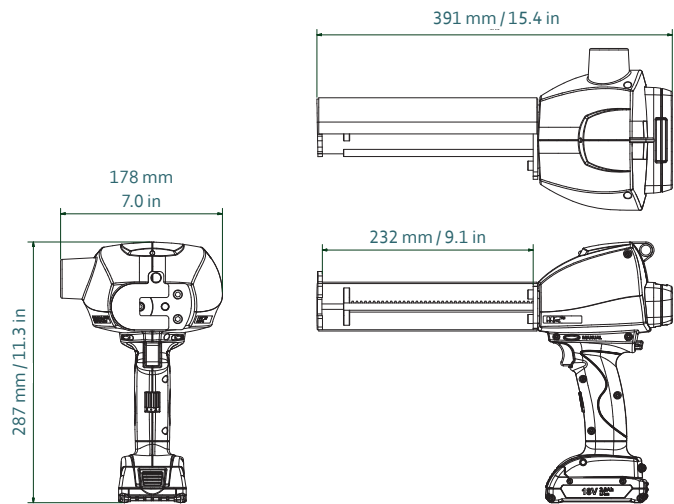
B960 M

# THE B960 M 2-COMPONENT BATTERY DISPENSER OFFERS CONSISTENT DOSING WITH EVERY CLICK, WHILE ACCIDENTAL MATERIAL DISCHARGE IS PREVENTED WITH THE BUILT-IN ANTI-DRIP MECHANISM.

## SPECIFICATIONS

- Weight: 3.4 kg / 7.4 lbs
- Cartridge Holder Length: 232 mm / 9.1 in
- Maximum Thrust: 2.8 kN (5 mm/s)
- Voltage: 18 V
- Battery Capacity: 2.0 Ah
- Battery Charge Time: 65 min (100%)
- Battery Type: Li-ion
- Handle Material: Reinforced Nylon
- Cartridge Holder Material: Steel
- Cartridge Capacity: 350 mL (12.3 oz)
- Cartridge Ratio: 10:1
- Viscosity: Low/Medium
- Standard Color: Black/Red
- Customized versions on demand

## DIMENSIONS



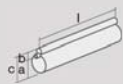
Part number	Article number	Packaging
DB2K 350-10-280-001	152602	1 per Box

## MATCHING MIXPAC™ SIDE-BY-SIDE CARTRIDGES



J-System  
350 mL / 10:1 PA

## COMPATIBLE CARTRIDGES



Plastic Cartridge  
345 mL / 10:1 PP/PA

10:1	mm	inch
l	215.0	8.46
a	Ø 50.0	Ø 1.97
b	Ø 18.0	Ø 0.71
c	69.0	2.72

## CONVERSION KITS

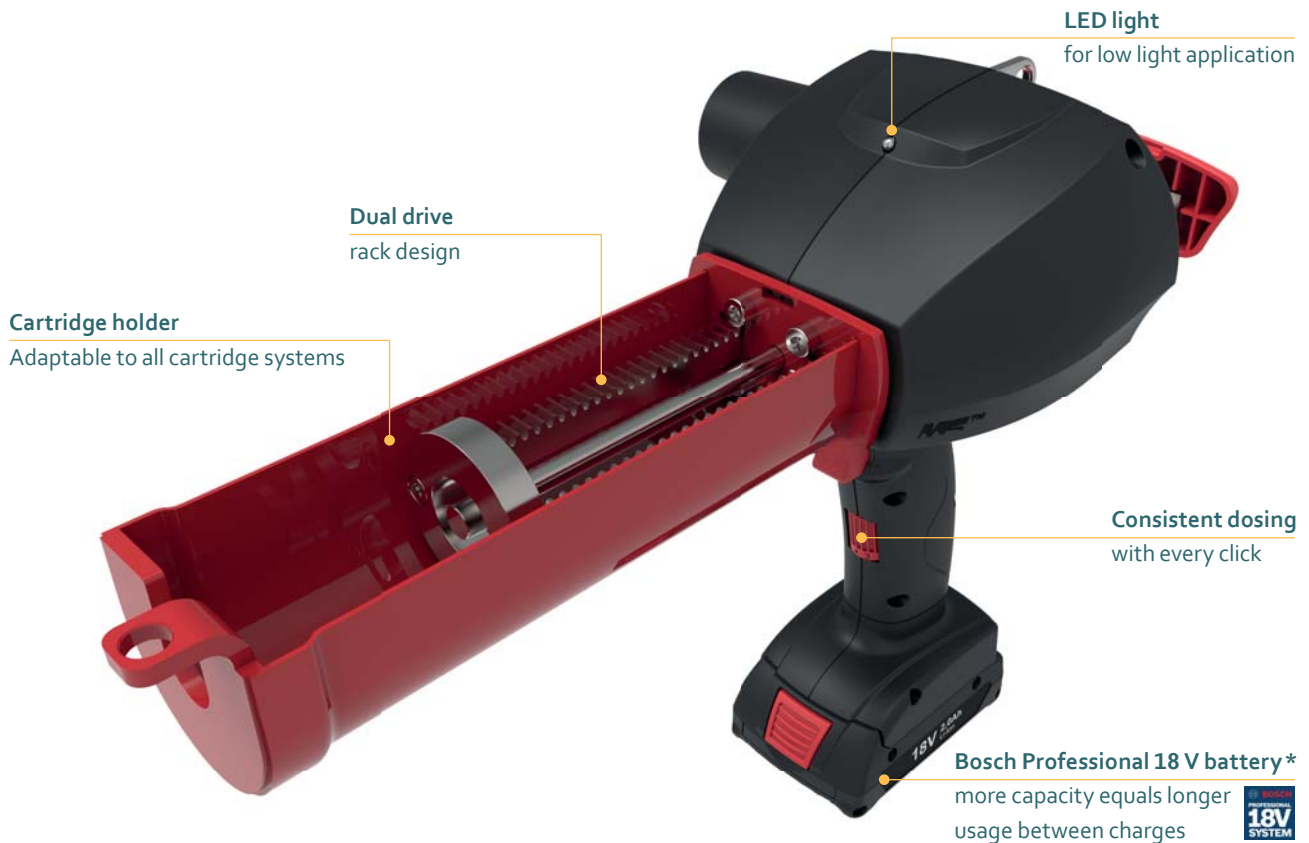
—

## MATCHING ACCESSORIES

Batteries and chargers on pages 90.

# B985 M

## 380 ML CARTRIDGE DISPENSER



Model shown: B985 M 380 mL

### FEATURES

- Unique memory function
- Dual drive rack design
- Anti-drip function
- 18 V Li-ion high performance battery
- U-opening with cartridge snap fit
- Customization possible

### BENEFITS

- Consistent dosing with every click
- Reproduces quality of each adhesive
- Clean and efficient working
- Charge time: 65 min (100%)
- For easy insertion and removal of cartridges
- Customer labelling

### APPLICATIONS



### PRODUCT BY RANGE



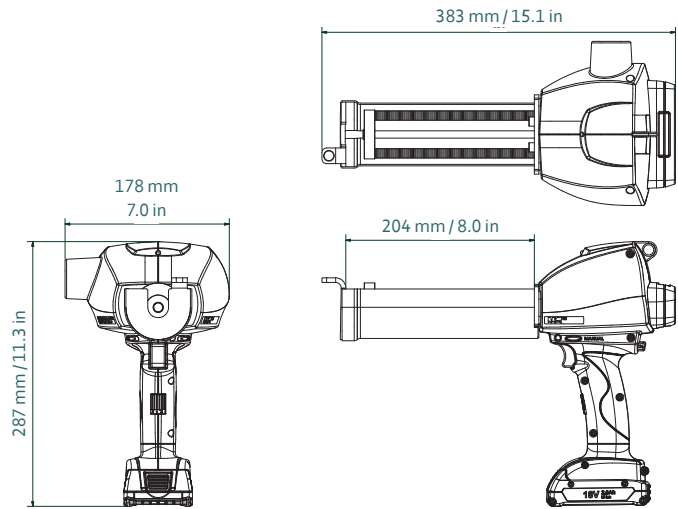
B985 M

# THE B985 M 2-COMPONENT BATTERY DISPENSER IS DESIGNED FOR USE WITH LOW TO MEDIUM VISCOSITY SEALANTS AND ADHESIVES. THE DUAL DRIVE RACK AND UNIQUE MEMORY FUNCTION REPRODUCES CONSISTENT DOSING EVERY TIME.

## SPECIFICATIONS

- Weight: 3.3 kg / 7.3 lbs
- Cartridge Holder Length: 204 mm / 8.0 in
- Maximum Thrust: 2.75 kN (5 mm/s)
- Voltage: 18 V
- Battery Capacity: 2.0 Ah
- Battery Charge Time: 65 min (100%)
- Battery Type: Li-ion
- Handle Material: Reinforced Nylon
- Cartridge Holder Material: Steel
- Cartridge Capacity: 380 mL (13.4 oz)
- Cartridge Ratio: 10:1
- Viscosity: Low/Medium
- Standard Color: Black/Red
- Customized versions on demand

## DIMENSIONS



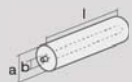
Part number	Article number	Packaging
DB2K 380-10-275-101	158093	1 per Box

## MATCHING MIXPAC™ COAXIAL CARTRIDGES



**Q-System**  
380 mL / 10:1 PA

## COMPATIBLE CARTRIDGES



**Plastic Cartridge**  
380 mL / 10:1 PP/PA

10:1	mm	inch
l	183.0	7.2
a	Ø 63.0	Ø 2.5
b	Ø 18.0	Ø 0.71

## CONVERSION KITS

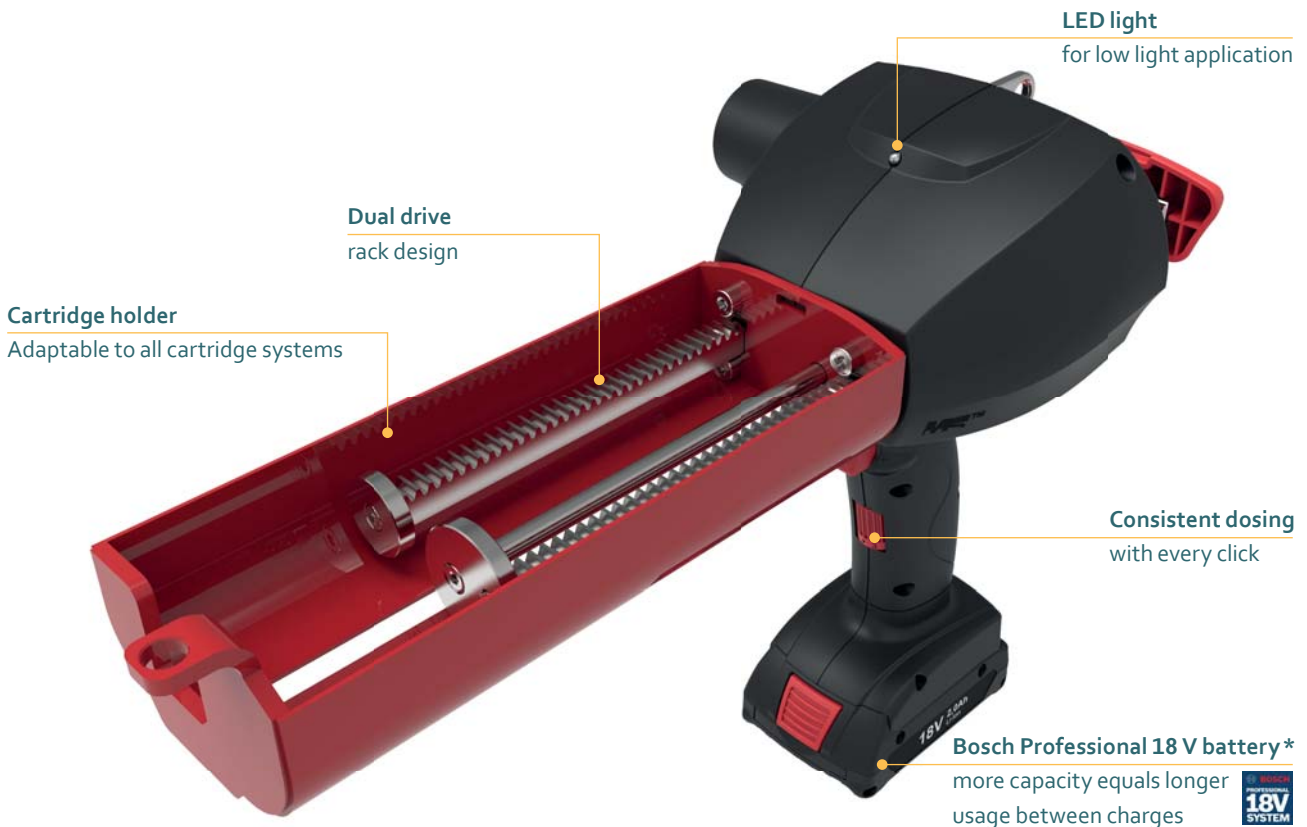
—

## MATCHING ACCESSORIES

Batteries and chargers on pages 90.

# B959 M

## 450 ML CARTRIDGE DISPENSER



Model shown: B959 M 450 mL

### FEATURES

- Unique memory function
- Dual drive rack design
- Anti-drip function
- 18 V Li-ion high performance battery
- U-opening with cartridge snap fit
- Customization possible

### BENEFITS

- Consistent dosing with every click
- Reproduces quality of each adhesive
- Clean and efficient working
- Charge time: 65 min (100%)
- For easy insertion and removal of cartridges
- Customer labelling

### APPLICATIONS



### PRODUCT BY RANGE



B959 M

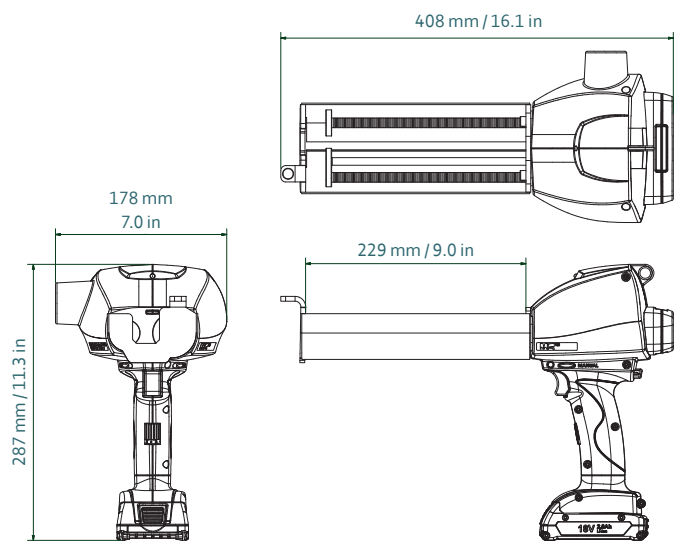


# THE B959 M 2-COMPONENT BATTERY DISPENSERS U-OPENING STEEL FRAME ALLOWS FOR EASY INSERTION AND REMOVAL OF CARTRIDGES, WHILE THE DUAL DRIVE RACK AND UNIQUE MEMORY FUNCTION REPRODUCES CONSISTENT DOSING EVERY TIME.

## SPECIFICATIONS

- Weight: 3.5 kg / 7.7 lbs
- Cartridge Holder Length: 229 mm / 9.0 in
- Maximum Thrust: 4.45 kN (5 mm/s)
- Voltage: 18 V
- Battery Capacity: 2.0 Ah
- Battery Charge Time: 65 min (100%)
- Battery Type: Li-ion
- Handle Material: Reinforced Nylon
- Cartridge Holder Material: Steel
- Cartridge Capacity: 450 mL (15.8 oz)
- Cartridge Ratio: 2:1
- Viscosity: Low/Medium
- Standard Color: Black/Red
- Customized versions on demand

## DIMENSIONS



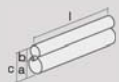
Part number	Article number	Packaging
DB2K 450-02-445-101	152611	1 per Box
DB2K 450-02-445-1US	152612 (US)	1 per Box

## MATCHING MIXPAC™ COAXIAL CARTRIDGES



**J-System**  
450 mL / 2:1 PA/PP

## COMPATIBLE CARTRIDGES



**Plastic Cartridge**  
450 mL / 2:1 PP/PA

2:1	mm	inch
l	215.0	8.46
a	Ø 49.5	Ø 1.95
b	Ø 36.2	Ø 1.43
c	86.0	3.39

## CONVERSION KITS

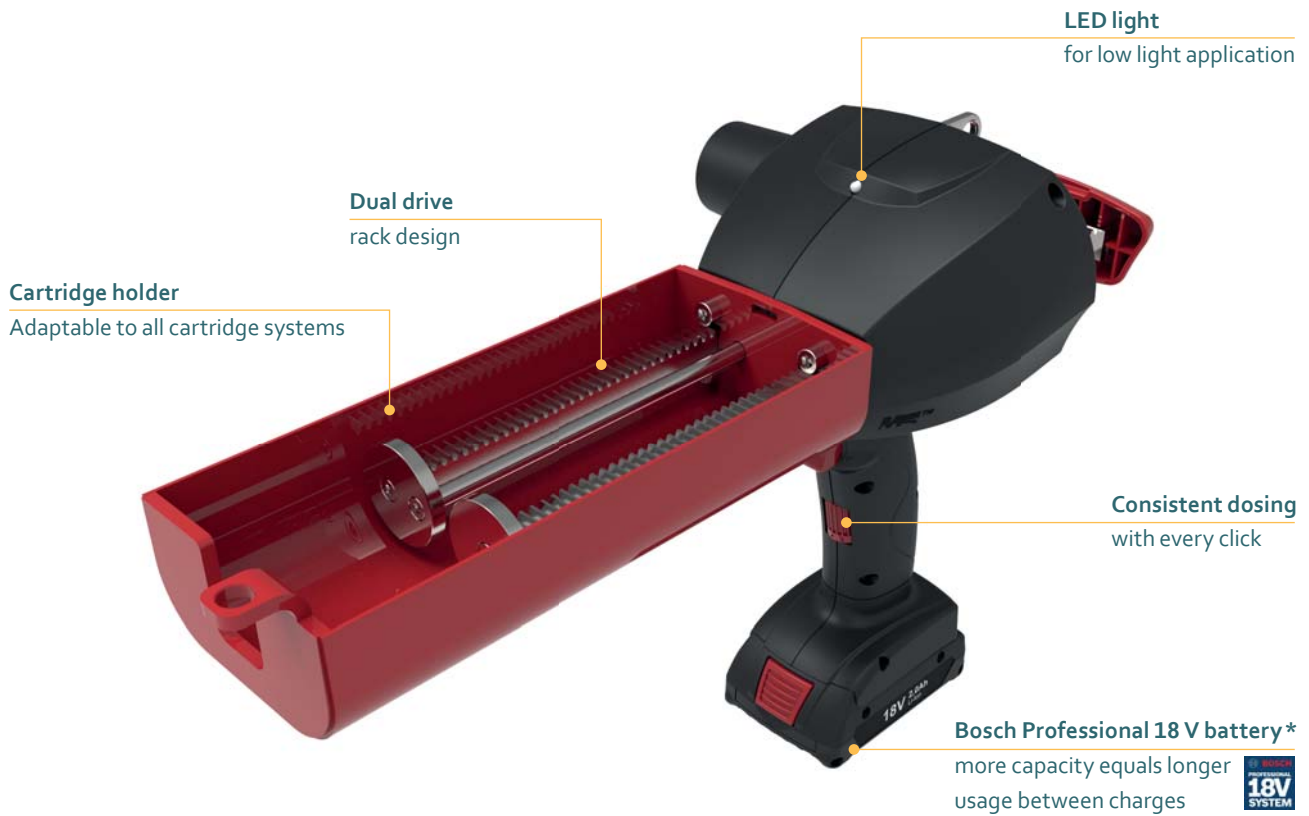
—

## MATCHING ACCESSORIES

Batteries and chargers on pages 90.

# B988 M

## 600 ML CARTRIDGE DISPENSER



Model shown: B988 M 600 mL

### FEATURES

- Unique memory function
- Dual drive rack design
- Anti-drip function
- 18 V Li-ion high performance battery
- U-opening with cartridge snap fit
- Customization possible

### BENEFITS

- Consistent dosing with every click
- Reproduces quality of each adhesive
- Clean and efficient working
- Charge time: 65 min (100%)
- For easy insertion and removal of cartridges
- Customer labelling

### APPLICATIONS



### PRODUCT BY RANGE



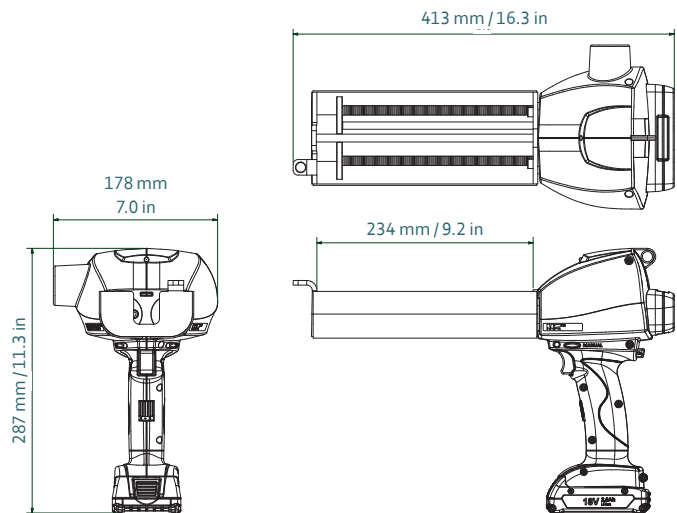
B988 M

# THE B988 M 2-COMPONENT BATTERY DISPENSER IS DESIGNED FOR USE WITH MEDIUM VISCOSITY SEALANTS AND ADHESIVES, WHILE THE BOSCH PROFESSIONAL 18 V RE-CHARGEABLE BATTERY OFFERS LONGER USAGE BETWEEN CHARGES.

## SPECIFICATIONS

- Weight: 3.6 kg / 7.9 lbs
- Cartridge Holder Length: 234 mm / 9.2 in
- Maximum Thrust: 4.73 kN (5 mm/s)
- Voltage: 18 V
- Battery Capacity: 2.0 Ah
- Battery Charge Time: 65 min (100%)
- Battery Type: Li-ion
- Handle Material: Reinforced Nylon
- Cartridge Holder Material: Steel
- Cartridge Capacity: 600 mL (21.1 oz)
- Cartridge Ratio: 1:1
- Viscosity: Medium
- Standard Color: Black/Red
- Customized versions on demand

## DIMENSIONS



Part number	Article number	Packaging
DB2K 600-01-473-1US	152613 (US)	1 per Box
DB2K 600-01-473-101	152454	1 per Box

## MATCHING MIXPAC™ SIDE-BY-SIDE CARTRIDGES

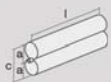


**J-System**  
600 mL / 1:1 PP



**ecopaCC**  
600 mL / 1:1 PP/PA

## COMPATIBLE CARTRIDGES



**Plastic Cartridge**  
600 mL / 1:1 PP

1:1	mm	inch
l	217.0	8.54
a	∅ 48.0	∅ 1.89
c	95.5	3.76

## CONVERSION KITS

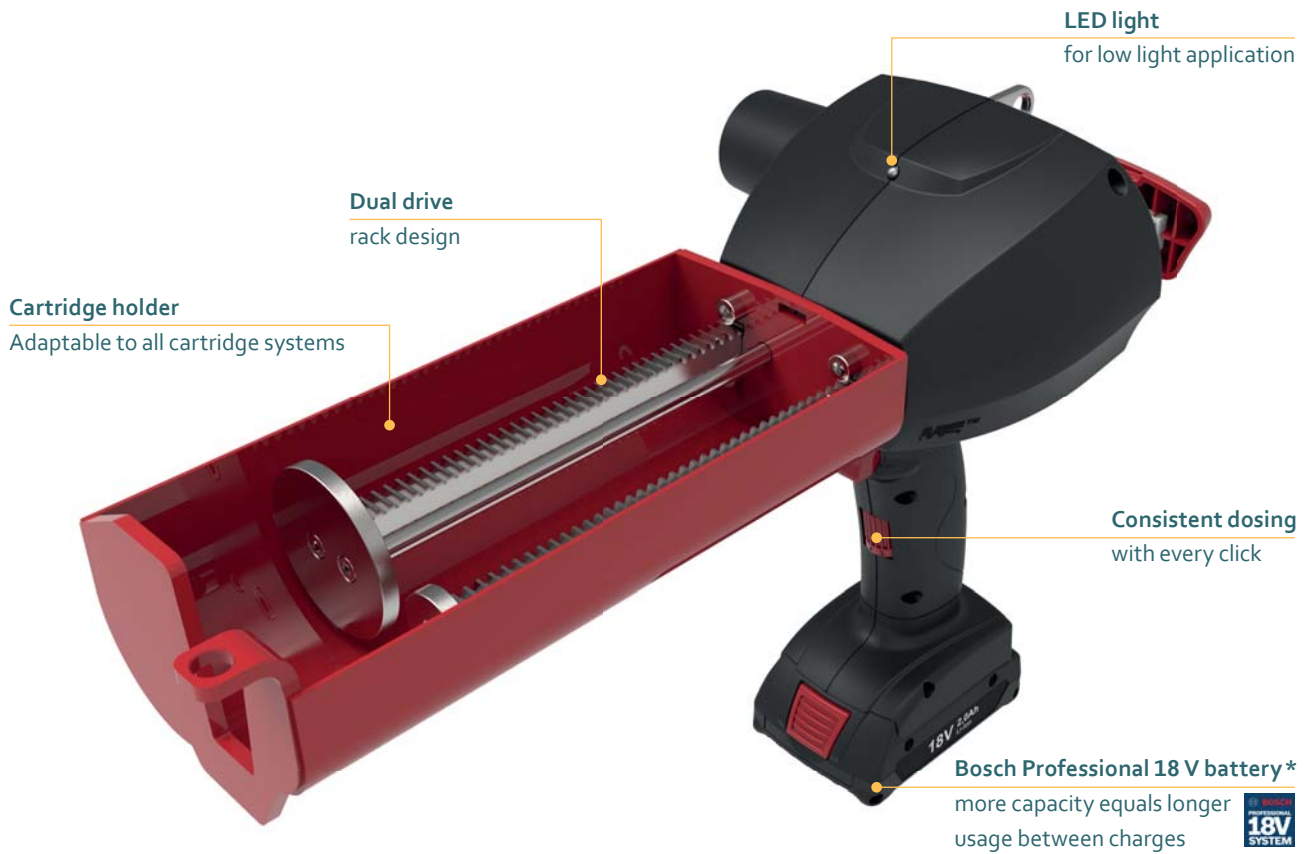
—

## MATCHING ACCESSORIES

Batteries and chargers on pages 90.

# B996 M

## 750 ML CARTRIDGE DISPENSER



Model shown: B996 M 750 mL

### FEATURES

- Unique memory function
- Dual drive rack design
- Anti-drip function
- 18 V Li-ion high performance battery
- U-opening with cartridge snap fit
- Customization possible

### BENEFITS

- Consistent dosing with every click
- Reproduces quality of each adhesive
- Clean and efficient working
- Charge time: 65 min (100%)
- For easy insertion and removal of cartridges
- Customer labelling

### APPLICATIONS



### PRODUCT BY RANGE



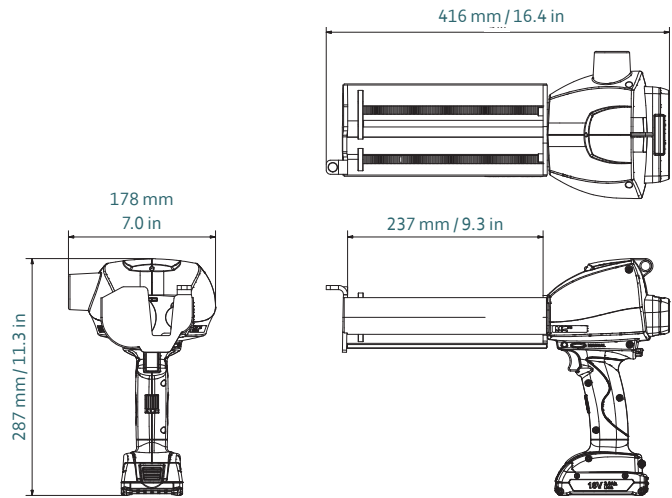
B996 M

# THE B996 2-COMPONENT BATTERY DISPENSER IS DESIGNED FOR USE WITH MEDIUM TO HIGH VISCOSITY SEALANTS AND ADHESIVES AND BUILT-IN ANTI-DRIP FUNCTION FOR CLEAN EFFICIENT WORKING.

## SPECIFICATIONS

- Weight: 3.7 kg / 8.1 lbs
- Cartridge Holder Length: 237 mm / 9.3 in
- Maximum Thrust: 5.0 kN
- Voltage: 18 V
- Battery Capacity: 2.0 Ah
- Battery Charge Time: 65 min (100%)
- Battery Type: Li-ion
- Handle Material: Reinforced Nylon
- Cartridge Holder Material: Steel
- Cartridge Capacity: 750 mL (25.4 oz)
- Cartridge Ratio: 4:1
- Viscosity: Low/Medium
- Standard Color: Black/Red
- Customized versions on demand

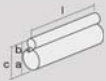
## DIMENSIONS



Part number	Article number	Packaging
DB2K 750-04-500-001	178345	1 per Box

## MATCHING MIXPAC™ CARTRIDGES

## COMPATIBLE CARTRIDGES



Plastic Cartridge  
750 mL / 4:1 PP

4:1	mm	inch
l	217.0	8.54
a	Ø 68.0	Ø 2.68
b	Ø 34.0	Ø 1.34
c	102.0	4.0

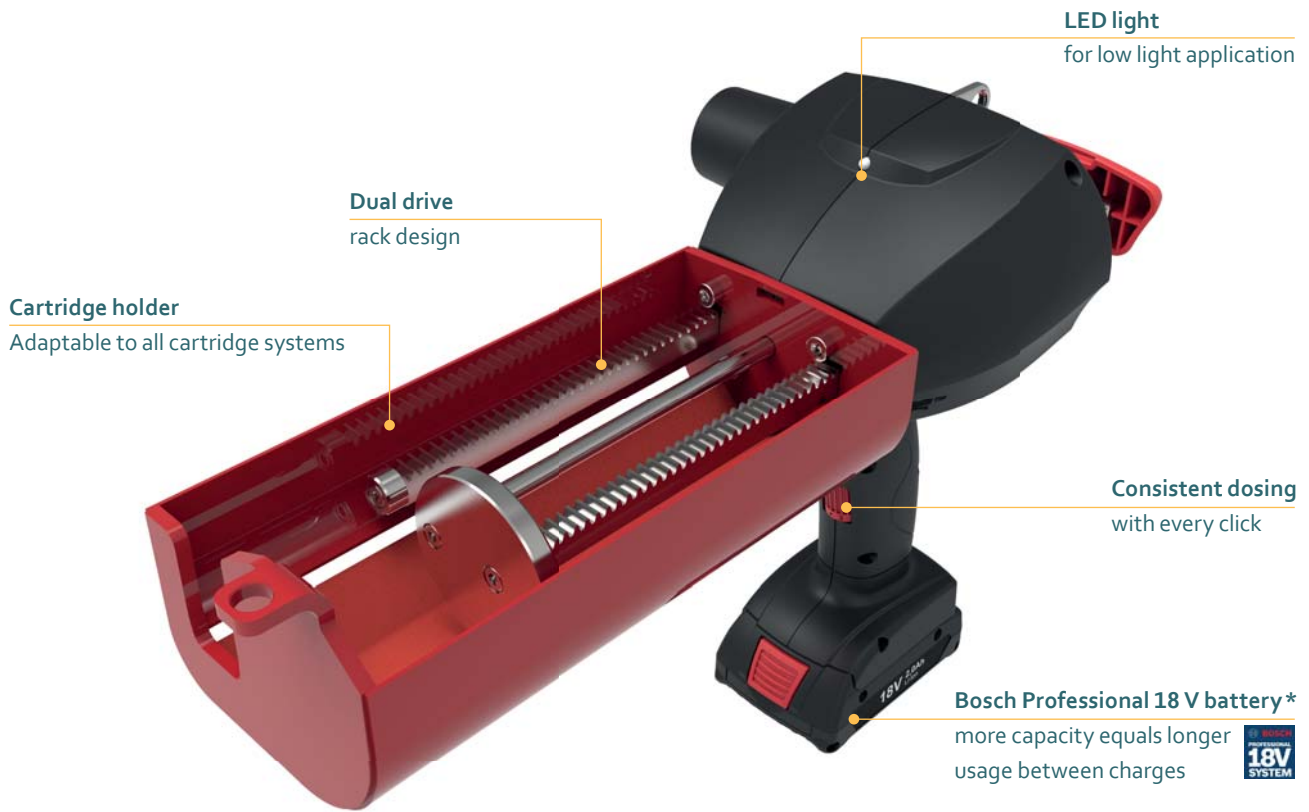
## CONVERSION KITS

## MATCHING ACCESSORIES

Batteries and chargers on pages 90.

# B998 M

## 825 ML CARTRIDGE DISPENSER



Model shown: B998 M 825 mL

### FEATURES

- Unique memory function
- Dual drive rack design
- Anti-drip function
- 18 V Li-ion high performance battery
- U-opening with cartridge snap fit
- Customization possible

### BENEFITS

- Consistent dosing with every click
- Reproduces quality of each adhesive
- Clean and efficient working
- Charge time: 65 min (100%)
- For easy insertion and removal of cartridges
- Customer labelling

### APPLICATIONS



### PRODUCT BY RANGE



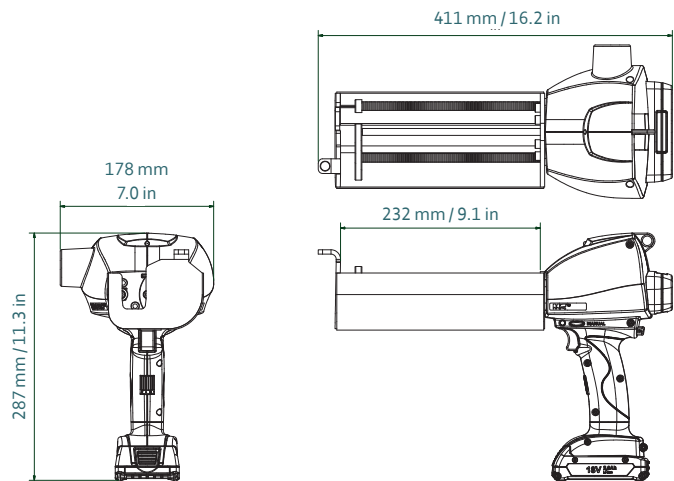
B998 M

# THE B998 M 2-COMPONENT BATTERY DISPENSER DUAL DRIVE RACK AND UNIQUE MEMORY FUNCTION REPRODUCES CONSISTENT DOSING EVERY TIME, WHILE THE BOSCH PROFESSIONAL 18 V RE-CHARGEABLE BATTERY OFFERS LONGER USAGE BETWEEN CHARGES.

## SPECIFICATIONS

- Weight: 3.7 kg / 8.1 lbs
- Cartridge Holder Length: 232 mm / 9.1 in
- Maximum Thrust: 5 kN (5 mm/s)
- Voltage: 18 V
- Battery Capacity: 2.0 Ah
- Battery Charge Time: 65 min (100%)
- Battery Type: Li-ion
- Handle Material: Reinforced Nylon
- Cartridge Holder Material: Steel
- Cartridge Capacity: 825 mL (29 oz)
- Cartridge Ratio: 10:1
- Viscosity: Medium
- Standard Color: Black/Red
- Customized versions on demand

## DIMENSIONS



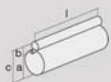
Part number	Article number	Packaging
DB2K 825-10-500-101	152614	1 per Box
DB2K 825-10-500-1US	152615 (US)	1 per Box

## MATCHING MIXPAC™ SIDE-BY-SIDE CARTRIDGES



**J-System**  
825 mL / 10:1 PA

## COMPATIBLE CARTRIDGES



**Plastic Cartridge**  
825 mL / 10:1 PP

10:1	mm	inch
l	216.0	8.5
a	Ø 80.7	Ø 3.18
b	Ø 28.6	Ø 1.13
c	109.0	4.29

## CONVERSION KITS

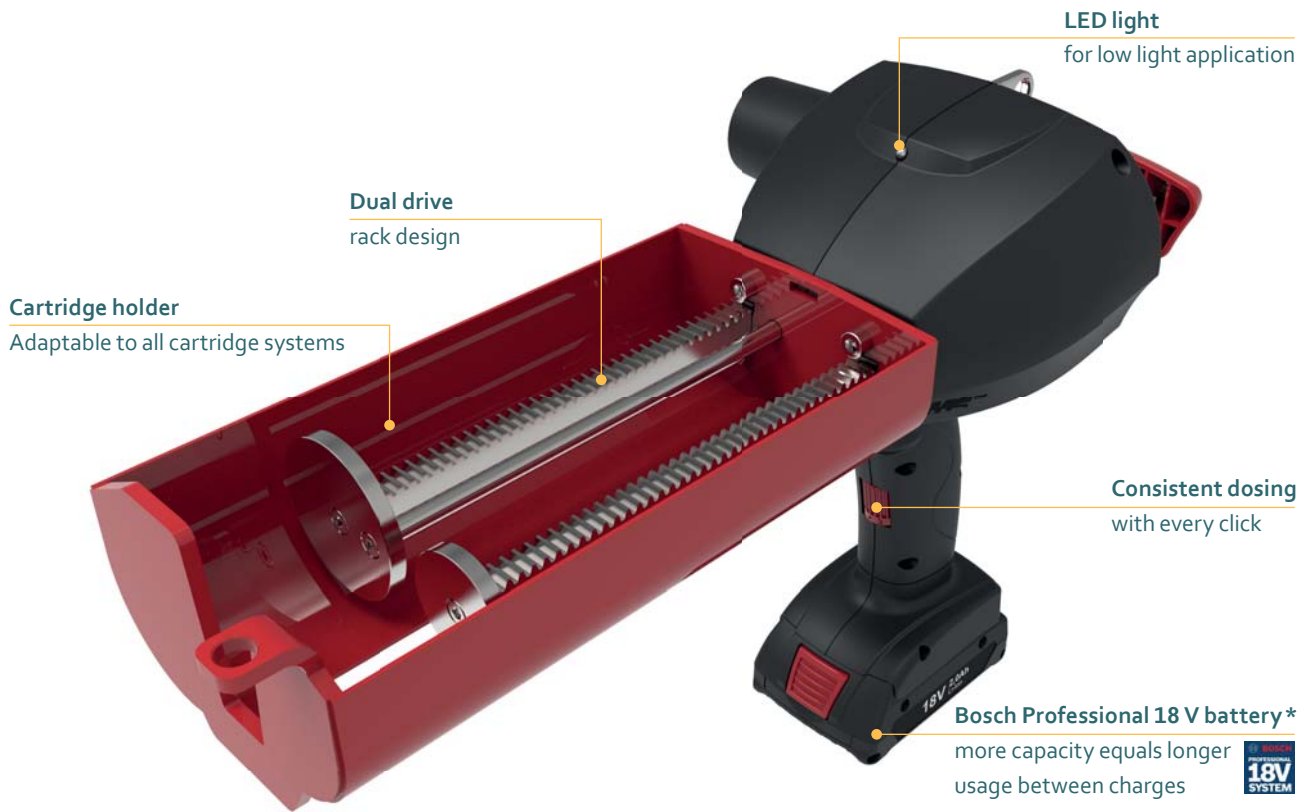
—

## MATCHING ACCESSORIES

Batteries and chargers on pages 90.

# B939 M

## 900 ML CARTRIDGE DISPENSER



Model shown: B939 M 900 mL

### FEATURES

- Unique memory function
- Dual drive rack design
- Anti-drip function
- 18 V Li-ion high performance battery
- U-opening with cartridge snap fit
- Customization possible

### BENEFITS

- Consistent dosing with every click
- Reproduces quality of each adhesive
- Clean and efficient working
- Charge time: 65 min (100%)
- For easy insertion and removal of cartridges
- Customer labelling

### APPLICATIONS



### PRODUCT BY RANGE



B939 M

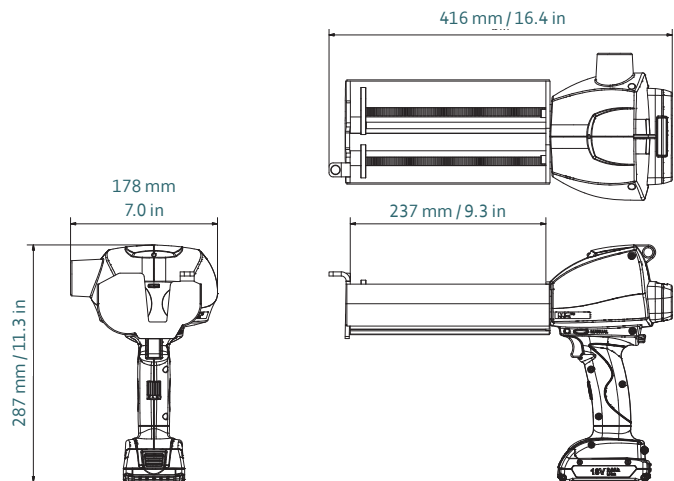


# THE B939 2-COMPONENT BATTERY DISPENSER IS DESIGNED FOR USE WITH MEDIUM TO HIGH VISCOSITY SEALANTS AND ADHESIVES, WHILE THE BOSCH PROFESSIONAL 18 V RE-CHARGEABLE BATTERY OFFERS LONGER USAGE BETWEEN CHARGES.

## SPECIFICATIONS

- Weight: 3.5 kg / 7.7 lbs
- Cartridge Holder Length: 237 mm / 9.3 in
- Maximum Thrust: 5.0 kN (5 mm/s)
- Voltage: 18 V
- Battery Capacity: 2.0 Ah
- Battery Charge Time: 65 min (100%)
- Battery Type: Li-ion
- Handle Material: Reinforced Nylon
- Cartridge Holder Material: Steel
- Cartridge Capacity: 900 mL (30.4 oz)
- Cartridge Ratio: 2:1
- Viscosity: Medium/High
- Standard Color: Black/Red
- Customized versions on demand

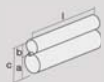
## DIMENSIONS



Part number	Article number	Packaging
DB2K 900-02-500-001	178336	1 per Box

## MATCHING MIXPAC™ CARTRIDGES

## COMPATIBLE CARTRIDGES



Plastic Cartridge  
900 mL / 2:1 PP/PA

2:1	mm	inch
l	215.0	8.46
a	Ø 69.0	Ø 2.72
b	Ø 50.0	Ø 1.97
c	119.0	4.69

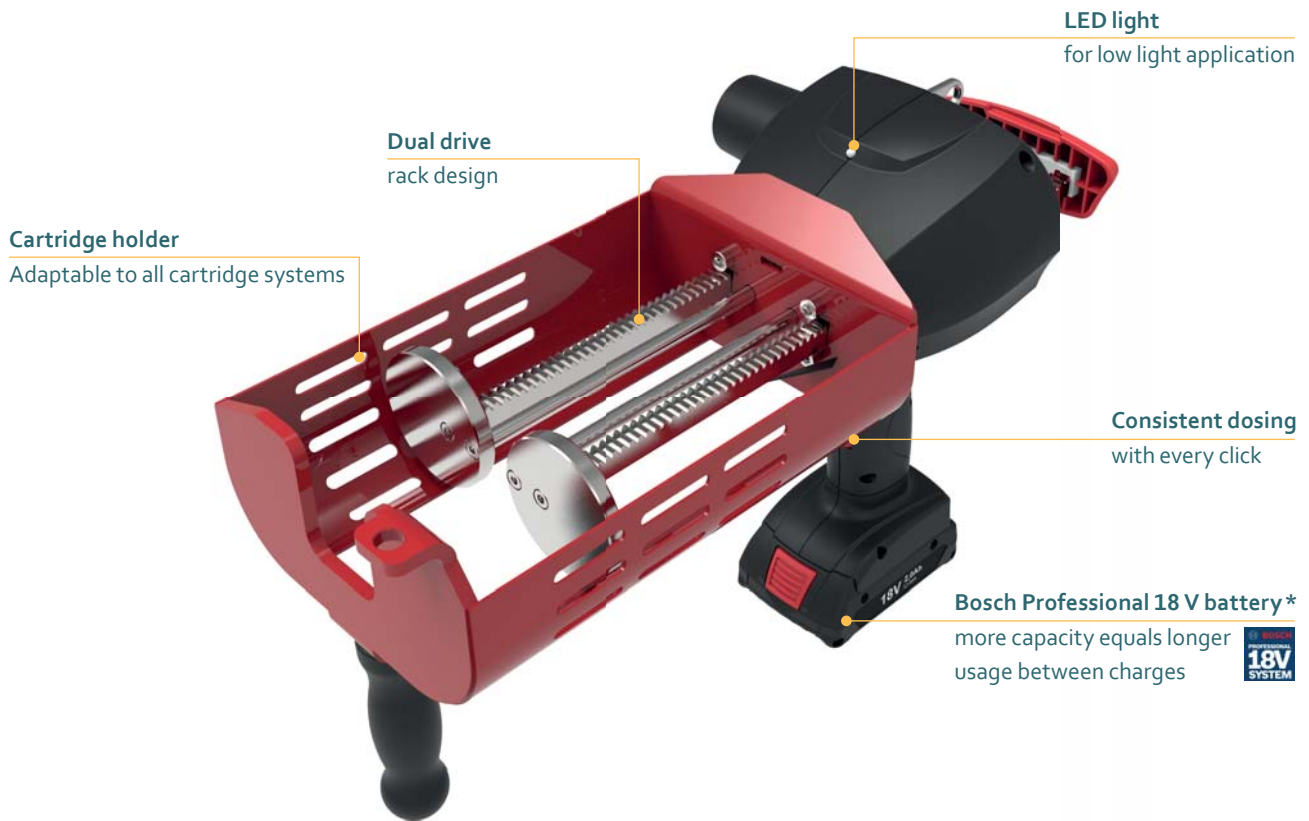
## CONVERSION KITS

## MATCHING ACCESSORIES

Batteries and chargers on pages 90.

# B999 M

## 1500 ML CARTRIDGE DISPENSER



Model shown: B999 M 1500 mL

### FEATURES

- Unique memory function
- Dual drive rack design
- Anti-drip function
- 18 V Li-ion high performance battery
- U-opening with cartridge snap fit
- Customization possible

### BENEFITS

- Consistent dosing with every click
- Reproduces quality of each adhesive
- Clean and efficient working
- Charge time: 65 min (100%)
- For easy insertion and removal of cartridges
- Customer labelling

### APPLICATIONS



### PRODUCT BY RANGE



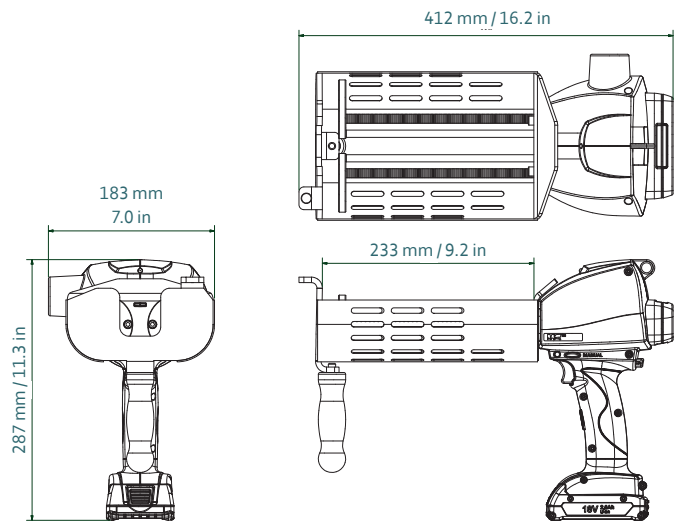
B999 M

# THE B999 M 2-COMPONENT BATTERY DISPENSER DUAL DRIVE RACK AND UNIQUE MEMORY FUNCTION REPRODUCES CONSISTENT DOSING EVERY TIME. ACCIDENTAL MATERIAL DISCHARGE IS PREVENTED WITH THE BUILT-IN ANTI-DRIP MECHANISM.

## SPECIFICATIONS

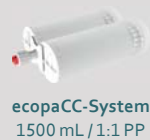
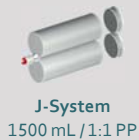
- Weight: 4.2 kg / 7.9 lbs
- Cartridge Holder Length: 233 mm / 9.2 in
- Maximum Thrust: 5 kN (5 mm/s)
- Voltage: 18 V
- Battery Capacity: 2.0 Ah
- Battery Charge Time: 65 min (100%)
- Battery Type: Li-ion
- Handle Material: Reinforced Nylon
- Cartridge Holder Material: Steel
- Cartridge Capacity: 1500 mL (52.8 oz)
- Cartridge Ratio: 1:1
- Viscosity: Medium
- Standard Color: Black/Red
- Customized versions on demand

## DIMENSIONS



Part number	Article number	Packaging
DB2K 1500-01-500-01	152616	1 per Box
DB2K 1500-01-500-1US	152617 (US)	1 per Box

## MATCHING MIXPAC™ SIDE-BY-SIDE CARTRIDGES



## COMPATIBLE CARTRIDGES



1:1	mm	inch
l	215.0	8.46
a	Ø 79.0	Ø 3.11
c	160.0	6.3

## CONVERSION KITS

—

## MATCHING ACCESSORIES

Batteries and chargers on pages 90.

# TS408 HM-101

## 50 ML CARTRIDGE DISPENSER

**Quick cartridge exchange**  
for efficient working

**Simple dispensing**  
one hand speed adjustment

**Reinforced nylon handle**  
compact and lightweight



Model shown: TS408 HM-101 50 mL

### FEATURES

- Quick cartridge exchange
- One hand pressure adjustment
- Anti-drip function
- Reinforced nylon handle
- Customization possible

### BENEFITS

- For efficient working
- Simple dispensing, effective working
- Clean application
- Compact and lightweight
- Customer labelling

### APPLICATIONS



Bonding

### PRODUCT BY RANGE

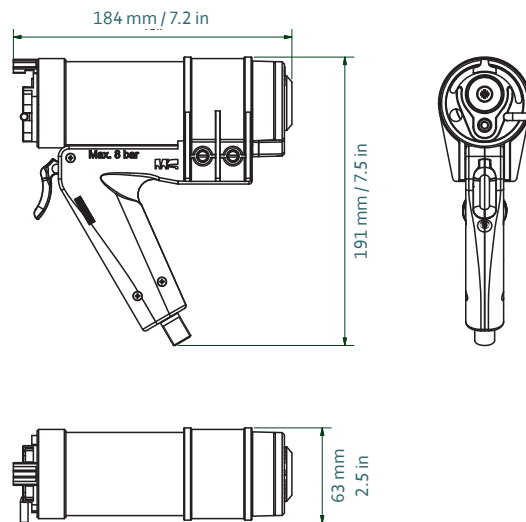


# THE TS408 HM-101 2-COMPONENT PNEUMATIC DISPENSER OFFERS QUICK CARTRIDGE EXCHANGE FOR EFFICIENT WORKING ACROSS ALL YOUR APPLICATIONS WHILE THE ANTI-DRIP FUNCTION MAKES FOR EASY AND CLEAN DISPENSING.

## SPECIFICATIONS

- Light weight: 0.73 kg / 1.6 lbs
- Dispenser Length: 184 mm / 7.2 in
- Maximum Thrust: 1.3 kN
- Maximum Pneumatic Pressure: 8 bar / 116 psi
- Air Consumption: 40 litres/min
- Handle Material: Reinforced Nylon
- Cartridge Holder Material: Reinforced Nylon
- Cartridge Capacity: 50 mL (1.8 oz)
- Cartridge Ratio: 10:1
- Viscosity: Low
- Standard Color: Black
- Customized versions on demand

## DIMENSIONS



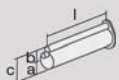
Part number	Article number	Packaging
DP2K S50-10-130-001	151886	1 per Box

## MATCHING MIXPAC™ SIDE-BY-SIDE CARTRIDGES



**BS-System**  
50 mL / 10:1 PP/PBT

## COMPATIBLE SIDE-BY-SIDE CARTRIDGES



**Round Flange Cartridge**  
50 mL / 10:1 PP/PBT

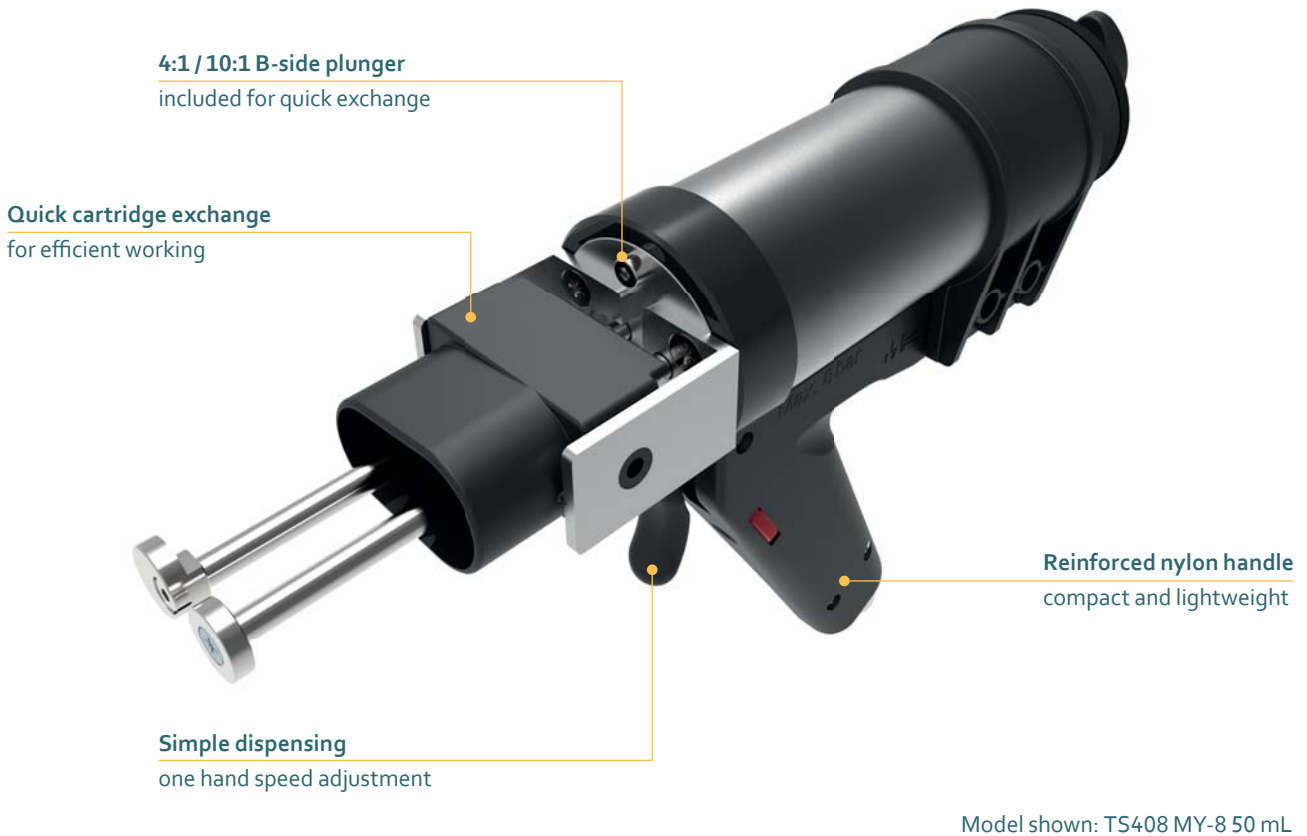
10:1	mm	inch
l	102.0	4.02
a	Ø 30.0	Ø 1.18
b	Ø 10.8	Ø 0.43
c	44.0	1.73

## CONVERSION KITS

## MATCHING ACCESSORIES

# TS408 MY-8

## 50 ML CARTRIDGE DISPENSER



### FEATURES

- Quick cartridge exchange
- One hand pressure adjustment
- Anti-drip function
- Reinforced nylon handle
- Customization possible

### BENEFITS

- For efficient working
- Simple dispensing, effective working
- Clean application
- Compact and lightweight
- Customer labelling

### APPLICATIONS



Bonding

### PRODUCT BY RANGE

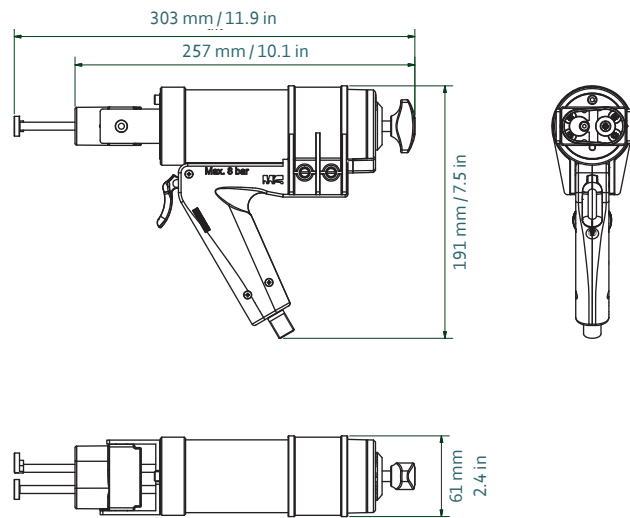


# THE TS408 MY-8 2-COMPONENT PNEUMATIC DISPENSERS ONE-HANDED PRESSURE ADJUSTMENT ALLOWS FOR SIMPLE EFFECTIVE OPERATION WHILE THE QUICK CARTRIDGE EXCHANGE OFFERS EFFICIENT WORKING ACROSS ALL YOUR APPLICATIONS.

## SPECIFICATIONS

- Lightweight: 0.73 kg / 1.6 lbs
- Dispenser Length: 303 mm / 11.9 in
- Maximum Thrust: 1.3 kN
- Maximum Pneumatic Pressure: 8 bar / 116 psi
- Air Consumption: 40 litres/min
- Handle Material: Reinforced Nylon
- Cartridge Holder Material: Reinforced Nylon
- Cartridge Capacity: 50 mL (1.8 oz), 75 mL (2.7 oz)
- Cartridge Ratios: 1:1, 2:1, 4:1, 10:1
- Viscosity: High
- Standard Color: Black
- Customized versions on demand

## DIMENSIONS



Part number	Article number	Packaging
DP2K 050-MR-130-001	151780 (50 mL)	1 per Box

## MATCHING MIXPAC™ SIDE-BY-SIDE CARTRIDGES



**A-System**  
50 mL / 1:1 PP/PA



**B-System**  
50 mL / 1:1 PP/PA



**A-System**  
50 mL / 2:1 PP/PA



**B-System**  
50 mL / 2:1 PP/PA

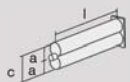


**A-System**  
50 mL / 4:1 PP/PA

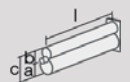


**A-System**  
50 mL / 10:1 PP/PA

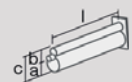
## COMPATIBLE CARTRIDGES



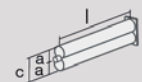
**Rectangular Flange Cartridge**  
50 mL / 1:1 PP/PBT



**Rectangular Flange Cartridge**  
50 mL / 2:1 PP/PBT



**Rectangular Flange Cartridge**  
50 mL / 4:1 PP/PBT



**Rectangular Flange Cartridge**  
50 mL / 10:1 PP/PBT

	1:1	mm	inch	2:1	mm	inch	4:1	mm	inch	10:1	mm	inch
l		99.7	3.93	l	108.5	4.27	l	108.5	4.27	l	102.0	4.02
a		Ø 21.0	Ø 0.83	a	Ø 25.0	Ø 0.89	a	Ø 25.0	Ø 0.89	a	Ø 30.0	Ø 1.18
c		46.0	1.81	b	Ø 18.0	Ø 0.71	b	Ø 13.0	Ø 0.51	b	Ø 10.8	Ø 0.43
				c	46.0	1.81	c	46.0	1.81	c	44.0	1.73

## CONVERSION KITS

## MATCHING ACCESSORIES

# TS408 M-75

## 75 ML CARTRIDGE DISPENSER



Model shown: TS408 M-75 75 mL

### FEATURES

- Quick cartridge exchange
- One hand pressure adjustment
- Anti-drip function
- Reinforced nylon handle
- Customization possible

### BENEFITS

- For efficient working
- Simple dispensing, effective working
- Clean application
- Compact and lightweight
- Customer labelling

### APPLICATIONS



Bonding

### PRODUCT BY RANGE



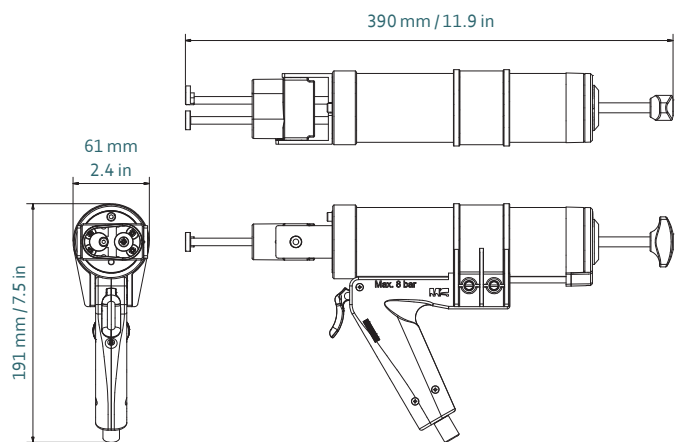


# THE TS408 M-75 2-COMPONENT PNEUMATIC DISPENSERS ONE-HANDED PRESSURE ADJUSTMENT ALLOWS FOR SIMPLE EFFECTIVE OPERATION WHILE THE QUICK CARTRIDGE EXCHANGE OFFERS EFFICIENT WORKING ACROSS ALL YOUR APPLICATIONS.

## SPECIFICATIONS

- Lightweight: 0.73 kg / 1.6 lbs
- Dispenser Length: 390 mm / 11.9 in
- Maximum Thrust: 1.3 kN
- Maximum Pneumatic Pressure: 8 bar / 116 psi
- Air Consumption: 40 litres/min
- Handle Material: Reinforced Nylon
- Cartridge Holder Material: Reinforced Nylon
- Cartridge Capacity: 75 mL (2.7 oz)
- Cartridge Ratio: 1:1
- Viscosity: High
- Standard Color: Black
- Customized versions on demand

## DIMENSIONS



Part number	Article number	Packaging
DP2K 075-MR-130-001	153098 (75 mL)	1 per Box

## MATCHING MIXPAC™ SIDE-BY-SIDE CARTRIDGES



A-System  
75 mL / 1:1 PP/PA

## COMPATIBLE CARTRIDGES

—

## CONVERSION KITS

—

## MATCHING ACCESSORIES

—

# TS408 EM

## 50 ML CARTRIDGE DISPENSER

**Quick cartridge exchange**  
for efficient working



**Reinforced nylon handle**  
compact and lightweight

**Simple dispensing**  
one hand speed adjustment

Model shown: TS408 EM 50 mL

### FEATURES

- Quick cartridge exchange
- One hand pressure adjustment
- Anti-drip function
- Reinforced nylon handle
- Customization possible

### BENEFITS

- For efficient working
- Simple dispensing, effective working
- Clean application
- Compact and lightweight
- Customer labelling

### APPLICATIONS



Bonding

### PRODUCT BY RANGE



T408 HM-101

TS408 MY-8

TS408 M-75

TS408 EM

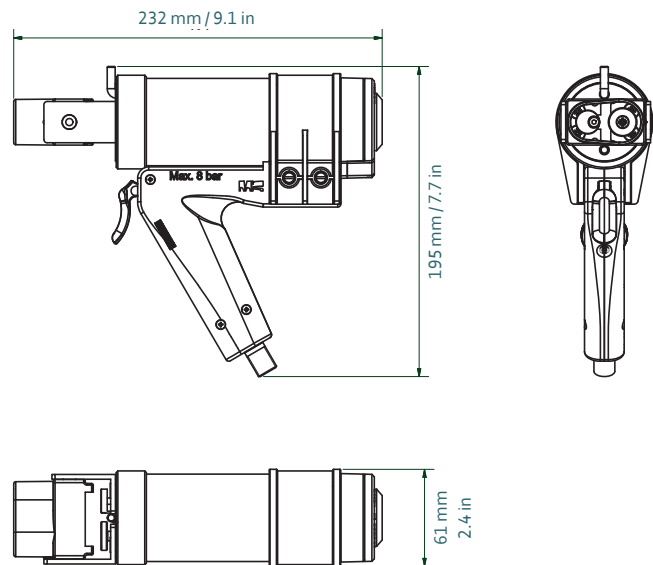
TS408 BM

# THE TS408 EM 2-COMPONENT PNEUMATIC DISPENSERS ONE-HANDED PRESSURE ADJUSTMENT ALLOWS FOR SIMPLE EFFECTIVE OPERATION, WHILE THE ANTI-DRIP FUNCTION MAKES FOR EASY AND CLEAN DISPENSING.

## SPECIFICATIONS

- Lightweight: 0.73 kg / 1.6 lbs
- Dispenser Length: 232 mm / 9.1 in
- Maximum Thrust: 1.3 kN
- Maximum Pneumatic Pressure: 8 bar / 116 psi
- Air Consumption: 40 litres/min
- Handle Material: Reinforced Nylon
- Cartridge Holder Material: Reinforced Nylon
- Cartridge Capacity: 50 mL (1.8 oz)
- Cartridge Ratios: 1:1, 2:1, 3:2
- Viscosity: High
- Standard Color: Black
- Customized versions on demand

## DIMENSIONS

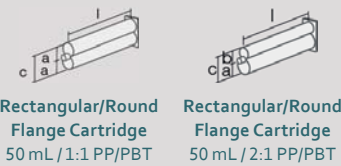


Part number	Article number	Packaging
DP2K 050-12-130-101	151781	1 per Box

## MATCHING MIXPAC™ SIDE-BY-SIDE CARTRIDGES



## COMPATIBLE CARTRIDGES



1:1		2:1	
mm	inch	mm	inch
l	99.7	108.5	4.27
a	∅ 21.0	∅ 25.0	∅ 0.89
c	46.0	∅ 18.0	∅ 0.71
	1.81	46.0	1.81

## CONVERSION KITS

## MATCHING ACCESSORIES

# TS408 BM

## 50 ML CARTRIDGE DISPENSER



Model shown: TS408 BM 50 mL

### FEATURES

- Quick cartridge exchange
- One hand pressure adjustment
- Anti-drip function
- Reinforced nylon handle
- Customization possible

### BENEFITS

- For efficient working
- Simple dispensing, effective working
- Clean application
- Compact and lightweight
- Customer labelling

### APPLICATIONS



Bonding

### PRODUCT BY RANGE

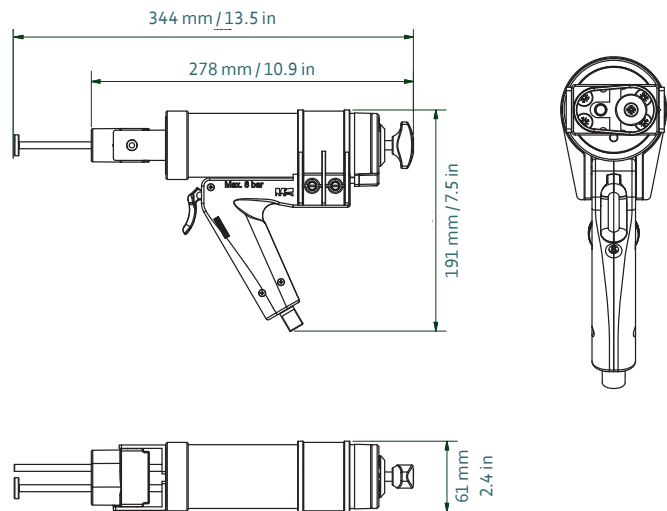


# THE TS408 BM 2-COMPONENT PNEUMATIC DISPENSERS ANTI-DRIP FUNCTION MAKES FOR EASY AND CLEAN DISPENSING. A ONE-HANDED PRESSURE ADJUSTMENT ALLOWS FOR SIMPLE EFFECTIVE OPERATION.

## SPECIFICATIONS

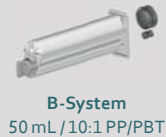
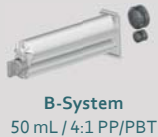
- Lightweight: 0.73 kg / 1.6 lbs
- Dispenser Length: 344 mm / 13.5 in
- Maximum Thrust: 1.3 kN
- Maximum Pneumatic Pressure: 8 bar / 116 psi
- Air Consumption: 40 litres/min
- Handle Material: Reinforced Nylon
- Cartridge Holder Material: Reinforced Nylon
- Cartridge Capacity: 50 mL (1.8 oz)
- Cartridge Ratio: 4:1, 10:1
- Viscosity: High
- Standard Color: Black
- Customized versions on demand

## DIMENSIONS

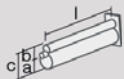


Part number	Article number	Packaging
DP2K 050-41-130-001	153094	1 per Box

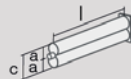
## MATCHING MIXPAC™ SIDE-BY-SIDE CARTRIDGES



## COMPATIBLE CARTRIDGES



**Rectangular Flange Cartridge**  
50 mL / 4:1 PP/PBT



**Rectangular Flange Cartridge**  
50 mL / 10:1 PP/PBT

4:1	mm	inch
l	108.5	4.27
a	Ø 25.0	Ø 0.89
b	Ø 13.0	Ø 0.51
c	46.0	1.81

10:1	mm	inch
l	102.0	4.02
a	Ø 30.0	Ø 1.18
b	Ø 10.8	Ø 0.43
c	44.0	1.73

## CONVERSION KITS

## MATCHING ACCESSORIES

# TS483 XM

## 400 ML CARTRIDGE DISPENSER



**Simple dispensing**  
one hand speed adjustment

**Compact reinforced**  
nylon handle

**Air operated plunger retraction**  
rapid reset/reload

Model shown: TS483 XM 400 mL

### FEATURES

- Air operated plunger retraction
- One hand pressure adjustment
- Anti-drip function
- Long life technology
- Customization possible

### BENEFITS

- Quick cartridge exchange
- Simple dispensing speed adjustment
- Clean application
- Precise working
- Customer labelling

### APPLICATIONS



### PRODUCT BY RANGE

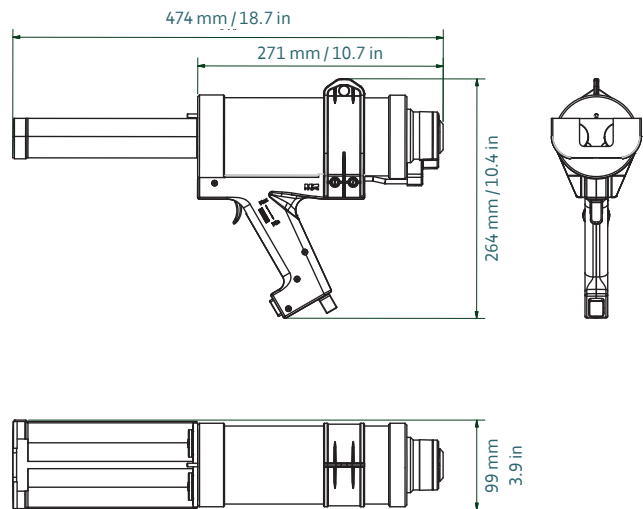


# THE TS483 XM IS A 2-COMPONENT PNEUMATIC DISPENSER DESIGNED FOR USE WITH MEDIUM TO HIGH VISCOSITY SEALANTS AND ADHESIVES. A ONE-HANDED PRESSURE ADJUSTMENT ALLOWS FOR SIMPLE EFFECTIVE OPERATION.

## SPECIFICATIONS

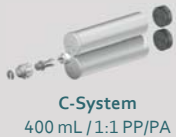
- Lightweight: 2.6 kg / 5.6 lbs
- Cartridge Holder Length: 203 mm / 8.0 in
- Maximum Thrust: 4 kN
- Maximum Pneumatic Pressure: 8 bar / 116 psi
- Air Consumption: 40 litres/min
- Handle Material: Reinforced Nylon
- Cartridge Holder Material: Aluminum
- Frame Material: Steel
- Cartridge Capacity: 400 mL (14.1 oz)
- Cartridge Ratio: 1:1
- Viscosity: Medium/High
- Standard Color: Black/Red
- Customized versions on demand

## DIMENSIONS

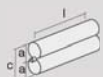


Part number	Article number	Packaging
DP2K 400-01-400-001	152309	1 per Box

## MATCHING MIXPAC™ SIDE-BY-SIDE CARTRIDGES



## COMPATIBLE SIDE-BY-SIDE CARTRIDGES



**Plastic Cartridge**  
400 mL / 1:1 PP/PBT

1:1	mm	inch
l	185.0	7.28
a	Ø 45.0	Ø 1.77
c	93.0	3.66

## CONVERSION KITS

## MATCHING ACCESSORIES

# TS483 LXM

## 400 ML CARTRIDGE DISPENSER



**Simple dispensing**  
one hand speed adjustment

**Compact reinforced**  
nylon handle

**Air operated plunger retraction**  
rapid reset/reload

Model shown: TS483 LXM 400 mL

### FEATURES

- Air operated plunger retraction
- One hand pressure adjustment
- Anti-drip function
- Long life technology
- Customization possible

### BENEFITS

- Quick cartridge exchange
- Simple dispensing speed adjustment
- Clean application
- Precise working
- Customer labelling

### APPLICATIONS



Bonding



Sealing



Repair



Shimming

### PRODUCT BY RANGE



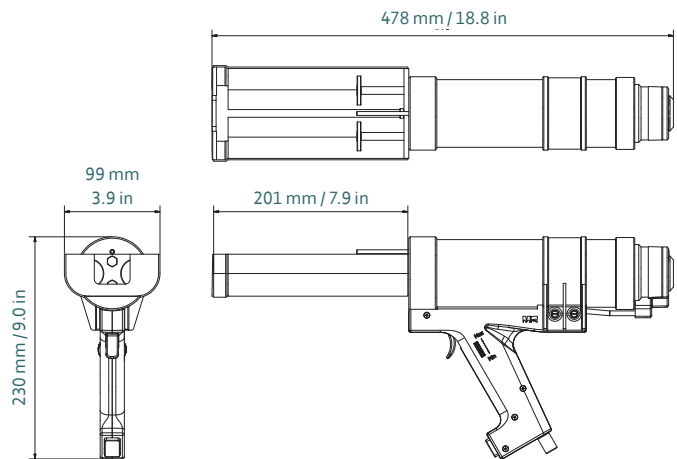


# THE TS483 LXM 2-COMPONENT PNEUMATIC DISPENSERS QUICK CARTRIDGE EXCHANGE OFFERS EFFICIENT WORKING ACROSS ALL YOUR APPLICATIONS. THE ANTI-DRIP FUNCTION MAKES FOR EFFICIENT DISPENSING.

## SPECIFICATIONS

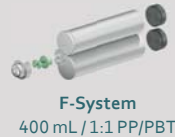
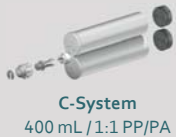
- Lightweight: 2.6 kg / 5.6 lbs
- Cartridge Holder Length: 201 mm / 7.9 in
- Maximum Thrust: 2.7 kN
- Maximum Pneumatic Pressure: 8 bar / 116 psi
- Air Consumption: 40 litres/min
- Handle Material: Reinforced Nylon
- Cartridge Holder Material: Aluminum
- Frame Material: Steel
- Cartridge Capacity: 400 mL (14.1 oz)
- Cartridge Ratio: 1:1
- Viscosity: Low/Medium
- Standard Color: Black/Red
- Customized versions on demand

## DIMENSIONS

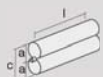


Part number	Article number	Packaging
DP2K 400-01-270-001	151788	1 per Box

## MATCHING MIXPAC™ SIDE-BY-SIDE CARTRIDGES



## COMPATIBLE SIDE-BY-SIDE CARTRIDGES



**Plastic Cartridge**  
400 mL / 1:1 PP/PBT

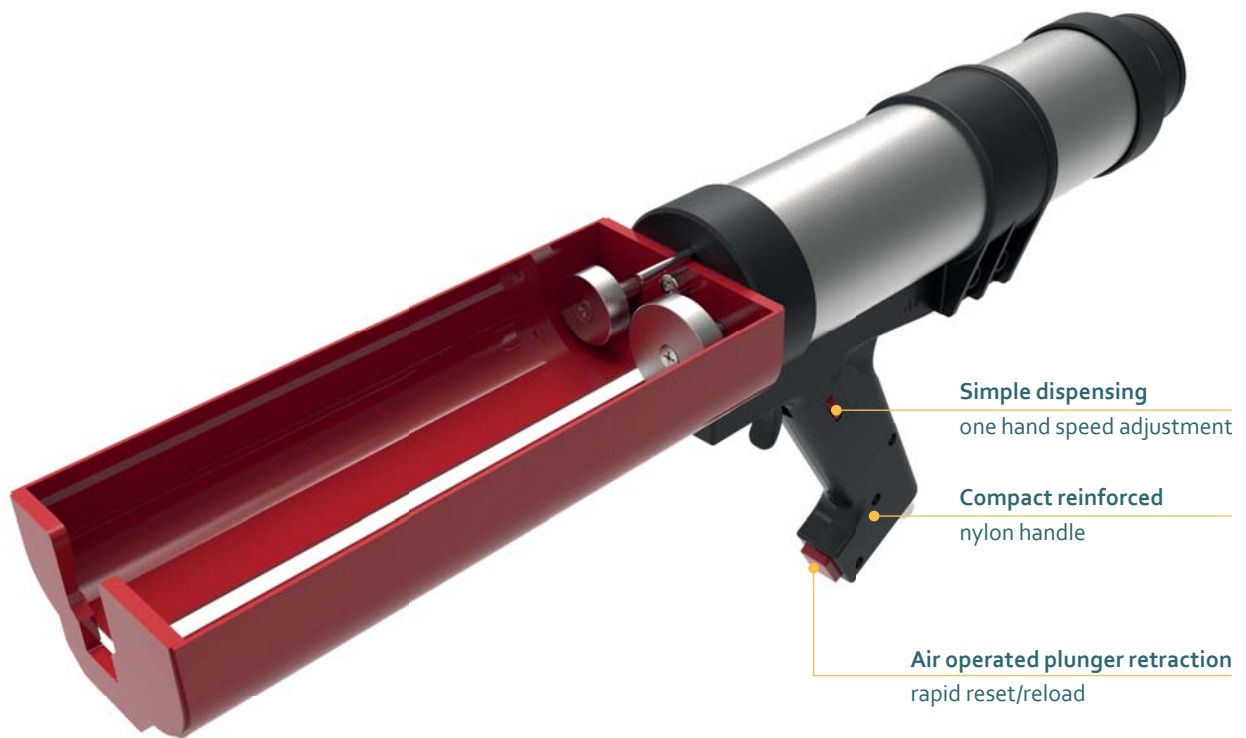
1:1	mm	inch
l	185.0	7.28
a	Ø 45.0	Ø 1.77
c	93.0	3.66

## CONVERSION KITS

## MATCHING ACCESSORIES

# TS459 LXS

## 450 ML CARTRIDGE DISPENSER



Model shown: TS459 LXS 450 mL

### FEATURES

- Air operated plunger retraction
- One hand pressure adjustment
- Anti-drip function
- Long life technology
- Customization possible

### BENEFITS

- Quick cartridge exchange
- Simple dispensing speed adjustment
- Clean application
- Precise working
- Customer labelling

### APPLICATIONS



Chemical  
Anchoring

### PRODUCT BY RANGE

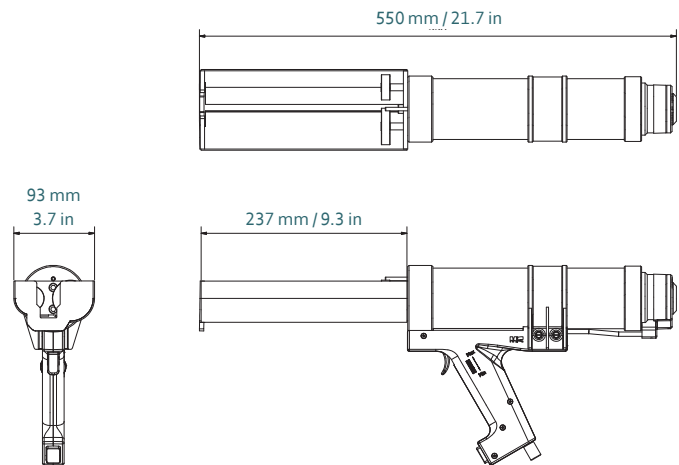


# THE TS459 LXS 2-COMPONENT PNEUMATIC DISPENSERS QUICK CARTRIDGE EXCHANGE OFFERS EFFICIENT WORKING ACROSS ALL YOUR APPLICATIONS.

## SPECIFICATIONS

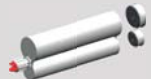
- Lightweight: 2.69 kg / 5.9 lbs
- Cartridge Holder Length: 237 mm / 9.3 in
- Maximum Thrust: 2.7 kN
- Maximum Pneumatic Pressure: 8 bar / 116 psi
- Air Consumption: 40 litres/min
- Handle Material: Reinforced Nylon
- Cartridge Holder Material: Aluminum
- Frame Material: Steel
- Cartridge Capacity: 450 mL (15.8 oz)
- Cartridge Ratio: 2:1
- Viscosity: Medium/High
- Standard Color: Black/Red
- Customized versions on demand

## DIMENSIONS



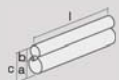
Part number	Article number	Packaging
DP2K 450-02-270-001	152515	1 per Box

## MATCHING MIXPAC™ SIDE-BY-SIDE CARTRIDGES



**J System**  
450 mL / 2:1 PP/PA

## COMPATIBLE CARTRIDGES



**Plastic Cartridge**  
450 mL / 2:1 PP

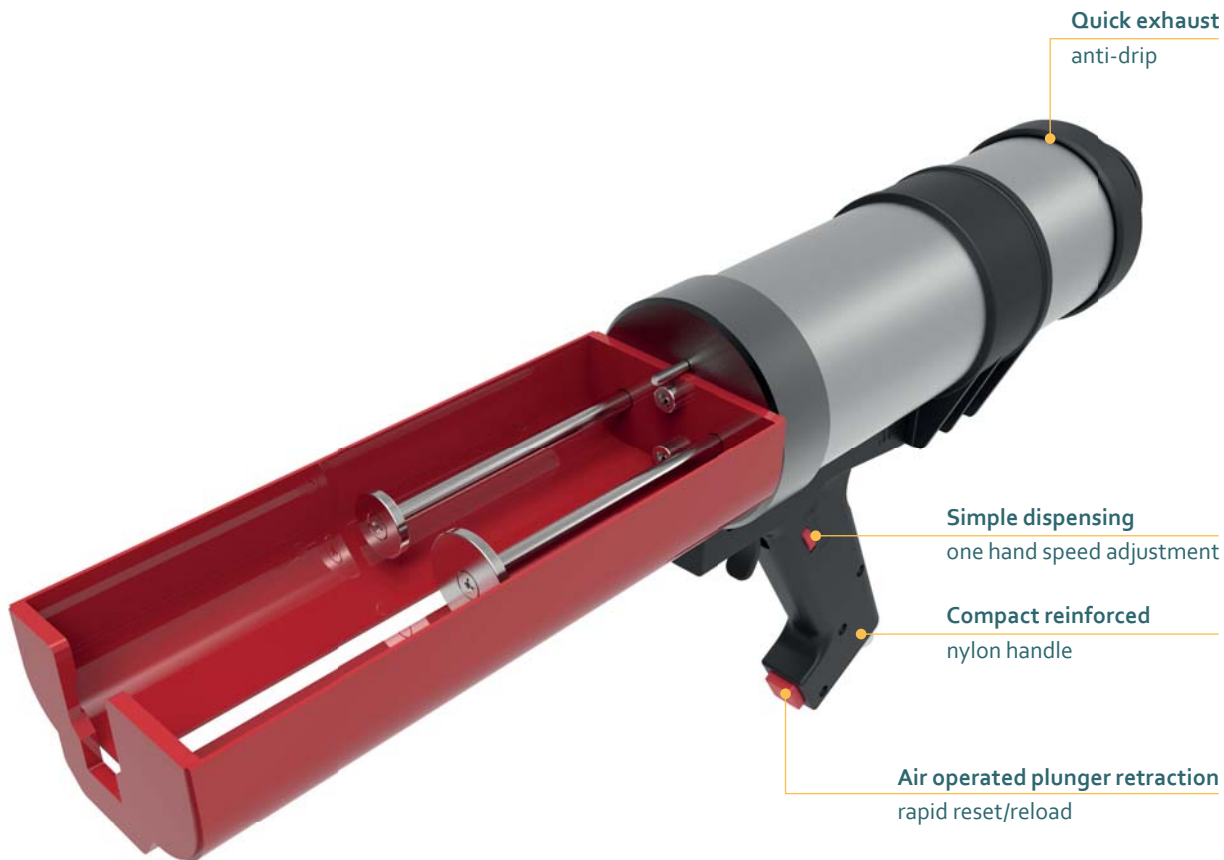
2:1	mm	inch
l	215.0	8.46
a	Ø 46.5	Ø 1.83
b	Ø 33.2	Ø 1.31
c	86.0	3.39

## CONVERSION KITS

## MATCHING ACCESSORIES

# TS459 XM

## 450 ML CARTRIDGE DISPENSER



Model shown: TS459 XM 450 mL

### FEATURES

- Air operated plunger retraction
- One hand pressure adjustment
- Anti-drip function
- Long life technology
- Customization possible

### BENEFITS

- Quick cartridge exchange
- Simple dispensing speed adjustment
- Clean application
- Precise working
- Customer labelling

### APPLICATIONS



### PRODUCT BY RANGE

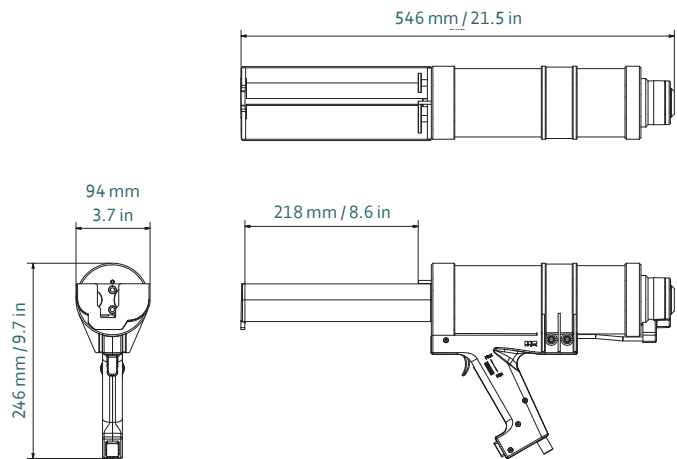


# THE TS459 XM 2-COMPONENT PNEUMATIC DISPENSERS ONE-HANDED PRESSURE ADJUSTMENT ALLOWS FOR SIMPLE EFFECTIVE OPERATION WHILE THE ANTI-DRIP FUNCTION MAKES FOR EASY AND CLEAN DISPENSING.

## SPECIFICATIONS

- Lightweight: 2.69 kg / 5.9 lbs
- Cartridge Holder Length: 218 mm / 8.6 in
- Maximum Thrust: 4.5 kN
- Maximum Pneumatic Pressure: 8 bar / 116 psi
- Air Consumption: 40 litres/min
- Handle Material: Reinforced Nylon
- Cartridge Holder Material: Aluminum
- Frame Material: Steel
- Cartridge Capacity: 450 mL (15.8 oz)
- Cartridge Ratio: 2:1
- Viscosity: Medium
- Standard Color: Black
- Customized versions on demand

## DIMENSIONS



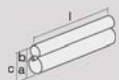
Part number	Article number	Packaging
DP2K 450-02-400-101	152516	1 per Box

## MATCHING MIXPAC™ SIDE-BY-SIDE CARTRIDGES



**J System**  
450 mL / 2:1 PP/PA

## COMPATIBLE CARTRIDGES



**Plastic Cartridge**  
450 mL / 2:1 PP

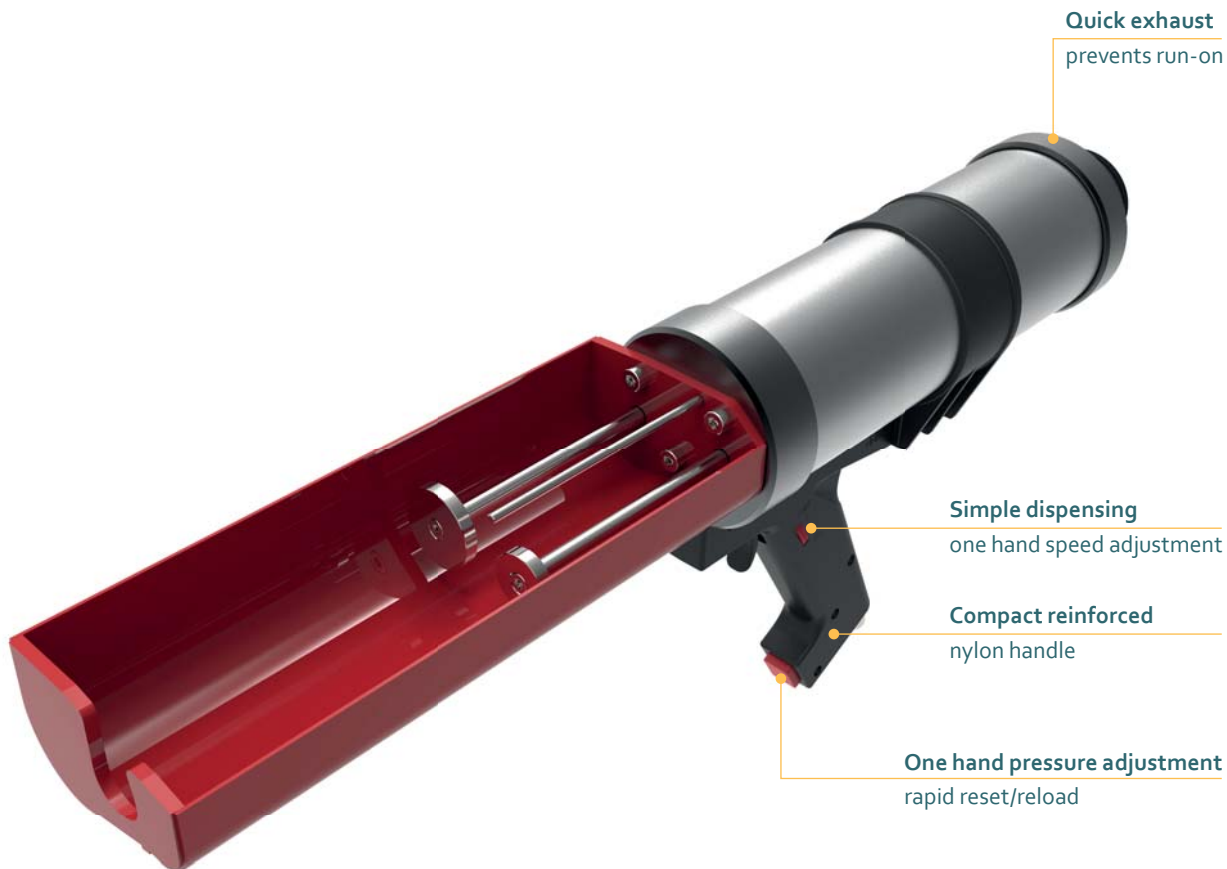
2:1	mm	inch
l	215.0	8.46
a	Ø 46.5	Ø 1.83
b	Ø 33.2	Ø 1.31
c	86.0	3.39

## CONVERSION KITS

## MATCHING ACCESSORIES

# TS444 KX

## 365/385/585 ML CARTRIDGE DISPENSER



Model shown: TS444 KX 585 mL

### FEATURES

- Quick exhaust
- Speed adjustment during operation
- Rapid reset/reload
- Customization possible

### BENEFITS

- Prevents anti-drip
- Simple dispensing
- One hand pressure adjustment
- Customer labelling

### APPLICATIONS



### PRODUCT BY RANGE



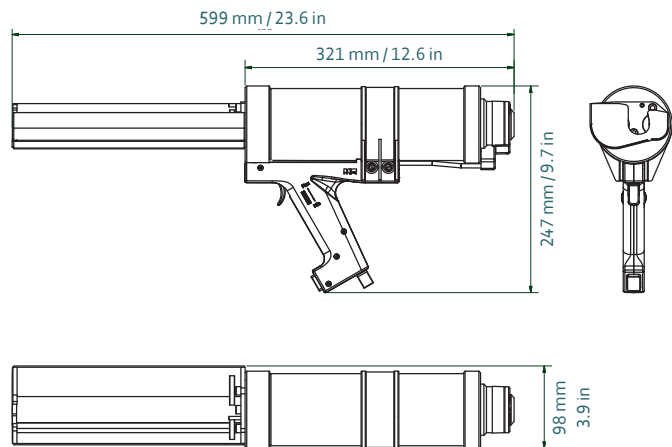
TS444 KX

# THE TS444 KX 2-COMPONENT PNEUMATIC DISPENSERS COMPACT REINFORCED NYLON HANDLE ALLOWS FOR SIMPLE EFFECTIVE OPERATION, WHILE THE QUICK EXHAUST VALVE PREVENTS MATERIAL ANTI-DRIP FOR EFFORTLESS DISPENSING.

## SPECIFICATIONS

- Lightweight: 3.05 kg / 6.80 lbs
- Cartridge Holder Length: 278 mm / 11.0 in
- Maximum Thrust: 4 kN
- Maximum Pneumatic Pressure: 8 bar / 116 psi
- Air Consumption: 40 litres/min
- Handle Material: Reinforced Nylon
- Barrel Material: Aluminum
- Cartridge Holder Material: Steel
- Cartridge Capacity: 365 mL (12.8 oz), 385 mL (13.5 oz), 585 mL (20.6 oz)
- Cartridge Ratio: 3:1
- Viscosity: Medium
- Standard Color: Black/Red
- Customized versions on demand

## DIMENSIONS



Part number	Article number	Packaging
DP2K 585-03-400-101	152487	1 per Box

## MATCHING MIXPAC™ SIDE-BY-SIDE CARTRIDGES

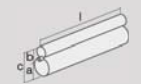


**J-System**  
365 mL / 3:1 PP

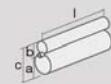


**ecopaCC Cartridge**  
600 mL / 3:1

## COMPATIBLE SIDE-BY-SIDE CARTRIDGES



**Plastic Cartridge**  
585 mL / 3:1



**Plastic Cartridge**  
385 mL / 3:1 PP

3:1	mm	inch
l	244.0	9.61
a	Ø 54.4	Ø 2.14
b	Ø 32.6	Ø 1.28
c	90.0	3.54

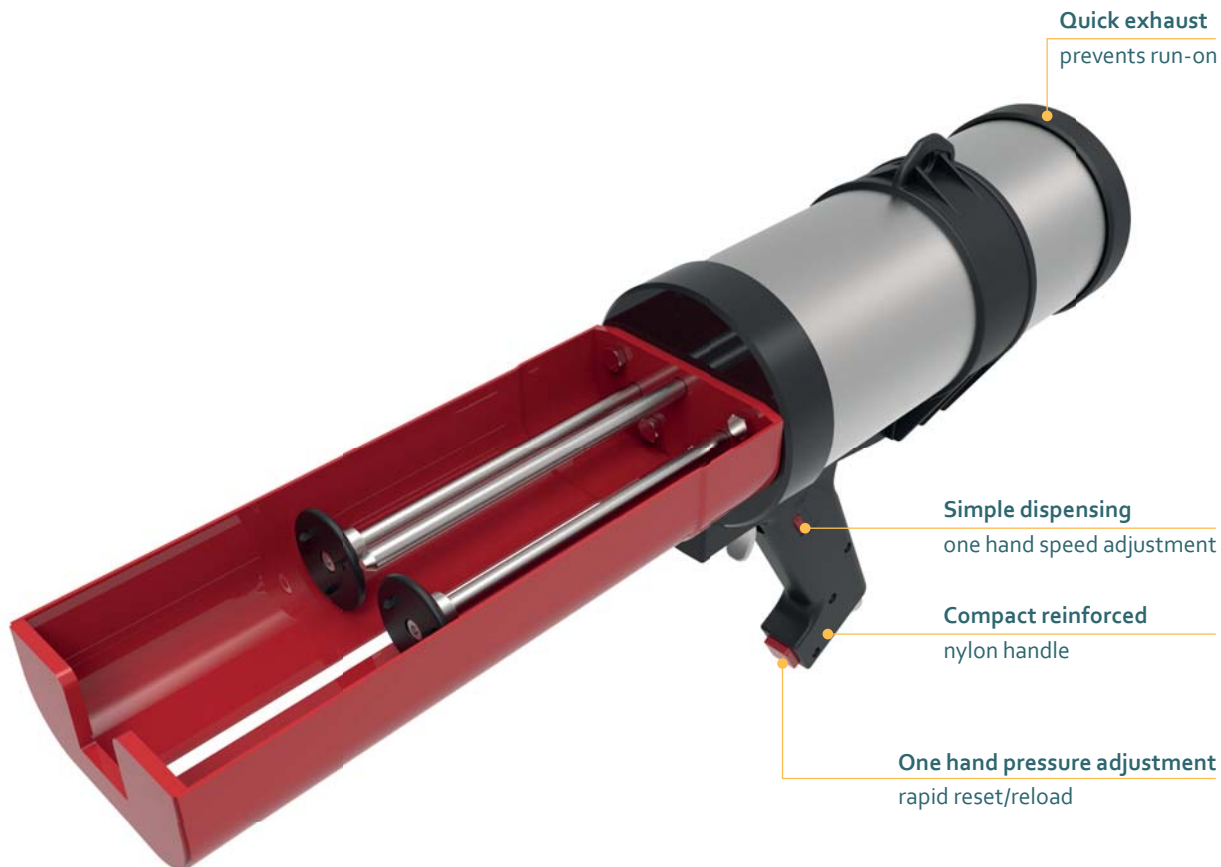
3:1	mm	inch
l	171.0	6.73
a	Ø 54.4	Ø 2.14
b	Ø 32.6	Ø 1.28
c	90.0	3.54

## CONVERSION KITS

## MATCHING ACCESSORIES

# TS447 X-625

## 580 ML CARTRIDGE DISPENSER



Model shown: TS447 X-625 580 mL

### FEATURES

- Quick exhaust
- Speed adjustment during operation
- Rapid reset/reload
- Customization possible

### BENEFITS

- Prevents anti-drip
- Simple dispensing
- One hand pressure adjustment
- Customer labelling

### APPLICATIONS



### PRODUCT BY RANGE



TS447 X-625

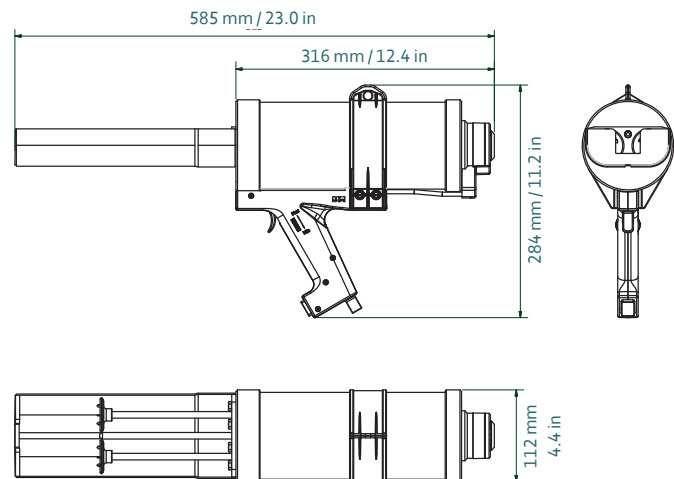


# THE TS447 X-625 2-COMPONENT PNEUMATIC DISPENSER IS DESIGNED FOR USE WITH HIGH VISCOSITY SEALANTS AND ADHESIVES. A ONE-HANDED PRESSURE ADJUSTMENT ALLOWS FOR RAPID RESET AND RELOAD.

## SPECIFICATIONS

- Lightweight: 3.53 kg / 7.87 lbs
- Cartridge Holder Length: 269 mm / 10.6 in
- Maximum Thrust: 6.25 kN
- Maximum Pneumatic Pressure: 8 bar / 116 psi
- Air Consumption: 40 litres/min
- Handle Material: Reinforced Nylon
- Cartridge Holder Material: Aluminum
- Frame Material: Steel
- Cartridge Capacity: 580 mL (20.4 oz)
- Cartridge Ratio: 1:1
- Viscosity: High
- Standard Color: Black/Red
- Customized versions on demand

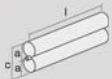
## DIMENSIONS



Part number	Article number	Packaging
DP2K 585-03-400-101	152387	1 per Box

## MATCHING MIXPAC™ CARTRIDGES

## COMPATIBLE SIDE-BY-SIDE CARTRIDGES



Aluminum Cartridge  
580 mL / 1:1

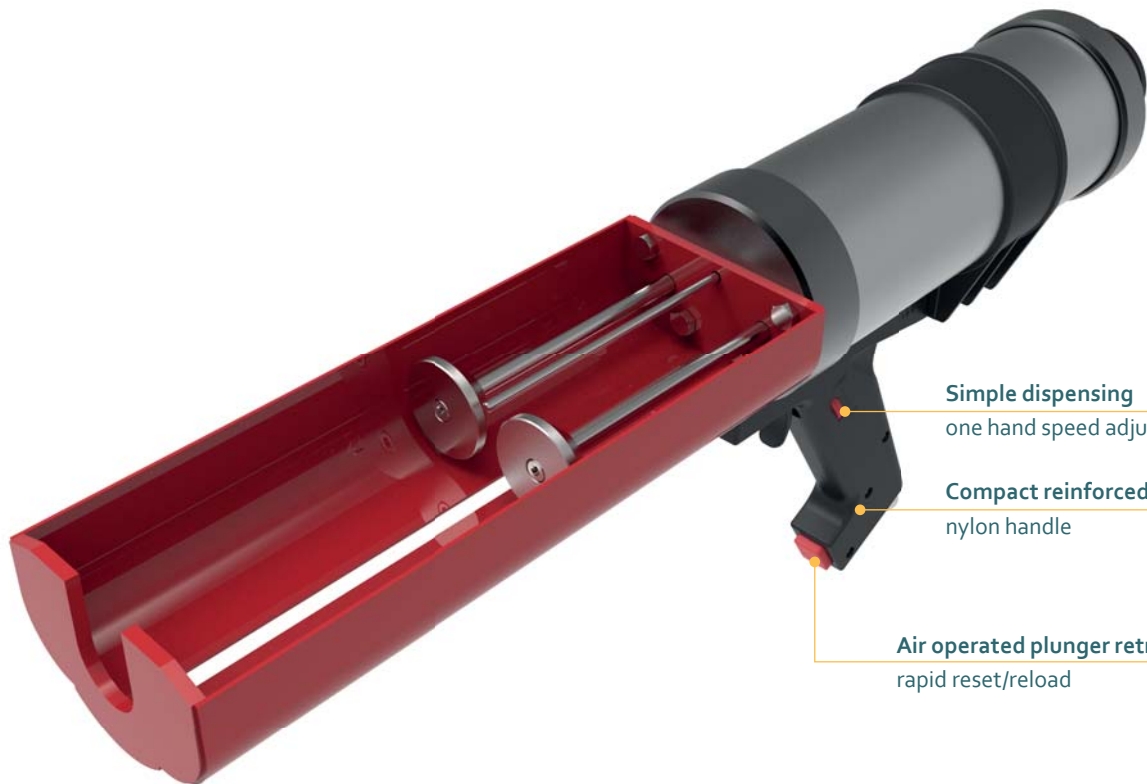
1:1	mm	inch
l	238.0	9.37
a	Ø 47.0	Ø 1.8
c	98.0	3.8

## CONVERSION KITS

## MATCHING ACCESSORIES

# TS488 X

## 600 ML CARTRIDGE DISPENSER



Model shown: TS488 X 600 mL

### FEATURES

- Air operated plunger retraction
- One hand pressure adjustment
- Anti-drip function
- Long life technology
- Customization possible

### BENEFITS

- Quick cartridge exchange
- Simple dispensing speed adjustment
- Clean application
- Precise working
- Customer labelling

### APPLICATIONS



### PRODUCT BY RANGE

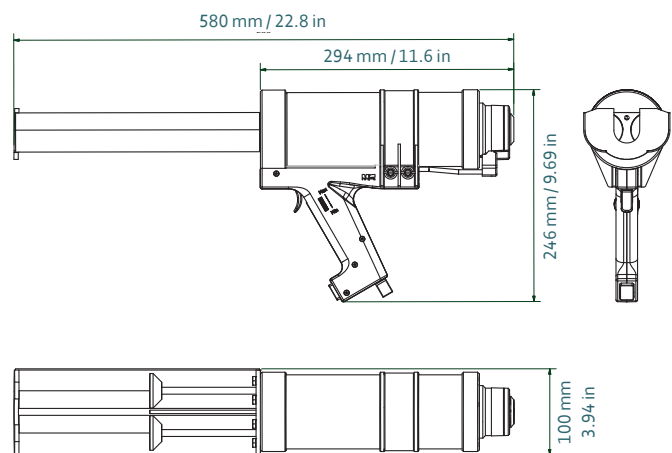


# THE TS488 X 2-COMPONENT PNEUMATIC DISPENSERS ONE-HANDED PRESSURE ADJUSTMENT ALLOWS FOR SIMPLE EFFECTIVE OPERATION. IN ADDITION, THE AIR OPERATED PLUNGER RETRACTION OFFERS RAPID RESET AND RELOAD.

## SPECIFICATIONS

- Lightweight: 2.5 kg / 5.5 lbs
- Cartridge Holder Length: 286 mm / 11.2 in
- Maximum Thrust: 4 kN
- Maximum Pneumatic Pressure: 8 bar / 116 psi
- Air Consumption: 40 litres/min
- Handle Material: Reinforced Nylon
- Barrel Material: Aluminum
- Cartridge Holder Material: Steel
- Cartridge Capacity: 600 mL (21.1 oz)
- Cartridge Ratio: 1:1
- Viscosity: Medium
- Standard Color: Black/Red
- Customized versions on demand

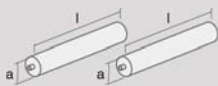
## DIMENSIONS



Part number	Article number	Packaging
DP2K 600-01-400-400	152899	1 per Box

## MATCHING MIXPAC™ CARTRIDGES

## COMPATIBLE SIDE-BY-SIDE CARTRIDGES



Aluminum Cartridge  
620 mL (2 x 310 mL) / 1:1 AL

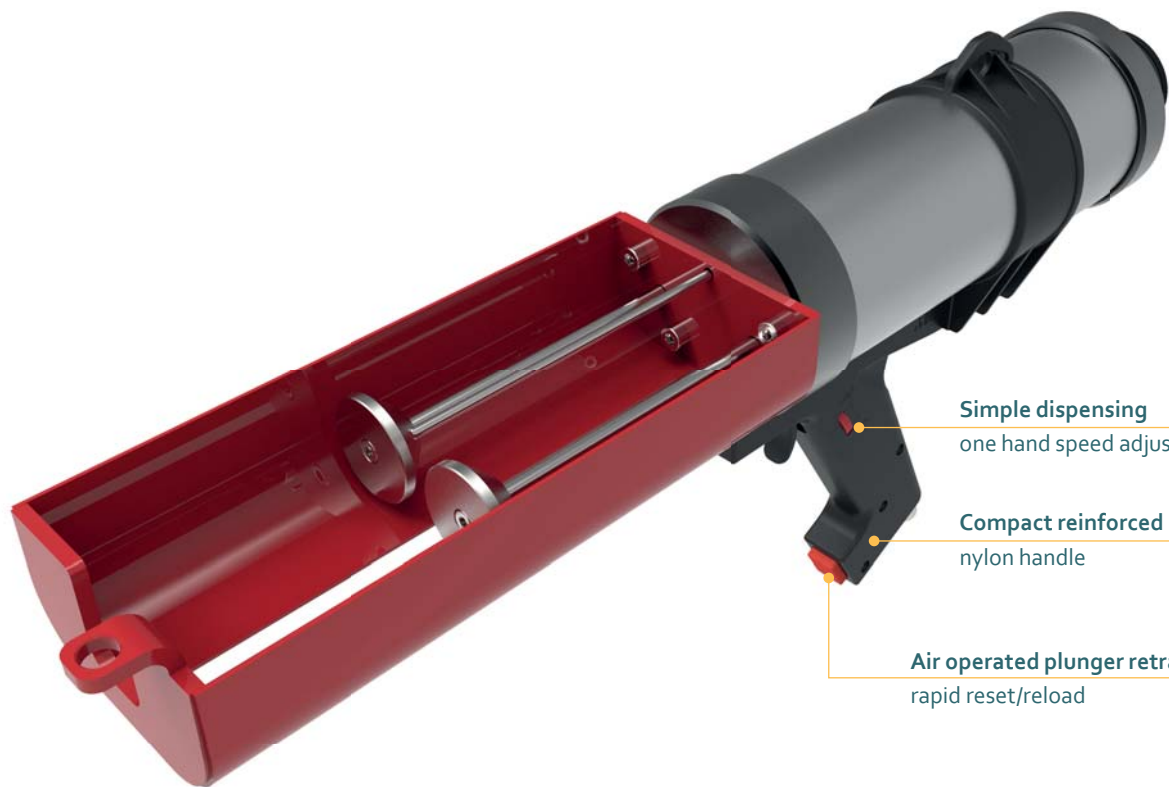
1:1	mm	inch
l	217.0	8.54
a	Ø 48.0	Ø 1.89
c	95.5	3.76

## CONVERSION KITS

## MATCHING ACCESSORIES

# TS488 XM

## 600 ML CARTRIDGE DISPENSER



**Simple dispensing**  
one hand speed adjustment

**Compact reinforced**  
nylon handle

**Air operated plunger retraction**  
rapid reset/reload

Model shown: TS488 XM 600 mL

### FEATURES

- Air operated plunger retraction
- One hand pressure adjustment
- Anti-drip function
- Long life technology
- Customization possible

### BENEFITS

- Quick cartridge exchange
- Simple dispensing speed adjustment
- Clean application
- Precise working
- Customer labelling

### APPLICATIONS



### PRODUCT BY RANGE

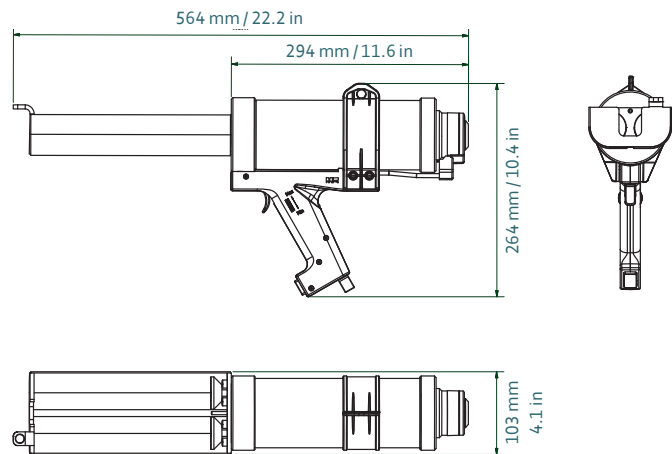


# THE TS488 XM 2-COMPONENT PNEUMATIC DISPENSER IS DESIGNED FOR USE WITH MEDIUM VISCOSITY SEALANTS AND ADHESIVES WHILE THE ANTI-DRIP FUNCTION MAKES FOR EASY AND CLEAN DISPENSING.

## SPECIFICATIONS

- Lightweight: 2.5 kg / 5.5 lbs
- Cartridge Holder Length: 270 mm / 10.6 in
- Maximum Thrust: 4 kN
- Maximum Pneumatic Pressure: 8 bar / 116 psi
- Air Consumption: 40 litres/min
- Handle Material: Reinforced Nylon
- Cartridge Holder Material: Aluminum
- Frame Material: Steel
- Cartridge Capacity: 600 mL (21.1 oz)
- Cartridge Ratio: 1:1
- Viscosity: Medium
- Standard Color: Black/Red
- Customized versions on demand

## DIMENSIONS



Part number	Article number	Packaging
DP2K 600-01-400-101	152352	1 per Box

## MATCHING MIXPAC™ SIDE-BY-SIDE CARTRIDGES

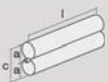


**J-System**  
600 mL / 1:1 PP



**ecopaCC**  
600 mL / 1:1 PP/PA

## COMPATIBLE CARTRIDGES



**Plastic Cartridge**  
600 mL / 1:1 PP

1:1	mm	inch
l	215.0	8.46
a	Ø 49.3	Ø 1.94
c	98.5	3.88

## CONVERSION KITS

## MATCHING ACCESSORIES

# TS493 X / TS493 XT

## 600 ML CARTRIDGE DISPENSER



Model shown: TS493 X(T) 600 mL

### FEATURES

- Air operated plunger retraction
- One hand pressure adjustment
- Anti-drip function
- Long life technology
- Customization possible

### BENEFITS

- Quick cartridge exchange
- Simple dispensing speed adjustment
- Clean application
- Precise working
- Customer labelling

### APPLICATIONS



### PRODUCT BY RANGE

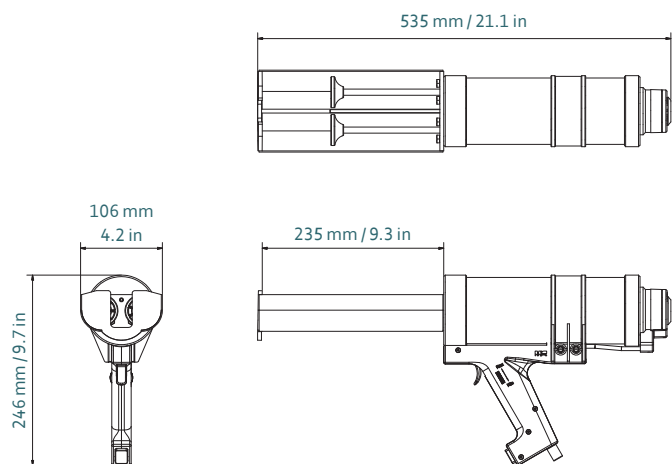


# THE TS493 X(T) 2-COMPONENT PNEUMATIC DISPENSER ANTI-DRIP FUNCTION MAKES FOR EASY AND CLEAN DISPENSING. IN ADDITION, THE AIR OPERATED PLUNGER RETRACTION OFFERS RAPID RESET AND RELOAD.

## SPECIFICATIONS

- Lightweight: 2.6 kg / 5.6 lbs
- Cartridge Holder Length: 235 mm / 9.3 in
- Maximum Thrust: 4 kN
- Maximum Pneumatic Pressure: 8 bar / 116 psi
- Air Consumption: 40 litres/min
- Handle Material: Reinforced Nylon
- Cartridge Holder Material: Aluminum
- Frame Material: Steel
- Cartridge Capacity: 600 mL (21.1 oz)
- Cartridge Ratio: 1:1
- Viscosity: Medium
- Standard Color: Black/Red
- Customized versions on demand

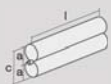
## DIMENSIONS



Part number	Article number	Packaging
DP2K 600-01-400-201	151790 TS493 X (620 mL)	1 per Box
DP2K 600-01-400-401	152883 TS493 XT (600 mL)	1 per Box

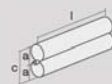
## MATCHING MIXPAC™ CARTRIDGES

## COMPATIBLE SIDE-BY-SIDE CARTRIDGES



**Plastic Cartridge**  
620 mL (2 x 310 mL) / 1:1 PP

1:1	mm	inch
l	217.0	8.54
a	Ø 48.0	Ø 1.89
c	95.5	3.76



**Plastic Cartridge**  
600 mL / 1:1 PP

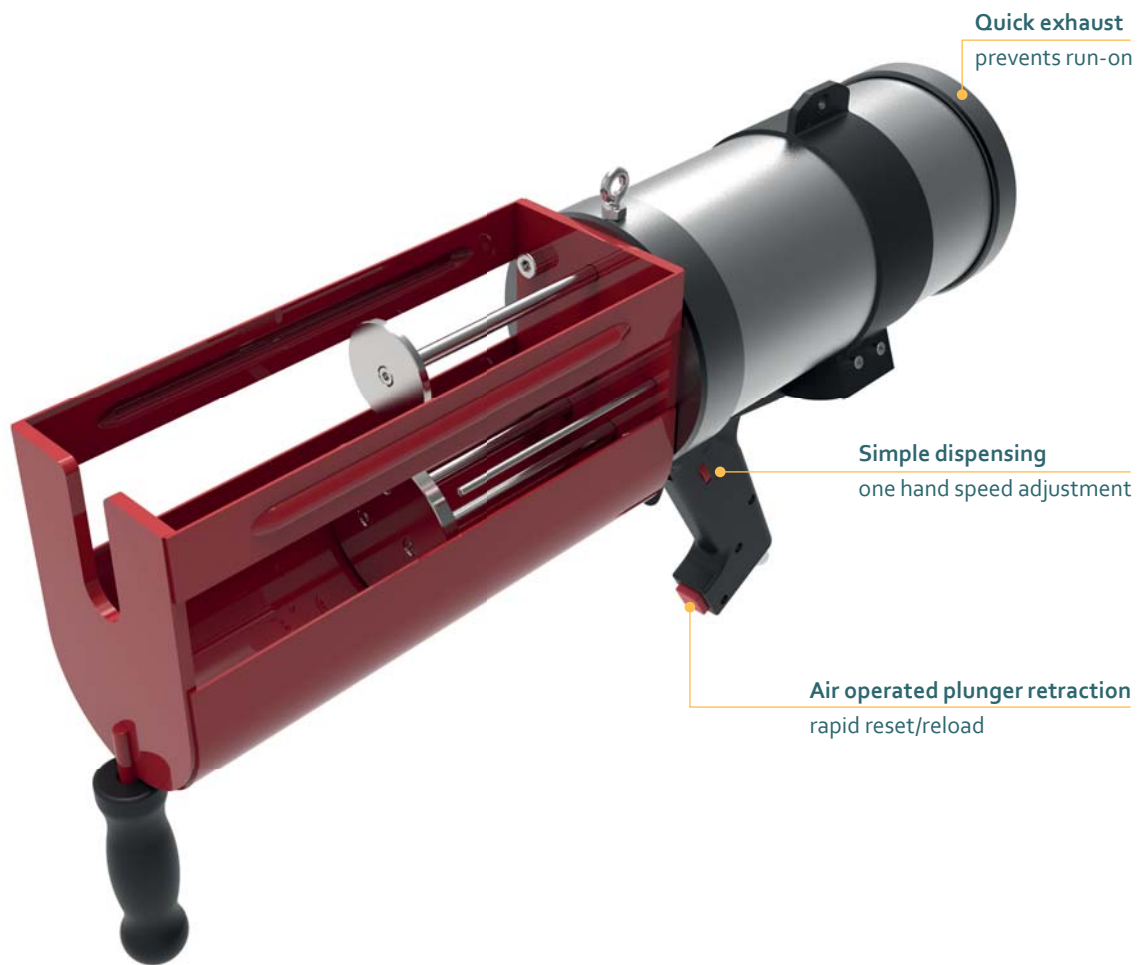
1:1	mm	inch
l	215.0	8.46
a	Ø 49.0	Ø 1.93
c	99.0	3.9

## CONVERSION KITS

## MATCHING ACCESSORIES

# TS471

## 1400 ML CARTRIDGE DISPENSER



Model shown: TS471 1400 mL

### FEATURES

- Quick exhaust
- Simple dispensing
- Air operated plunger retraction
- Customization possible

### BENEFITS

- Prevents anti-drip
- One-hand speed adjustment
- Quick cartridge exchange
- Customer labelling

### APPLICATIONS



### PRODUCT BY RANGE



TS471

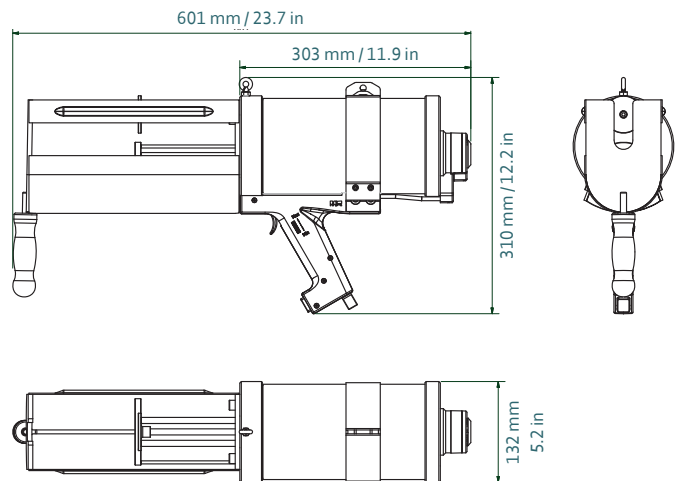


# THE TS471 2-COMPONENT PNEUMATIC DISPENSERS AIR OPERATED PLUNGER RETRACTION OFFERS RAPID RESET AND RELOAD WHILE ANTI-DRIP FUNCTION MAKES FOR EASY AND CLEAN DISPENSING.

## SPECIFICATIONS

- Lightweight: 3.95 kg / 8.8 lbs
- Cartridge Holder Length: 298 mm / 11.7 in
- Maximum Thrust: 8.3 kN
- Maximum Pneumatic Pressure: 8 bar / 116 psi
- Air Consumption: 40 litres/min
- Handle Material: Reinforced Nylon
- Cartridge Holder Material: Aluminum
- Frame Material: Steel
- Cartridge Capacity: 1400 mL (49.3 oz)
- Cartridge Ratio: 3:1
- Viscosity: Medium/High
- Standard Color: Black/Red
- Customized versions on demand

## DIMENSIONS



Part number	Article number	Packaging
DP2K 1400-03-830-001	153201	1 per Box

## MATCHING MIXPAC™ CARTRIDGES

## COMPATIBLE SIDE-BY-SIDE CARTRIDGES



Plastic Cartridge  
1400 mL / 3:1





3:1	mm	inch
l	235.0	9.25
a	Ø 96.4	Ø 3.8
b	Ø 60.0	Ø 2.36
c	157.5	6.2

## CONVERSION KITS

## MATCHING ACCESSORIES

# MK™ DISPENSER ACCESSORIES

MAKE THE MOST OF YOUR DISPENSER WITH THE FOLLOWING RANGE OF MK ACCESSORIES.

Name/Description	Part Number	Compatible with
<b>Pistons</b>		
 <b>Piston for Cartridge</b>	152549	TS493 X(T)
<b>Battery</b>		
 <b>Bosch Professional Charger</b> Universal battery charger for 18 V batteries.	163517 (EU) 165577 (UK) 165572 (US)	MK 2K B900 series
 <b>Bosch Professional Battery</b> Lithium-ion battery, 18 V 2.0 Ah.	175925 163515 (US)	MK 2K B900 series
<b>General accessories</b>		
 <b>Shoulder strap</b>	129031	

# MK™ DISPENSER

## WARRANTY STATEMENT

medmix offers a (2) year manufacturing warranty effective at the date of invoice.  
medmix will repair or replace any product which examination proves to be a manufacture defect.

### LIMITATIONS:

**This warranty does not cover:**

1. Repairs made or attempted by other than medmix UK Ltd. or Authorized Service Centre
2. Normal wear and tear
3. Misuse
4. Improper maintenance
5. Continued use after partial failure
6. Tools that have been modified or used with improper accessories

Should a problem develop while still under warranty, return the complete product to medmix UK Ltd. freight prepaid and insured. If inspection shows the problem has been caused by a defect in manufacture, all repairs, or a replacement will be made, at no charge and the product will be returned, transportation prepaid. No other warranty, written or verbal, is authorized.

**The repair and replacement remedies described herein are exclusive. In no event shall medmix UK Ltd. be liable for any incidental, special, or consequential damages, including loss of profits, loss of use or loss of production.**

**This warranty is in lieu of all other warranties, expressed or implied including without limitation the implied warranties of merchantability and fitness for a particular purpose, which are expressly disclaimed.**

# DELIVERING INNOVATION. INSPIRING CONFIDENCE.

## EUROPE

### medmix Switzerland AG

Ruetistrasse 7  
9469 Haag, Switzerland  
Phone +41 81 414 70 00  
sales.industry@medmix.com  
www.medmix.swiss

## USA, SOUTH AMERICA, CANADA AND MEXICO

### medmix USA Inc.

8 Willow St.  
Salem, NH 03079, USA  
Phone +1 603 893 2727  
sales.industry@medmix.com  
www.medmix.swiss

## UK AND IRELAND

### medmix UK Ltd.

1 Tealgate, Charnham Park, Hungerford  
Berkshire, RG17 0YT, United Kingdom  
Phone: +44 (0)1488 647 800  
sales.industry@medmix.com  
www.coxdispensers.com

## ASIA PACIFIC

### medmix China Ltd.

68 Bei Dou Lu, Minhang Shanghai  
200245, China  
Phone: +86 21 6430 68 68  
sales.industry@medmix.com  
www.medmix.swiss



Legal Notice: This brochure is a general presentation. The information contained in this publication is believed to be accurate and reliable but is not to be construed as implying any warranty or guarantee of performance. We waive any liability and indemnity for effects resulting from its application. Please, contact us for a description of the warranties and guarantees offered with our products. Directions for use and safety will be given separately. All information herein is subject to change without notice.

© 2022 medmix Switzerland AG All rights reserved.

medmix is a trademark belonging to medmix AG, and MK is a trademark belonging to medmix Switzerland AG.