

COX™ Dispensing Solutions



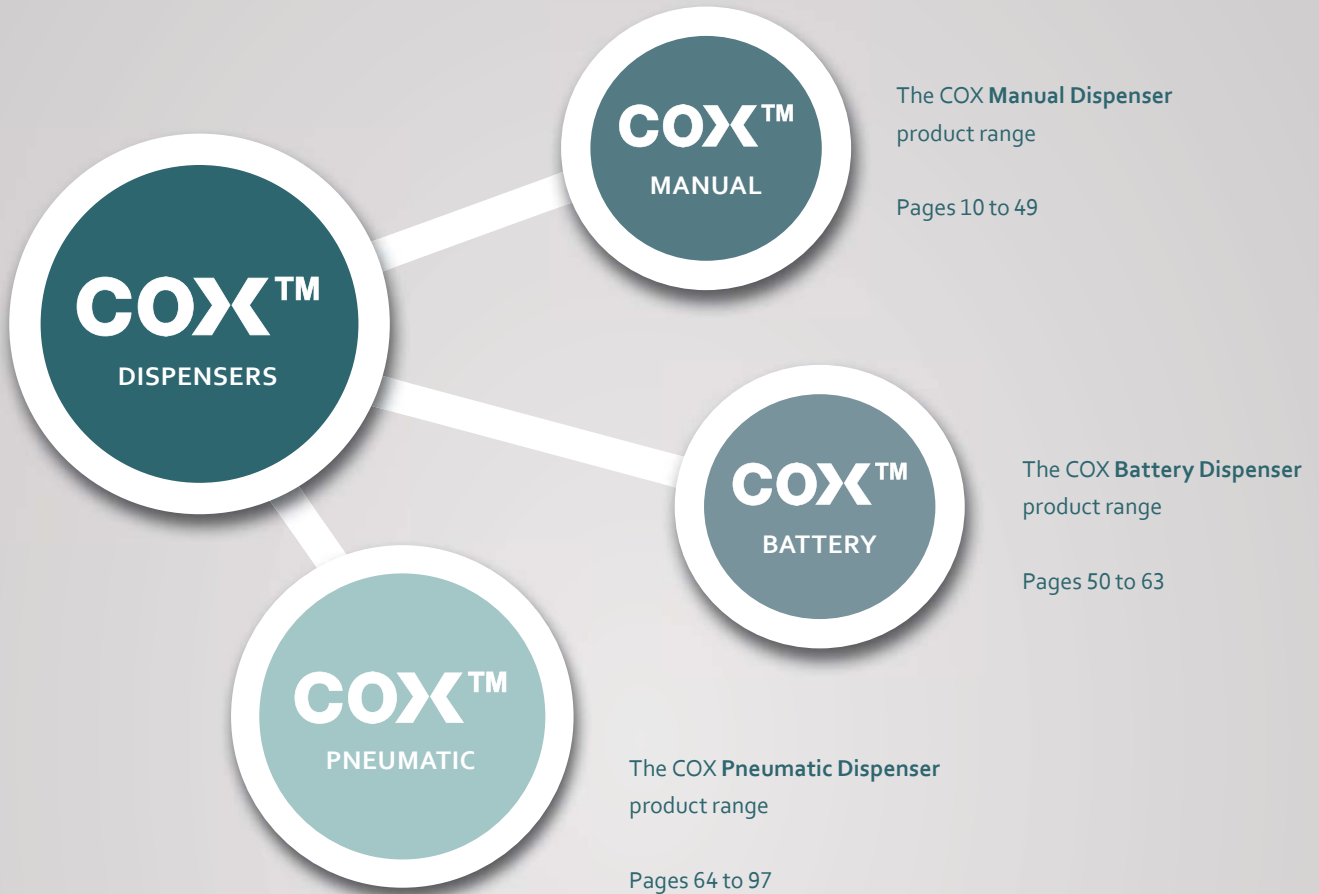
1-COMPONENT DISPENSERS



INDUSTRY



COX™ SYSTEM OVERVIEW



All of our COX™ dispensers may be recognized by their well-known unique and pleasing visual appearances.



1-COMPONENT DISPENSERS

PRODUCT RANGES

PROFESSIONAL DISPENSING FOR ALL APPLICATIONS.






Name/ Description	Cartridge/ Sachet/Bulk	Cartridge/Sachet/ Bulk/Capacity	Maximum Thrust	Mechanical Advantage Ratio	Material Viscosity	Pages	
Manual Dispensers							
	MPD 32	cartridge	30 mL (1.0 oz)	2.5 kN	16:1	low/medium	10–11
	MPD 100	cartridge	100 mL (3.4 oz) 120 mL (4.1 oz)	2.5 kN	16:1	low/medium	12–13
	EasiFlow™ HD Lite	cartridge	310 mL (10.5 oz)	1.2 kN	7:1	low	14–15
	EasiFlow™ HD	cartridge	310 mL (10.5 oz) 400 mL (13.5 oz)	1.2 kN	7:1	low	16–17
	MidiFlow™ Cartridge	cartridge	310 mL (10.5 oz) 400 mL (13.5 oz)	1.5 kN	10:1	low	18–19
	MidiFlow™ Combi	cartridge/ sachet	310 mL (10.5 oz) 400 mL (13.5 oz) 600 mL (20.3 oz)	1.5 kN	10:1	low	20–21
	PowerFlow™ Cartridge	cartridge	310 mL (10.5 oz) 400 mL (13.5 oz)	2.5 kN	12:1	low/medium	22–23
	PowerFlow™ Cartridge 1000S	cartridge	1000 mL (33.8 oz)	2.5 kN	12:1	low/medium	24–25
	PowerFlow™ Cartridge 1000L	cartridge	1000 mL (33.8 oz)	2.5 kN	12:1	low/medium	26–27
	PowerFlow™ Quart	cartridge	946 mL (32.0 oz)	2.5 kN	12:1	low/medium	28–29
	PowerFlow™ Combi	cartridge/ sachet	310 mL (10.5 oz) 400 mL (13.5 oz) 600 mL (20.3 oz)	2.5 kN	12:1	low/medium	30–31



	Name/ Description	Cartridge/ Sachet/Bulk	Cartridge/Sachet/ Bulk/Capacity	Maximum Thrust	Mechanical Advantage Ratio	Material Viscosity	Pages
	PowerFlow™ Bulk	bulk	2000 mL (67.6 oz) 4000 mL (135.3 oz)	2.5 kN	12:1	low/medium	32–33
	PowerFlow™ HP Cartridge	cartridge	310 mL (10.5 oz) 400 mL (13.5 oz)	3.5 kN	18:1	low/high	34–35
	PowerFlow™ HP Combi	cartridge/ sachet	310 mL (10.5 oz) 400 mL (13.5 oz) 600 mL (20.3 oz)	3.5 kN	18:1	low/high	36–37
	PowerFlow™ HP Quart Cartridge	cartridge	946 mL (32.0 oz)	3.5 kN	18:1	low/high	38–39
	UltraFlow™ Cartridge	cartridge	310 mL (10.5 oz)	4.5 kN	25:1	medium/high	40–41
	UltraFlow™ Combi	cartridge/ sachet	310 mL (10.5 oz) 400 mL (13.5 oz) 600 mL (20.3 oz)	4.5 kN	25:1	medium/high	42–43
	UltraFlow™ Bulk	bulk	600 mL (20.3 oz) 1000 mL (33.8 oz)	4.5 kN	25:1	medium/high	44–45
	Ultrapoint™ Bulk	bulk	800 mL (35.2 oz)	2.5 kN	12:1	low/medium	46–47
	Ultrapoint™ HP Bulk	bulk	800 mL (35.2 oz)	3.5 kN	18:1	medium/high	48–49

1-COMPONENT DISPENSERS

PRODUCT RANGES

SMART DISPENSING FOR ALL APPLICATIONS.

Name/ Description	Cartridge/ Sachet/Bulk	Cartridge/Sachet/ Bulk/Capacity	Maximum Thrust	Mechanical Advantage Ratio	Material Viscosity	Pages	
Battery Dispensers				Voltage			
	EasiPower™ Plus Cartridge	cartridge	310 mL (10.5 oz) 400 mL (13.5 oz)	2.5 kN	10.8 V	low/medium	50–51
	EasiPower™ Plus Combi	cartridge/ sachet	310 mL (10.5 oz) 400 mL (13.5 oz) 600 mL (20.3 oz)	2.5 kN	10.8 V	low/medium	52–53
	EasiPower™ Plus Quart	cartridge/ sachet	946 mL (29 oz)	2.5 kN	10.8 V	low/medium	54–55
	ElectraFlow™ Plus Cartridge	cartridge	310 mL (10.5 oz)	3.5 kN	18 V	medium/high	56–57
	ElectraFlow™ Plus Combi	cartridge/ sachet	310 mL (10.5 oz) 400 mL (13.5 oz) 600 mL (20.3 oz)	3.5 kN	18 V	medium/high	58–59







	Name/ Description	Cartridge/ Sachet/Bulk	Cartridge/Sachet/ Bulk/Capacity	Maximum Thrust	Mechanical Advantage Ratio	Material Viscosity	Pages
	ElectraFlow™ Plus Quart	cartridge	946 mL (32.0 oz)	3.5 kN	18 V	medium/high	60–61
	ElectraFlow™ Plus FloorFix	sachet	1800 mL (60.9 oz)	3.5 kN	18 V	low/medium	62–63

1-COMPONENT DISPENSERS

PRODUCT RANGES

PROFESSIONAL DISPENSING FOR ALL APPLICATIONS.

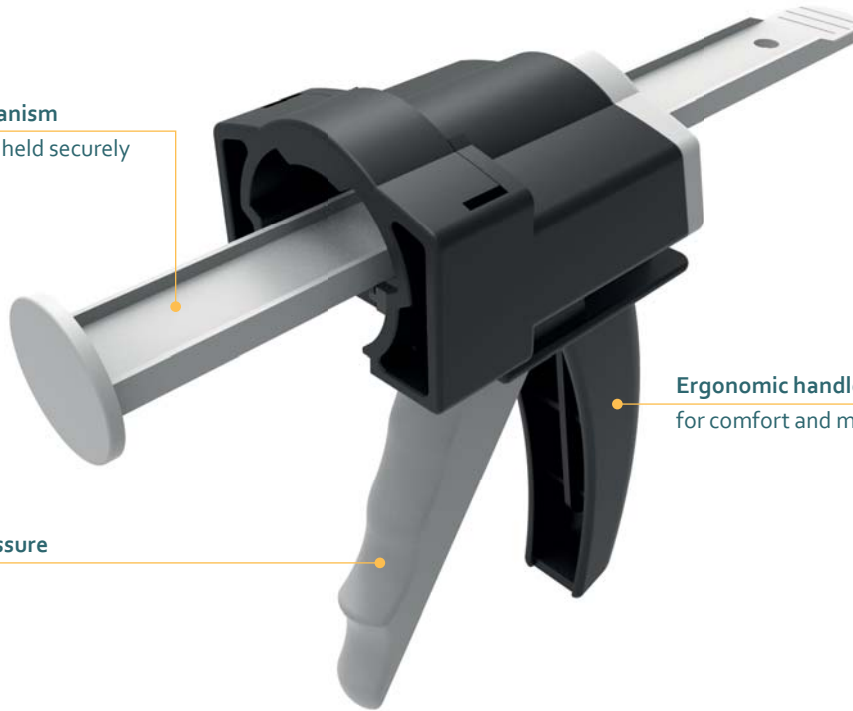
Name/ Description	Cartridge/ Sachet/Bulk	Cartridge/Sachet/ Bulk/Capacity	Maximum Thrust	Pneumatic Pressure	Material Viscosity	Pages	
Pneumatic Dispensers							
	AirFlow™ 1 Cartridge	cartridge	310 mL (10.5 oz)	1.3 kN	6.8 bar (others available)	low	64–65
	AirFlow™ 1 Sachet	sachet	310 mL (10.5 oz) 400 mL (13.5 oz) 600 mL (20.3 oz)	1.45 kN	6.8 bar (others available)	low	66–67
	AirFlow™ 1 Combi	cartridge/ sachet	310 mL (10.5 oz) 400 mL (13.5 oz) 600 mL (20.3 oz)	1.45 kN	6.8 bar (others available)	low	68–69
	AirFlow™ 1 Bulk	bulk	700 mL (20.3 oz)	1.45 kN	6.8 bar (others available)	low	70–71
	AirFlow™ 1 HP Combi	cartridge/ sachet	310 mL (10.5 oz) 400 mL (13.5 oz) 600 mL (20.3 oz)	2.2 kN	6.8 bar (others available)	high	72–73
	AirFlow™ 2 Cartridge	cartridge	310 mL (10.5 oz) 400 mL (13.5 oz)	1.2 kN	6.8 bar (others available)	low	74–75
	AirFlow™ 2 Sachet	sachet	310 mL (10.5 oz) 400 mL (13.5 oz) 600 mL (20.3 oz)	1.45 kN	6.8 bar (others available)	low	76–77
	AirFlow™ 2 Combi	cartridge/ sachet	310 mL (10.5 oz) 400 mL (13.5 oz) 600 mL (20.3 oz)	1.45 kN	6.8 bar (others available)	low	78–79
	AirFlow™ 3 Cartridge	cartridge	310 mL (10.5 oz) 400 mL (13.5 oz)	1.5 kN	6.8 bar (others available)	low/medium	80–81
	AirFlow™ 3 Quart Cartridge	cartridge	946 mL (32.0 oz)	1.5 kN	6.8 bar (others available)	low/medium	82–83
	AirFlow™ 3 Sachet	sachet	310 mL (10.5 oz) 400 mL (13.5 oz) 600 mL (20.3 oz)	1.5 kN	6.8 bar (others available)	low/medium	84–85

	Name/ Description	Cartridge/ Sachet/Bulk	Cartridge/Sachet/ Bulk/Capacity	Maximum Thrust	Pneumatic Pressure	Material Viscosity	Pages
	AirFlow™ 3 Compact Combi	cartridge/ sachet	310 mL (10.5 oz) 400 mL (13.5 oz) 600 mL (20.3 oz)	1.5 kN	6.8 bar (others available)	low/medium	86–87
	AirFlow™ 3 HP Combi	cartridge/ sachet	310 mL (10.5 oz) 400 mL (13.5 oz) 600 mL (20.3 oz)	2.5 kN	6.8 bar (others available)	medium/high	88–89
	JetFlow™ 3 Cartridge	cartridge	310 mL (10.5 oz)	1.45 kN	6.8 bar (others available)	low/medium	90–91
	JetFlow™ 3 Sachet	sachet	310 mL (10.5 oz) 400 mL (13.5 oz) 600 mL (20.3 oz)	1.45 kN	6.8 bar (others available)	low/medium	92–93
	JetFlow™ 3 Compact Combi	cartridge/ sachet	310 mL (10.5 oz) 400 mL (13.5 oz) 600 mL (20.3 oz)	1.45 kN	6.8 bar (others available)	low/medium	94–95
	Ultrapoint™ Air	bulk	800 mL (27 oz)	1.45 kN	6.8 bar (others available)	low/medium	96–97

MPD 32

30 ML CARTRIDGE DISPENSER

Simple loading mechanism
ensures cartridges are held securely



Ergonomic handle and trigger provide
for comfort and minimum fatigue

Minimum trigger pressure
for effortless use

Model shown: MPD 32 mL

FEATURES

- Engineered to provide high thrust
- Minimum trigger pressure
- Ergonomic handle and trigger
- Simple breach loading mechanism

BENEFITS

- Easy comfortable operation
- For effortless use
- For minimum fatigue
- Ensures cartridges are held securely

APPLICATIONS



Bonding



Crack Repair



Sealing

PRODUCT BY RANGE



MPD 32

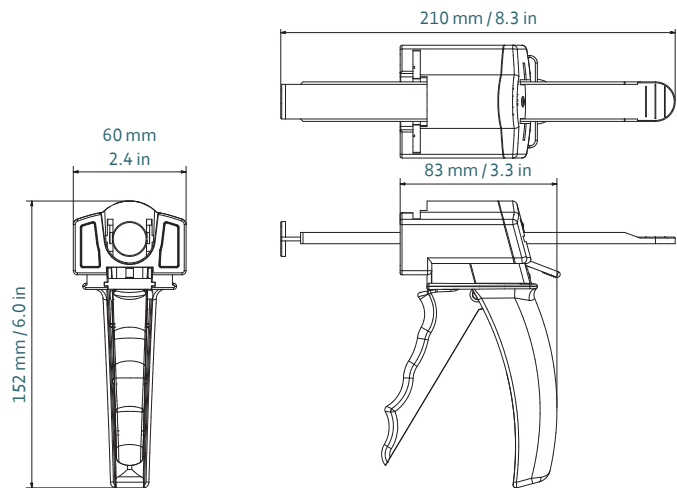
MPD 100

THE MPD 32 1-COMPONENT MANUAL DISPENSER IS DESIGNED TO PROVIDE HIGH THRUST WITH MINIMUM TRIGGER PRESSURE. THE SIMPLE LOADING MECHANISM ENSURES CARTRIDGES ARE HELD SECURELY.

SPECIFICATIONS

- Weight: 0.2 kg / 0.4 lbs
- Frame Length: 210 mm / 8.3 mm
- Maximum Thrust: 2.5 kN
- Handle Material: Glass Filled Nylon
- Frame Material: Glass Filled Nylon
- Cartridge Capacity: 30 mL (1.0 oz)
- Mechanical Advantage Ratio: 16:1
- Viscosity: Low/Medium
- Standard Color: Grey/Black
- Customized Versions: Yes

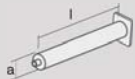
DIMENSIONS



Part number	Article number	Packaging
DM1C032-ca-r16-001	178299	50 per Box

MATCHING MIXPAC™ CARTRIDGES

COMPATIBLE CARTRIDGES



Plastic Cartridge
30 mL HDPE

	mm	inch
l	116.0	4.56
a	Ø 25.4	Ø 1.0

CONVERSION KITS

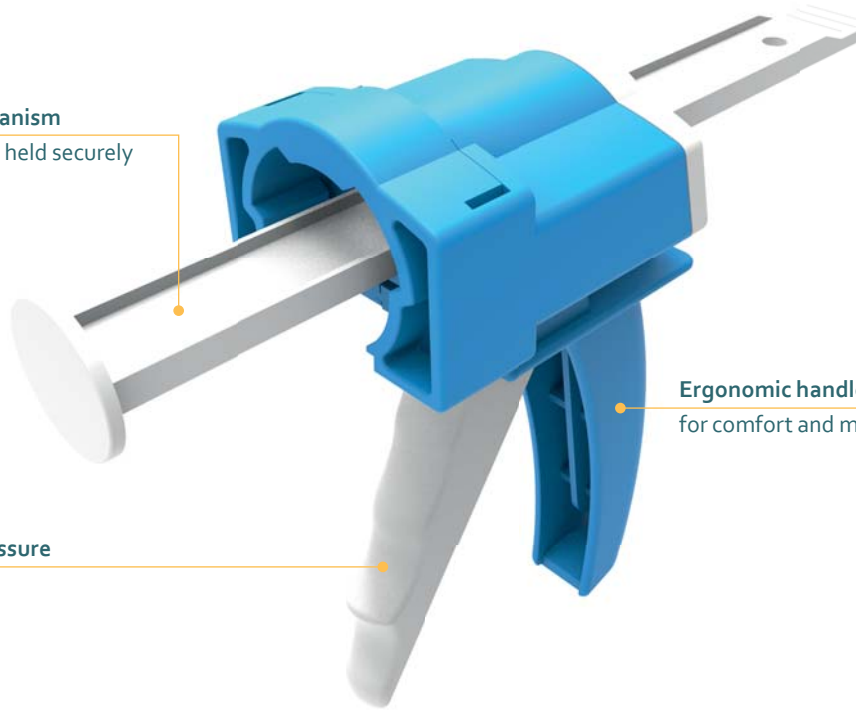
MATCHING ACCESSORIES

MPD 100

100–120 ML CARTRIDGE DISPENSER

Simple loading mechanism

ensures cartridges are held securely



Ergonomic handle and trigger provide for comfort and minimum fatigue

Minimum trigger pressure

for effortless use

Model shown: MPD 100 mL

FEATURES

- Engineered to provide high thrust
- Minimum trigger pressure
- Ergonomic handle and trigger
- Simple breach loading mechanism

BENEFITS

- Easy comfortable operation
- For effortless use
- For minimum fatigue
- Ensures cartridges are held securely

APPLICATIONS



Bonding

PRODUCT BY RANGE



MPD 32

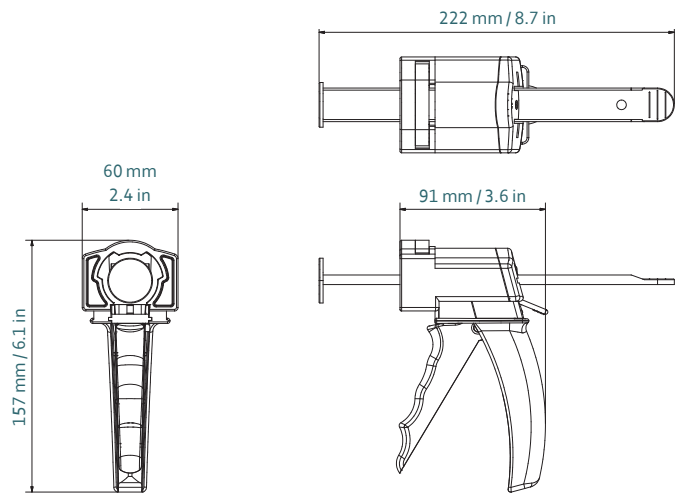
MPD 100

THE MPD 100 1-COMPONENT MANUAL DISPENSER IS DESIGNED FOR USE WITH LOW TO MEDIUM VISCOSITY SEALANTS AND ADHESIVES AND ENGINEERED TO PROVIDE HIGH THRUST WITH MINIMUM TRIGGER PRESSURE FOR EFFORTLESS USE.

SPECIFICATIONS

- Weight: 0.2 kg / 0.4 lbs
- Frame Length: 222 mm / 8.7 in
- Maximum Thrust: 2.5 kN
- Handle Material: Glass Filled Nylon
- Frame Material: Glass Filled Nylon
- Cartridge Capacity: 100–120 mL (3.4–4.1 oz)
- Mechanical Advantage Ratio: 16:1
- Viscosity: Low/Medium
- Standard Color: Grey/Blue
- Customized Versions: Yes

DIMENSIONS



Part number	Article number	Packaging
DM1C100-ca-r16-001	178303	50 per Box

MATCHING MIXPAC™ CARTRIDGES

—

COMPATIBLE CARTRIDGES

—

CONVERSION KITS

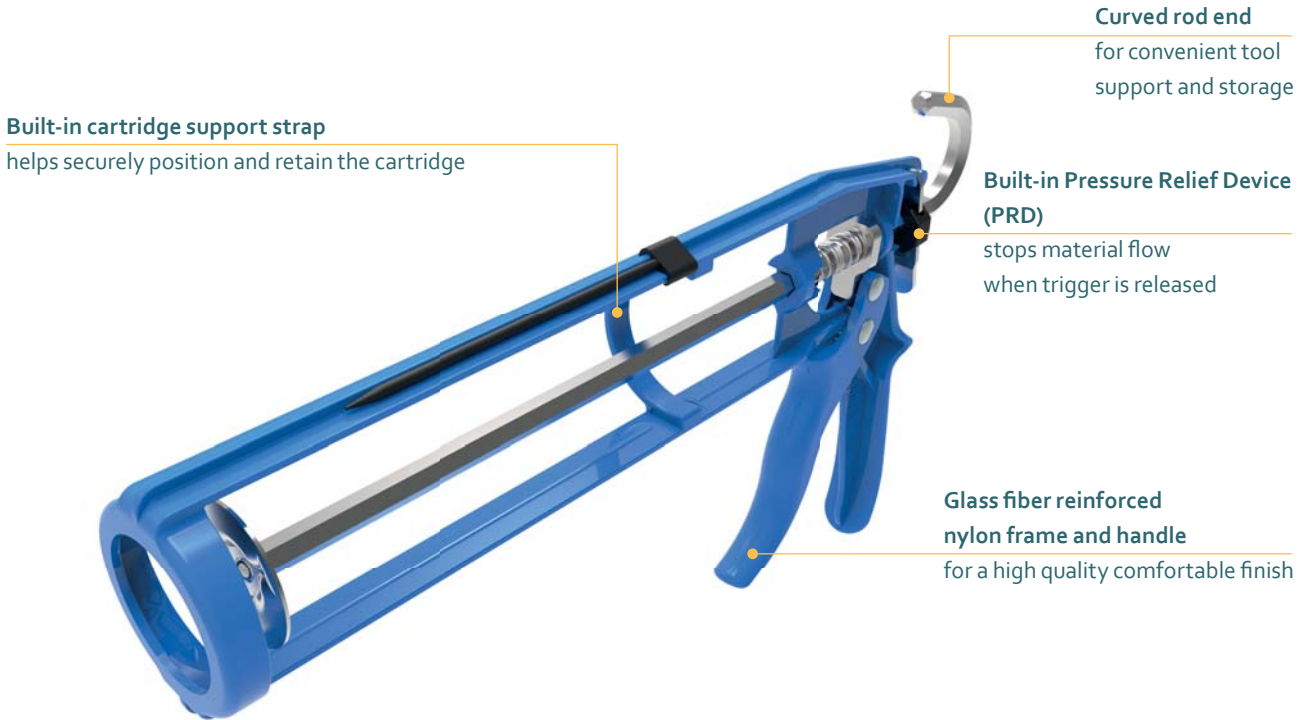
—

MATCHING ACCESSORIES

—

EASIFLOW™ HD LITE

310 ML CARTRIDGE DISPENSER



Model shown: EasiFlow HD Lite 310 mL

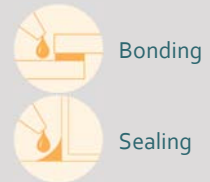
FEATURES

- Built-in Pressure Relief Device (PRD)
- Glass fiber reinforced nylon frame and handle
- Built in cartridge support strap
- Curved rod end
- Spike (US only)

BENEFITS

- Stops material flow when trigger is released
- Lightweight and highly durable
- Helps securely position and retain the cartridge
- For convenient tool support and storage
- For piercing barrier in cartridges

APPLICATIONS



PRODUCT BY RANGE



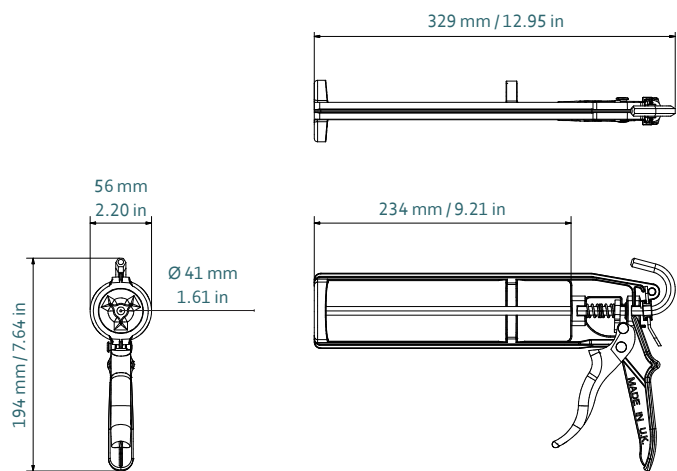
EasiFlow HD Lite EasiFlow HD

THE EASIFLOW HD LITE 1-COMPONENT MANUAL DISPENSER IS A LIGHTWEIGHT HIGHLY DURABLE DISPENSER WITH BUILT-IN PRESSURE RELIEF DEVICE WHICH STOPS MATERIAL FLOW ONCE TRIGGER IS RELEASED.

SPECIFICATIONS

- Weight: 0.32 kg / 0.71 lbs
- Frame Length: 234 mm / 9.21 in
- Maximum Thrust: 1.2 kN
- Pressure Relief Device (PRD)
- Handle Material:
Glass Fiber Reinforced Nylon
- Frame Material:
Glass Fiber Reinforced Nylon
- Cartridge Capacity: 310 mL (10.5 oz)
- Mechanical Advantage Ratio: (7:1)
- Standard Color: Blue
- Nozzle Dimension: Ø 41 mm / 1.61 in
- Customized versions on demand

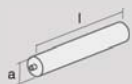
DIMENSIONS



Product	Article number	Packaging
DM1C 310-ca-r7-201	177933 (21001 for US)	25 units per Box (12 per Box for US)

MATCHING MIXPAC™ CARTRIDGES

COMPATIBLE CARTRIDGES



Plastic Cartridge
310 mL HPDE/PP/PA

	mm	inch
l	216.0	8.5
a	Ø 48.2	Ø 1.8

CONVERSION KITS

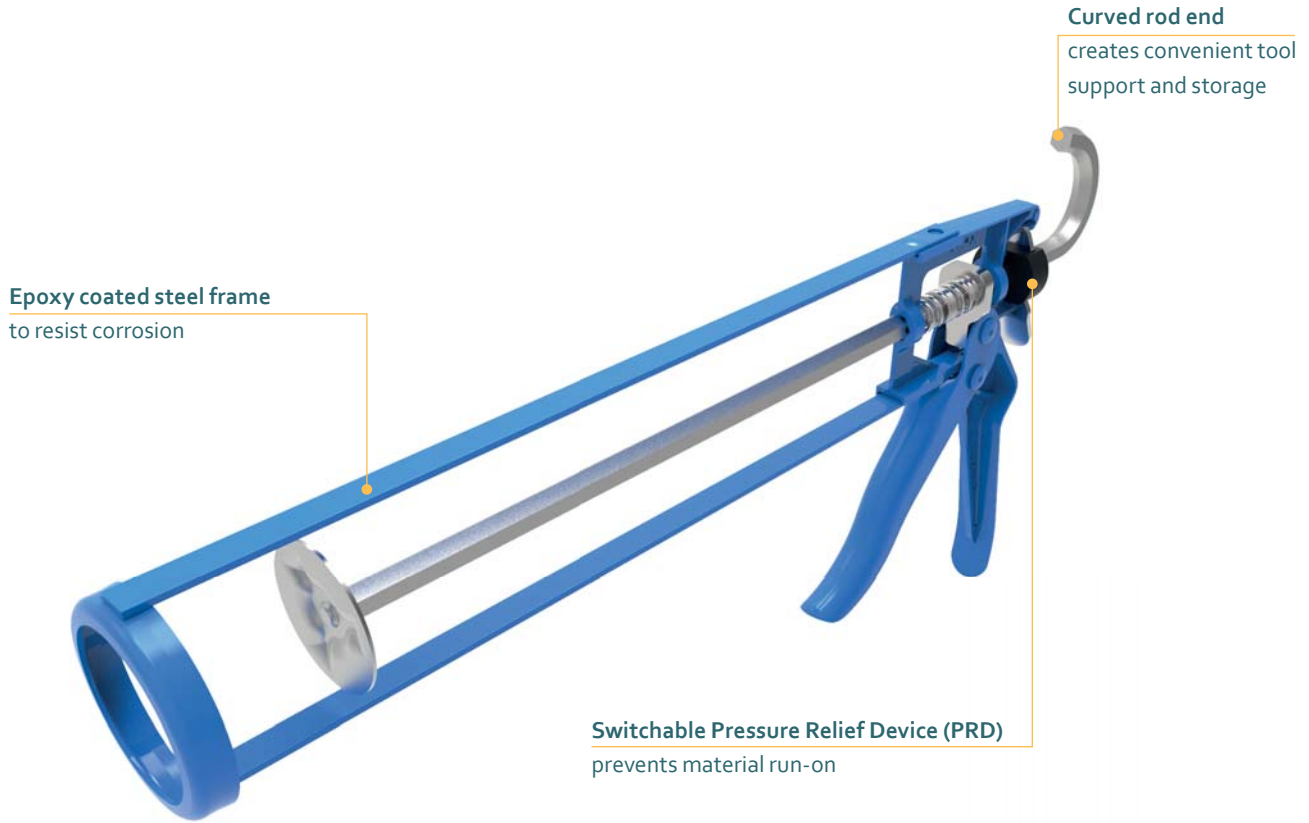
–

MATCHING ACCESSORIES

Nozzle extension / Twisty nozzle on pages 98–102.

EASIFLOW™ HD

310/400 ML CARTRIDGE DISPENSER



Model shown: EasiFlow HD 400 mL

FEATURES

- Built-in Pressure Relief Device (PRD)
- Epoxy coated steel handle and frame
- Curved rod end
- Spike (US only)

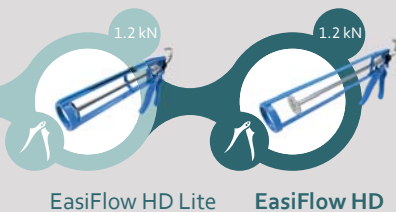
BENEFITS

- Stops material flow when trigger is released
- Lightweight and highly durable
- For convenient tool support and storage
- For piercing barrier in cartridges

APPLICATIONS



PRODUCT BY RANGE



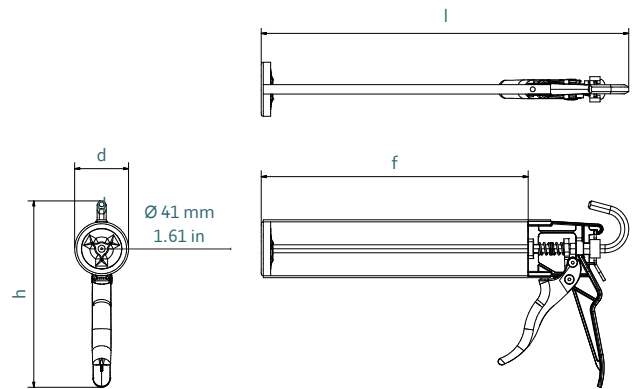
THE EASIFLOW HD 1-COMPONENT MANUAL DISPENSER IS DESIGNED FOR USE WITH LOW VISCOSITY SEALANTS AND ADHESIVES WHILE THE PRESSURE RELIEF DEVICE (PRD) PREVENTS RUN-ON.

SPECIFICATIONS

- Weight: 0.51–0.54 kg / 1.1–1.2 lbs
- Frame Length: 231–268 mm / 9.1–10.5 in
- Maximum Thrust: 1.2 kN
- Pressure Relief Device (PRD)
- Handle Material: Epoxy Coated Steel
- Frame Material: Epoxy Coated Steel
- Cartridge Capacity: 310 mL (10.5 oz), 400 mL (13.5 oz)
- Mechanical Advantage Ratio: (7:1)
- Standard Color: Blue
- Nozzle Dimension: Ø 41 mm / 1.61 in
- Customized versions on demand

DIMENSIONS (MM/IN)

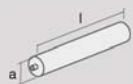
product	height (h)	length (l)	depth (d)	frame (f)
HD 310	187/8.4	328/13.3	54/2.3	231/9.1
HD 400	187/8.4	368/14.7	54/2.3	268/10.5



Product	Article number	Packaging
DM1C 310-ca-r7-001	177078 (41001 for US)	25 per Box (12 per Box for US)
DM1C 400-ca-r7-001	177094	25 per Box

MATCHING MIXPAC™ CARTRIDGES

COMPATIBLE CARTRIDGES



Plastic Cartridge
310 mL HPDE/PP/PA

	mm	inch
l	216.0	8.5
a	Ø 48.2	Ø 1.8



Plastic Cartridge
400 mL HPDE/PA

	mm	inch
l	256.0	10.0
a	Ø 49.0	Ø 1.9

CONVERSION KITS

MATCHING ACCESSORIES

Nozzle extension / Twisty nozzle on pages 98–102.

MIDIFLOW™ CARTRIDGE

310/400 ML CARTRIDGE DISPENSER



Model shown: MidiFlow Cartridge 400 mL

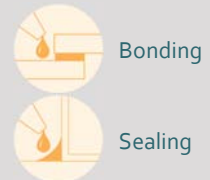
FEATURES

- Ergonomically designed handle
- U-opening rotating steel frame
- Curved rod end
- Wear compensation sleeve

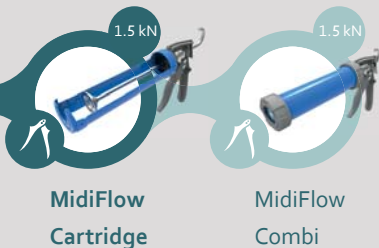
BENEFITS

- Lightweight highly durable
- Ease of cartridge insertion and removal
- Convenient tool support and storage
- For increased durability

APPLICATIONS



PRODUCT BY RANGE

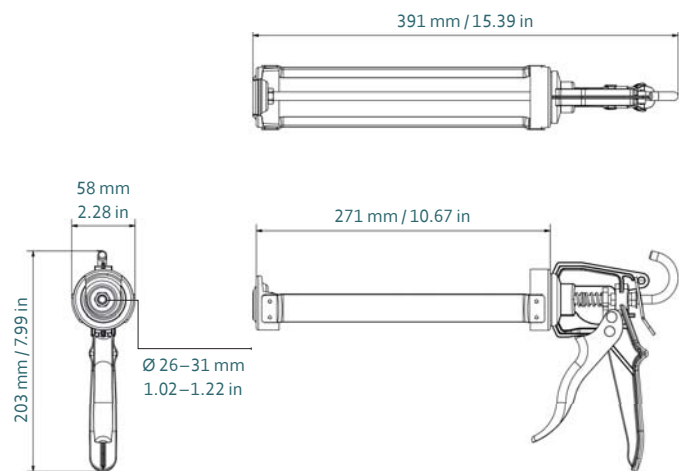


THE MIDIFLOW 1-COMPONENT MANUAL DISPENSER IS A LIGHT-WEIGHT HIGHLY DURABLE DISPENSER WITH U-OPENING STEEL FRAME FOR EASY INSERTION AND REMOVAL OF CARTRIDGES.

SPECIFICATIONS

- Weight: 0.67 kg / 1.5 lbs
- Frame Length: 271 mm / 10.67 in
- Maximum Thrust: 1.5 kN
- Handle Material:
Glass Fiber Reinforced Nylon
- Frame Material: Epoxy Coated Steel
- Cartridge Capacity: 310 mL (10.5 oz),
400 mL (13.5 oz)
- Mechanical Advantage Ratio: (10:1)
- Standard Color: Blue/Grey
- Nozzle Dimension:
Ø 26–31 mm / 1.02–1.22 in
- Customized versions on demand

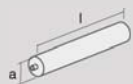
DIMENSIONS



Product	Article number	Packaging
DM1C 400-ca-r10-001	181192	10 per Box

MATCHING MIXPAC™ CARTRIDGES

COMPATIBLE CARTRIDGES



Plastic Cartridge
310 mL HPDE/PP/PA

	mm	inch
l	216.0	8.5
a	Ø 48.2	Ø 1.8



Plastic Cartridge
400 mL HPDE/PA

	mm	inch
l	256.0	10.0
a	Ø 49.0	Ø 1.9

CONVERSION KITS

–

MATCHING ACCESSORIES

Nozzle extension / twisty nozzle on pages 98–102.

MIDIFLOW™ COMBI

310–600 ML CARTRIDGE & SACHET DISPENSER



Model shown: MidiFlow Combi 600 mL

FEATURES

- Ergonomically designed handle
- Barrel housing for cartridges and sachets
- Curved rod end
- Surface hardened catch plate and rod design

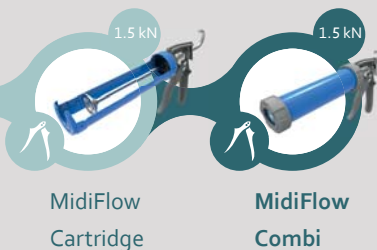
BENEFITS

- Lightweight highly durable
- Gives you complete flexibility
- For convenient tool support and storage
- Maintains high material output

APPLICATIONS



PRODUCT BY RANGE

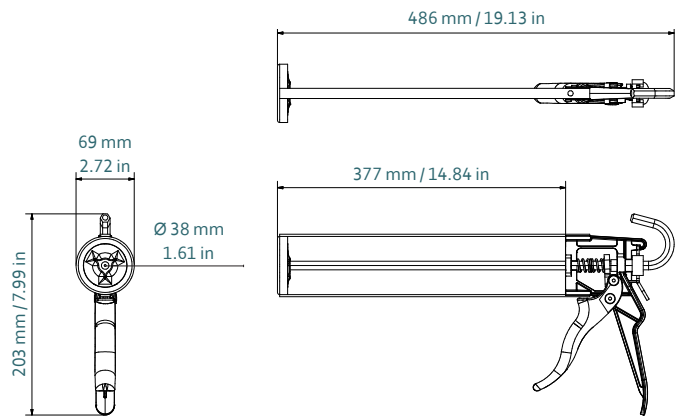


THE MIDIFLOW COMBI 1-COMPONENT MANUAL DISPENSER IS COMPATIBLE WITH BOTH CARTRIDGES AND SACHETS ALLOWING THE USER COMPLETE FLEXIBILITY BETWEEN SEALANT SYSTEMS.

SPECIFICATIONS

- Weight: 0.58 kg / 1.3 lbs
- Barrel Length: 377 mm / 14.84 in
- Maximum Thrust: 1.5 kN
- Handle Material:
Glass Fiber Reinforced Nylon
- Barrel Material: ABS Polymer
- Cartridge Capacity: 310 mL (10.5 oz),
400 mL (13.5 oz)
- Sachet Capacity: 310 mL (10.5 oz),
400 mL (13.5 oz), 600 mL (20.3 oz)
- Mechanical Advantage Ratio: (10:1)
- Standard Color: Blue/Grey
- Nozzle Dimension: Ø 38 mm / 1.5 in
- Customized versions on demand

DIMENSIONS



Product	Article number	Packaging
DM1C 600-cm-r10-001	159906 (31001-600 for US)	10 per Box (3 per Box for US)

MATCHING MIXPAC™ CARTRIDGES

COMPATIBLE CARTRIDGES AND SACHETS

	mm	inch		mm	inch		mm	inch		mm	inch		mm	inch						
	l	216.0	8.5	a	Ø 48.2	Ø 1.8		l	220.0	8.66	a	Ø 50.0	Ø 1.97		l	256.0	10.0	a	Ø 49.0	Ø 1.9
	l	258.0	10.16	a	Ø 50.0	Ø 1.97		l	335.0	13.19	a	Ø 50.0	Ø 1.97							

CONVERSION KITS

MATCHING ACCESSORIES

Nozzle extension / twisty nozzle / yellow cone / white cone / orange cone nozzle on pages 98–102.

POWERFLOW™ CARTRIDGE

310/400 ML CARTRIDGES DISPENSER



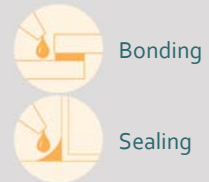
FEATURES

- High quality epoxy coated cast aluminum handle
- U-opening steel frame
- Curved rod end
- Switchable Pressure Relief Device (PRD)
- Rotating Frame
- Spike (US only)

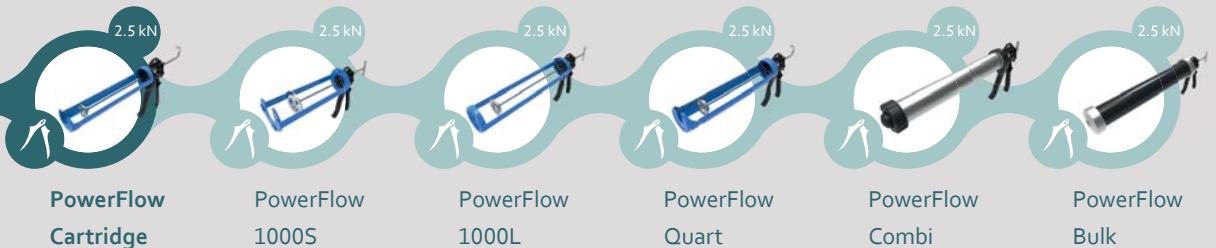
BENEFITS

- Powerful and highly durable
- For ease of cartridge insertion and removal
- Creates convenient tool support and storage
- Prevents material run-on
- For easy cartridge insertion and allows continuous bead around corners
- For piercing barrier in cartridges

APPLICATIONS



PRODUCT BY RANGE



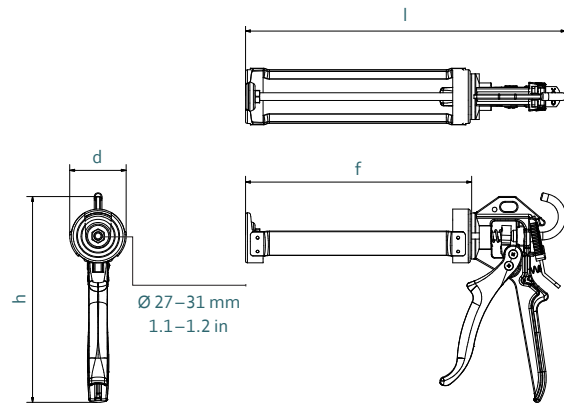
THE POWERFLOW CARTRIDGE 1-COMPONENT MANUAL DISPENSER IS PART OF A RANGE OF HIGH POWERED DISPENSERS DESIGNED FOR USE WITH LOW TO MEDIUM VISCOSITY SEALANTS AND ADHESIVES.

SPECIFICATIONS

- Weight: 0.75–0.79 kg / 1.65–1.74 lbs
- Frame Length: 233–274 mm / 9.3–15.0 in
- Maximum Thrust: 2.5 kN
- Pressure Relief Device (PRD)
- Handle Material: Epoxy Coated Aluminum
- Frame Material: Epoxy Coated Steel
- Cartridge Capacity: 310 mL (10.5 oz), 400 mL (13.5 oz)
- Mechanical Advantage Ratio: (12:1)
- Standard Color: Blue/Black
- Nozzle Dimension: \varnothing 27–31 mm / 1.1–1.2 in
- Customized versions on demand

DIMENSIONS (MM/IN)

product	height (h)	length (l)	depth (d)	frame (f)
Cartridge 310	213 / 8.4	334 / 13.1	58.5 / 2.3	233 / 9.3
Cartridge 400	213 / 8.4	391 / 15.3	58.3 / 2.3	274 / 10.8



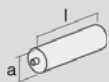
Product	Article number	Packaging
DM1C 310-ca-r12-101	177168 (41004 for US)	10 per Box (6 per Box for US)
DM1C 400-ca-r12-001	177180	10 per Box

MATCHING MIXPAC™ CARTRIDGES



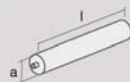
Peeler Cartridge

COMPATIBLE CARTRIDGES



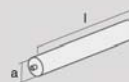
Plastic Cartridge
150 mL HPDE

	mm	inch
l	124.5	4.9
a	\varnothing 48.7	\varnothing 1.9



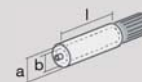
Plastic Cartridge
310 mL HPDE/PP/PA

	mm	inch
l	216.0	8.5
a	\varnothing 48.2	\varnothing 1.8



Plastic Cartridge
400 mL HPDE/PA

	mm	inch
l	256.0	10.1
a	\varnothing 49.0	\varnothing 1.9



Plastic Cartridge
150 mL 1:1, 2:1, 10:1 PP

	mm	inch
l	117	4.6
a	\varnothing 50.0	\varnothing 1.9
1:1 b	\varnothing 32.0	\varnothing 1.2
2:1 b	\varnothing 26.0	\varnothing 1.0
10:1 b	\varnothing 14.3	\varnothing 0.5

CONVERSION KITS

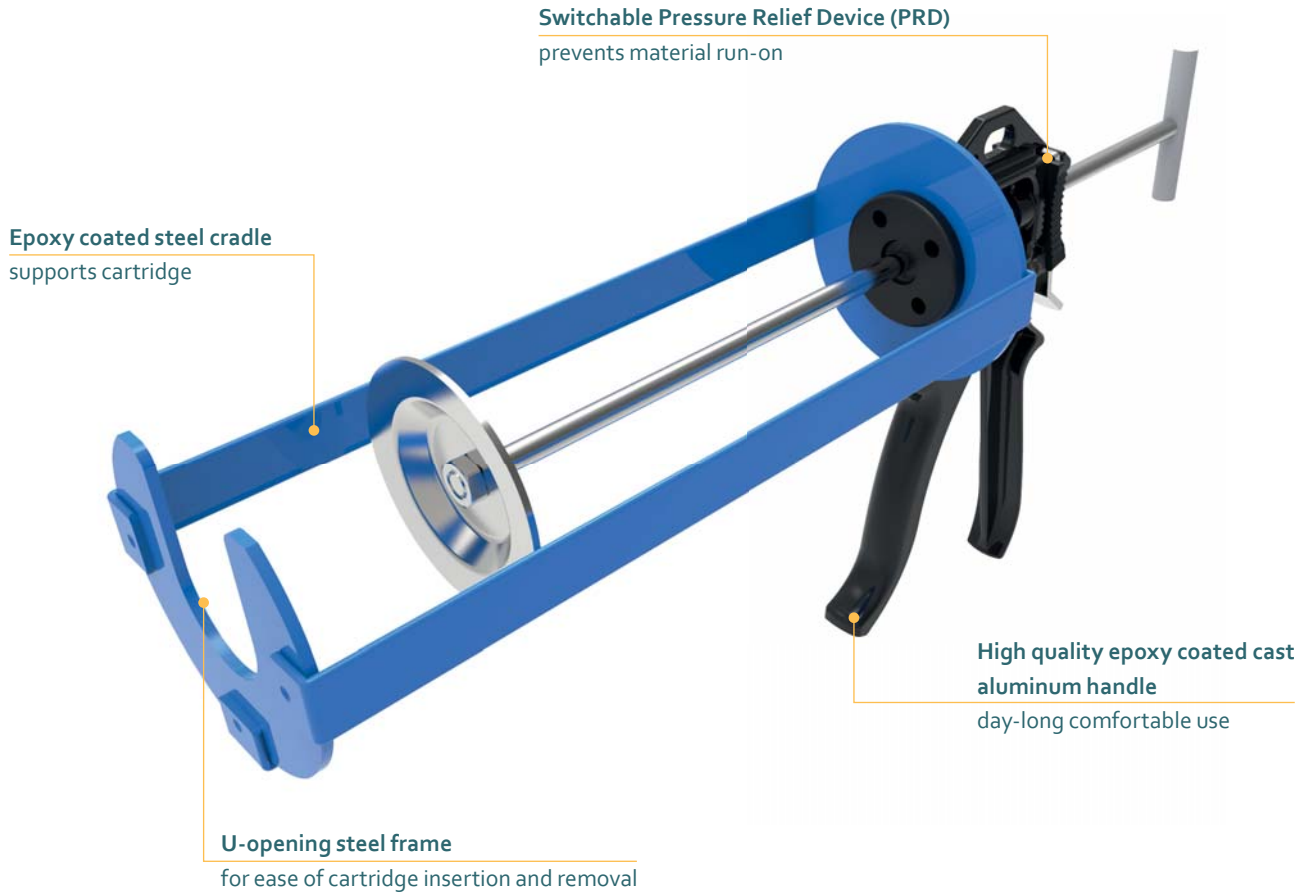
–

MATCHING ACCESSORIES

Nozzle extension / Twisty nozzle on pages 98–102.

POWERFLOW™ 1000S

1000 ML CARTRIDGE DISPENSER



Model shown: PowerFlow Cartridge 1000S 1000 mL

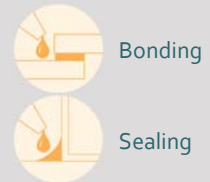
FEATURES

- High quality epoxy coated cast aluminum handle
- U-opening steel frame
- Rotating steel frame
- Switchable Pressure Relief Device (PRD)

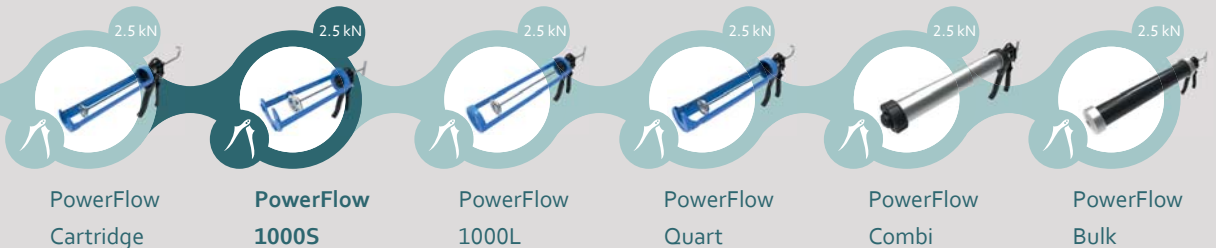
BENEFITS

- Powerful and highly durable
- Ease of cartridge insertion and removal
- Allows continuous bead around corners
- Prevents material run-on

APPLICATIONS



PRODUCT BY RANGE



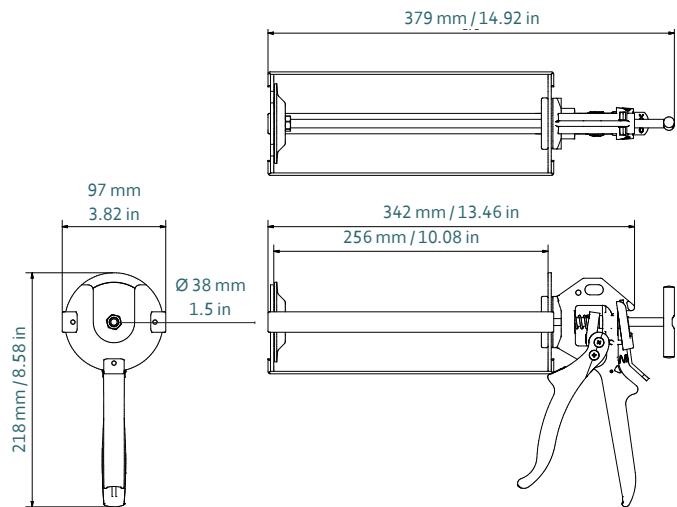
THE POWERFLOW 1000S 1-COMPONENT MANUAL DISPENSERS

U-OPENING STEEL FRAME ALLOWS FOR EASY INSERTION AND REMOVAL OF CARTRIDGES WHILE THE SWITCHABLE PRESSURE RELIEF DEVICE (PRD) PREVENTS MATERIAL RUN-ON.

SPECIFICATIONS

- Weight: 1.12 kg / 2.46 lbs
- Frame Length: 256 mm / 10.08 in
- Maximum Thrust: 2.5 kN
- Pressure Relief Device (PRD)
- Handle Material: Epoxy Coated Aluminum
- Frame Material: Epoxy Coated Steel
- Tool Component Approvals: REACH
- Cartridge Capacity: 1000 mL (33.8 oz)
- Mechanical Advantage Ratio: (12:1)
- Standard Color: Blue/Black
- Nozzle Dimension: \varnothing 38 mm / 1.5 in
- Customized versions on demand

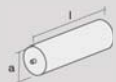
DIMENSIONS



Product	Article number	Packaging
DM1C1000-ca-r12-001	177298	1 per Box

MATCHING MIXPAC™ CARTRIDGES

COMPATIBLE CARTRIDGES



Plastic Cartridge
1000 mL HPDE

	mm	inch
l	211.5	8.3
a	\varnothing 88.4	\varnothing 3.4

CONVERSION KITS

MATCHING ACCESSORIES

POWERFLOW™ 1000L

1000 ML CARTRIDGE DISPENSER



Model shown: PowerFlow 1000L 1000 mL

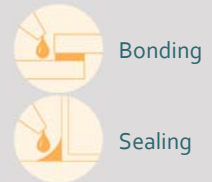
FEATURES

- High quality epoxy coated cast aluminum handle
- Epoxy coated steel cradle
- Switchable Pressure Relief Device (PRD)

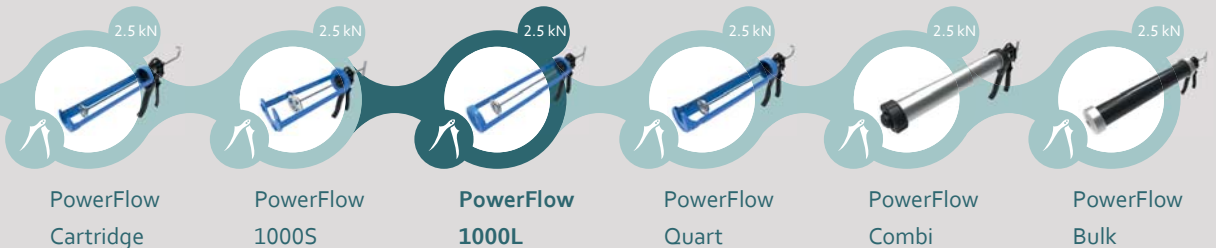
BENEFITS

- Powerful and highly durable
- Lightweight and highly durable
- Prevents material run on

APPLICATIONS



PRODUCT BY RANGE

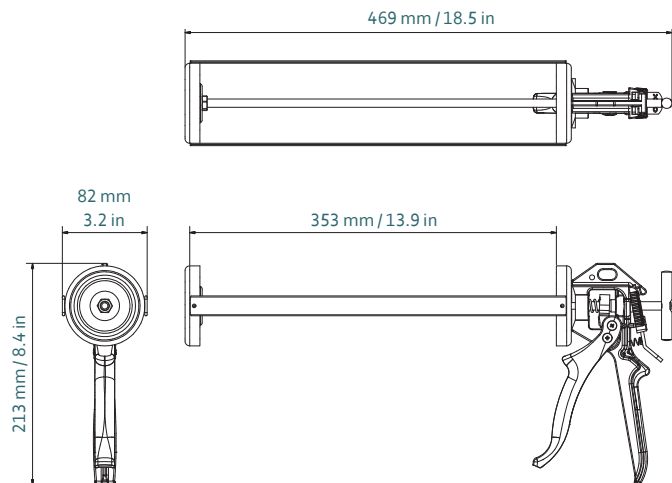


THE POWERFLOW 1000L 1-COMPONENT MANUAL DISPENSER DESIGNED FOR USE WITH LOW TO MEDIUM VISCOSITY SEALANTS AND ADHESIVES WITH U-OPENING STEEL FRAME FOR EASY INSERTION AND REMOVAL OF CARTRIDGES.

SPECIFICATIONS

- Weight: 1.12 kg / 2.46 lbs
- Frame Length: 324 mm / 12.8 in
- Maximum Thrust: 2.5 kN
- Pressure Relief Device (PRD)
- Handle Material: Epoxy Coated Aluminum
- Frame Material: Epoxy Coated Steel
- Cartridge Capacity: 1000 mL (33.8 oz)
- Mechanical Advantage Ratio: (12:1)
- Viscosity: Low/Medium
- Standard Color: Blue/Black
- Nozzle Dimension: Ø 38 mm / 1.5 in
- Customized versions on demand

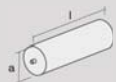
DIMENSIONS



Product	Article number	Packaging
DM1C1000-ca-r12-11	177261	1 per Box

MATCHING MIXPAC™ CARTRIDGES

COMPATIBLE CARTRIDGES



Plastic Cartridge
1000 mL HPDE

	mm	inch
l	211.5	8.3
a	Ø 88.4	Ø 3.4

CONVERSION KITS

MATCHING ACCESSORIES

POWERFLOW™ QUART

946 ML CARTRIDGE DISPENSER



Model shown: PowerFlow Quart Cartridge 946 mL

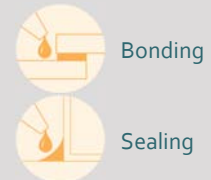
FEATURES

- High quality epoxy coated cast aluminum handle
- U-opening steel frame
- Curved rod end
- Switchable Pressure Relief Device (PRD)
- Rotating Frame
- Spike (US only)

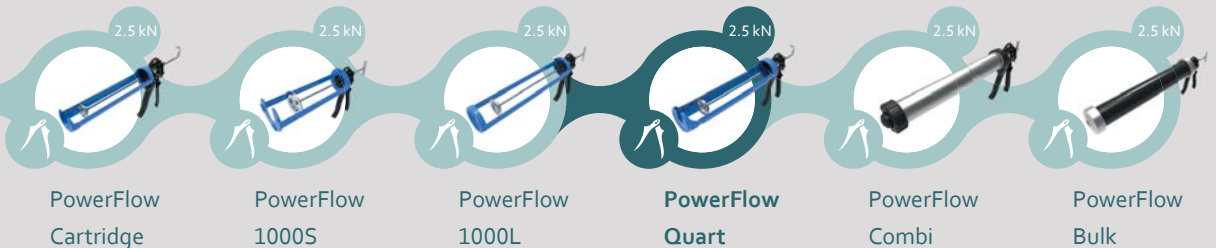
BENEFITS

- Powerful and highly durable
- Ease of cartridge insertion and removal
- Creates convenient tool support and storage
- Prevents material run-on
- For easy cartridge insertion and allows continuous bead around corners
- For piercing barrier in cartridges

APPLICATIONS



PRODUCT BY RANGE

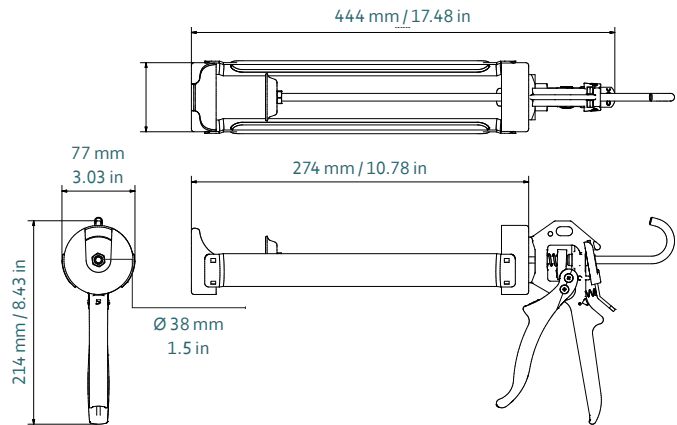


THE POWERFLOW QUART 1-COMPONENT MANUAL DISPENSER IS A LIGHT WEIGHT HIGHLY DURABLE DISPENSER WITH ROTATING U-OPENING STEEL FRAME FOR EASY INSERTION AND REMOVAL OF CARTRIDGES.

SPECIFICATIONS

- Weight: 0.79 kg / 1.7 lbs
- Frame Length: 274 mm / 10.78 in
- Maximum Thrust: 2.5 kN
- Pressure Relief Device (PRD)
- Handle Material: Epoxy Coated Aluminum
- Frame Material: Epoxy Coated Steel
- Cartridge Capacity: 946 mL (32 oz)
- Mechanical Advantage Ratio: (12:1)
- Standard Color: Blue/Black
- Nozzle Dimension: Ø 38 mm / 1.5 in
- Customized versions on demand

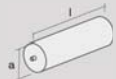
DIMENSIONS



Product	Article number	Packaging
Quart Cartridge	41002 for US	3 per Box

MATCHING MIXPAC™ CARTRIDGES

COMPATIBLE CARTRIDGES



Plastic Cartridge-Quart
946 mL

	mm	inch
l	320	12.6
a	Ø 67.0	Ø 2.6

CONVERSION KITS

MATCHING ACCESSORIES

POWERFLOW™ COMBI

310–600 ML CARTRIDGE & SACHET DISPENSER



Model shown: PowerFlow Combi 600 mL

FEATURES

- High quality epoxy coated cast aluminum handle
- Anodized aluminum barrel
- Switchable Pressure Relief Device (PRD)
- Contoured handle and trigger grip

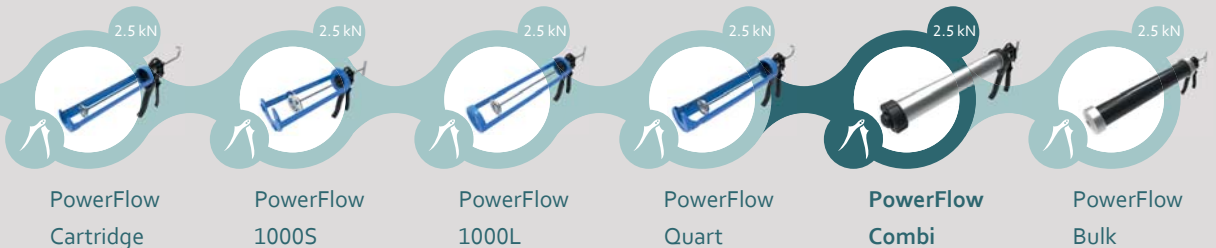
BENEFITS

- Lightweight and highly durable
- Easily converted from cartridge to sachet
- Prevents material run-on
- For ease of use

APPLICATIONS



PRODUCT BY RANGE



PowerFlow
Cartridge

PowerFlow
1000S

PowerFlow
1000L

PowerFlow
Quart

PowerFlow
Combi

PowerFlow
Bulk

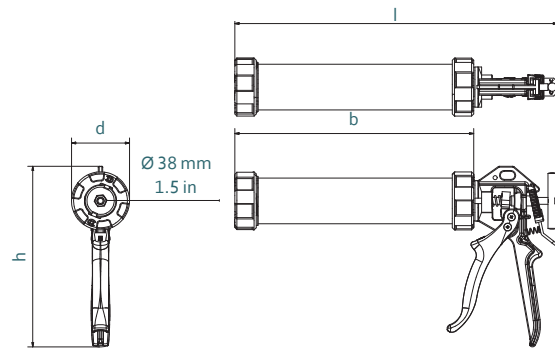
THE POWERFLOW COMBI 1-COMPONENT MANUAL DISPENSER DESIGNED FOR USE WITH LOW TO MEDIUM VISCOSITY SEALANTS AND COMPATIBLE WITH BOTH CARTRIDGES AND SACHETS.

SPECIFICATIONS

- Weight: 0.9–1.1 kg / 2.0–2.3 lbs
- Barrel Length: 236–389 mm / 9.3–15.3 in
- Maximum Thrust: 2.5 kN
- Handle Material: Epoxy Coated Aluminum
- Barrel Material: Anodized Aluminum
- Barrel Type: Anodized Aluminum / Clear Plastic
- Cartridge Capacity: 310 mL (10.5 oz), 400 mL (13.5 oz)
- Sachet Capacity: 310 mL (10.5 oz), 400 mL (13.5 oz), 600 mL (20.3 oz)
- Mechanical Advantage Ratio: (12:1)
- Standard Color: Black/Grey
- Nozzle Dimension: Ø 38 mm / 1.5 in
- Customized versions on demand

DIMENSIONS (MM/IN)

product	height (h)	length (l)	depth (d)	barrel (b)
Combi 310	213 / 8.4	337 / 13.3	69 / 2.7	236 / 9.3
Combi 400	213 / 8.4	381 / 14.7	69 / 2.7	282 / 11.1
Combi 600	213 / 8.4	488 / 19.0	69 / 2.7	389 / 15.3

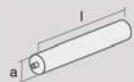


Product	Article number	Packaging
	Anodized Aluminium Barrel	Clear Plastic Barrel
DM1C 310-cm-r12-021	177312 / 51000 (for US)	-
DM1C 310-cm-r12-001	177313	-
DM1C 310-cm-r12-101	-	177315
DM1C 400-cm-r12-002	177328 / 51000-400 (for US)	-
DM1C 400-cm-r12-001	177329	-
DM1C 400-cm-r12-101	-	177331
DM1C 600-cm-r12-052	177353	-
DM1C 600-cm-r12-001	177354	-
DM1C 600-cm-r12-101	-	177356

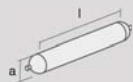
MATCHING MIXPAC™ CARTRIDGES



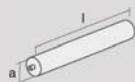
COMPATIBLE CARTRIDGES AND SACHETS



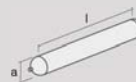
Plastic Cartridge
310 mL HPDE/PP/PA



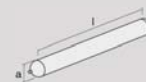
Sachet
310 mL



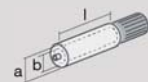
Plastic Cartridge
400 mL HPDE/PA



Sachet
400 mL



Sachet
600 mL



Plastic Cartridge
150 mL 1:1, 2:1, 10:1 PP

	mm	inch	mm	inch	mm	inch	mm	inch	mm	inch	mm	inch	
l	216.0	8.5	220.0	8.66	256.0	10.1	258.0	10.16	335.0	13.2	117	4.6	
a	Ø 48.2	Ø 1.8	Ø 50.0	Ø 1.97	Ø 49.0	Ø 1.9	Ø 50.0	Ø 1.97	Ø 50.0	Ø 2.0	Ø 50.0	Ø 1.9	
											1:1 b	Ø 32.0	Ø 1.2
											2:1 b	Ø 26.0	Ø 1.0
											10:1 b	Ø 14.3	Ø 0.5

CONVERSION KITS

Peeler Front Cap

MATCHING ACCESSORIES

Nozzle extension / Twisty nozzle / White Cone / Yellow Cone / Orange Cone nozzle / Ladder Hook Kit on pages 98–102.

POWERFLOW™ BULK

2000/3000/4000 ML DISPENSER



Model shown: PowerFlow Bulk 4000 mL

FEATURES

- Epoxy coated cast aluminum handle
- Quick release aluminum end caps
- Switchable Pressure Relief Device (PRD)

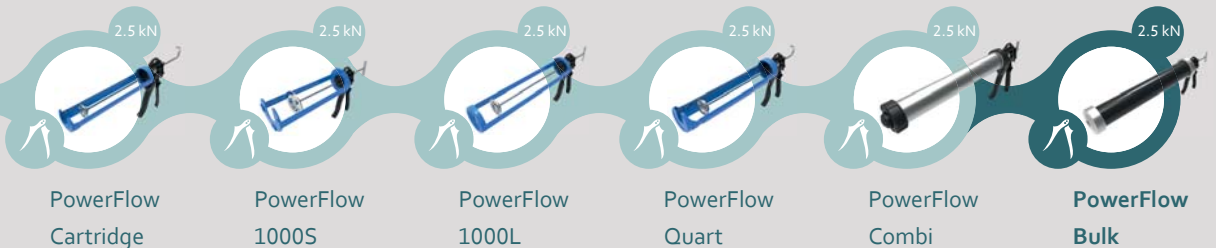
BENEFITS

- For fast, efficient dispensing
- No-loss trigger action for fast, efficient dispensing
- Prevents material run-on

APPLICATIONS



PRODUCT BY RANGE



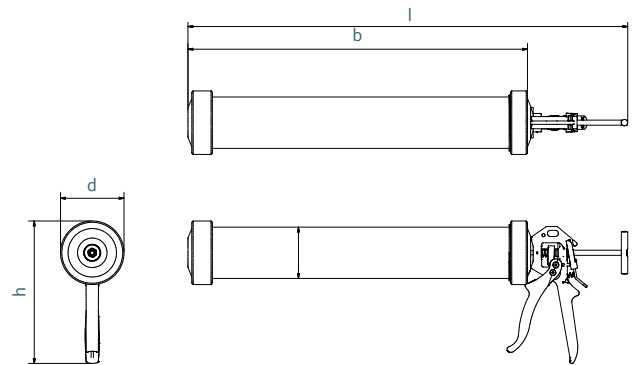
THE POWERFLOW BULK 1-COMPONENT MANUAL DISPENSER IS A HIGHLY DURABLE DISPENSER WITH EPOXY COATED STEEL BARREL FOR FAST, EFFICIENT DISPENSING.

SPECIFICATIONS

- Weight: 3.1–4.5 kg / 6.9–9.9 lbs
- Barrel Length: 529–935 mm / 20.8–36.8 in
- Maximum Thrust: 2.5 kN
- Pressure Relief Device (PRD)
- Handle Material: Epoxy Coated Cast Aluminum
- Barrel Material: Epoxy Coated Steel
- Mechanical Advantage Ratio: (12:1)
- Bulk Material Capacity: 2000 mL, 4000 mL
- Special Barrel Length: available upon request
- Standard Color: Black
- Customized versions on demand

DIMENSIONS (MM/IN)

product	height (h)	length (l)	depth (d)	barrel (b)
Bulk 2L	222 / 8.7	685 / 27.0	99 / 3.9	529 / 20.8
Bulk 3L	222 / 8.7	939 / 37.0	99 / 3.9	783 / 30.8
Bulk 4L	222 / 8.7	1087 / 42.8	99 / 3.9	935 / 36.8



Product	Article number	Packaging
DM1C 2000-bu-r12-001	178018	1 per Box
DM1C 3000-bu-r12-001	178019	1 per Box
DM1C 4000-bu-r12-001	178020	1 per Box

MATCHING MIXPAC™ CARTRIDGES

COMPATIBLE CARTRIDGES



CONVERSION KITS

MATCHING ACCESSORIES

Carrying handle / Threaded nozzles on pages 98–102.

POWERFLOW™ HP CARTRIDGE

310/400 ML CARTRIDGE DISPENSER



Model shown: PowerFlow HP Cartridge 310 mL

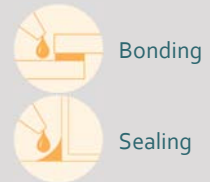
FEATURES

- High quality epoxy coated cast aluminum handle
- U-opening steel frame
- Curved rod end
- Switchable Pressure Relief Device (PRD)
- Rotating Frame
- Spike (US only)

BENEFITS

- Powerful and highly durable
- Ease of cartridge insertion and removal
- Creates convenient tool support and storage
- Prevents material run-on
- For easy cartridge insertion and allows continuous bead around corners
- For piercing barrier in cartridges

APPLICATIONS



PRODUCT BY RANGE



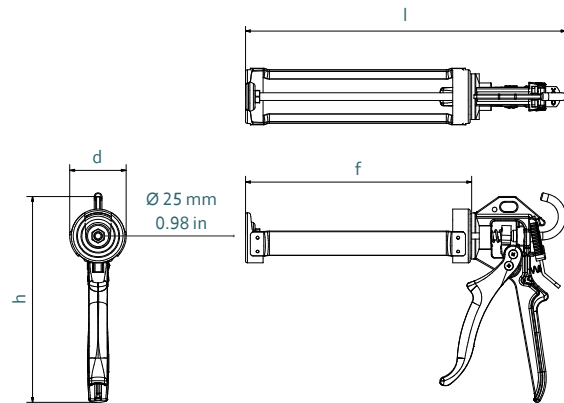
THE POWERFLOW HP 1-COMPONENT MANUAL IS A HIGH POWERED DISPENSER WITH U-OPENING ROTATING STEEL FRAME FOR EASY INSERTION AND REMOVAL OF CARTRIDGES.

SPECIFICATIONS

- Weight: 0.8–0.9 kg / 1.7–2.1 lbs
- Frame Length: 233–271 mm / 9.2–10.7 in
- Maximum Thrust: 3.5 kN
- Pressure Relief Device (PRD)
- Handle Material: Epoxy Coated Aluminum
- Frame Material: Epoxy Coated Steel
- Cartridge Capacity: 310 mL (10.5 oz), 400 mL (13.5 oz)
- Mechanical Advantage Ratio: (18:1)
- Standard Color: Blue/Black
- Nozzle Dimension: Ø 25 mm / 0.98 in
- Customized versions on demand

DIMENSIONS (MM/IN)

product	height (h)	length (l)	depth (d)	frame (f)
Cart. 310 HP	217/8.5	334/13.1	58.5/2.3	233/9.2
Cart. 400 HP	217/8.5	391/15.3	58.3/2.3	271/10.7



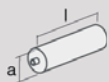
Product	Article number	Packaging
DM1C 310-ca-r18-001	177229 (41004-XT for US)	1 per Box (6 per Box for US)
DM1C 400-ca-r18-001	177247	10 per Box

MATCHING MIXPAC™ CARTRIDGES



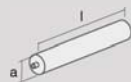
Peeler Cartridge

COMPATIBLE CARTRIDGES



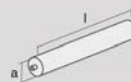
Plastic Cartridge
150 mL HPDE

	mm	inch
l	124.5	4.9
a	Ø 48.7	Ø 1.9



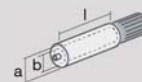
Plastic Cartridge
310 mL HPDE/PP/PA

	mm	inch
l	216.0	8.5
a	Ø 48.2	Ø 1.8



Plastic Cartridge
400 mL HPDE/PA

	mm	inch
l	256.0	10.1
a	Ø 49.0	Ø 1.9



Plastic Cartridge
150 mL 1:1, 2:1, 10:1 PP

	mm	inch
l	117	4.6
a	Ø 50.0	Ø 1.9
1:1 b	Ø 32.0	Ø 1.2
2:1 b	Ø 26.0	Ø 1.0
10:1 b	Ø 14.3	Ø 0.5

CONVERSION KITS

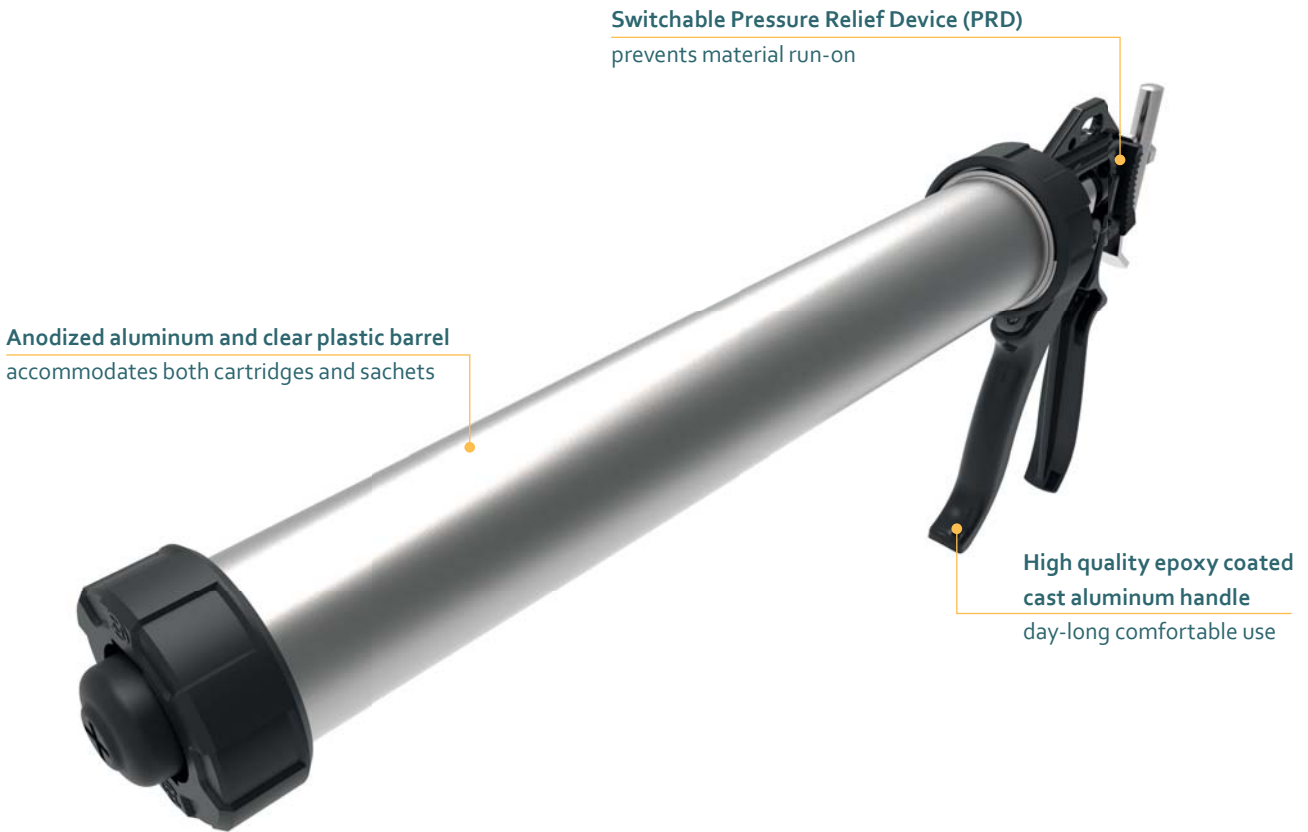
–

MATCHING ACCESSORIES

Nozzle extension / Twisty nozzle on pages 98–102.

POWERFLOW™ HP COMBI

310–600 ML CARTRIDGE & SACHET



Switchable Pressure Relief Device (PRD)
prevents material run-on

Anodized aluminum and clear plastic barrel
accommodates both cartridges and sachets

High quality epoxy coated cast aluminum handle
day-long comfortable use

Model shown: PowerFlow HP Combi 600 mL

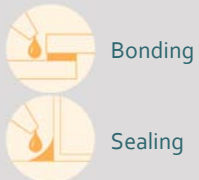
FEATURES

- High quality epoxy coated cast aluminum handle
- Easily converted for cartridges and sachets
- Switchable Pressure Relief Device (PRD)

BENEFITS

- For day long comfortable use
- Gives you complete flexibility
- Prevents material run-on

APPLICATIONS



Bonding

Sealing

PRODUCT BY RANGE



PowerFlow
HP Cartridge

PowerFlow
HP Combi

PowerFlow
HP Quart

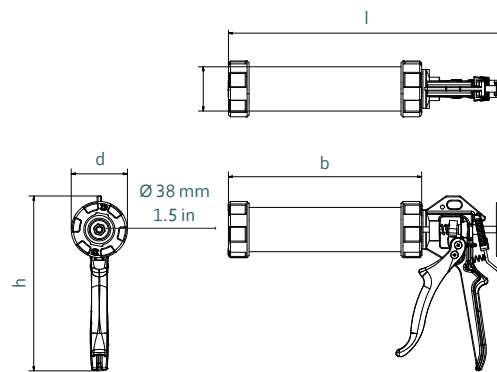
THE POWERFLOW COMBI HP 1-COMPONENT MANUAL DISPENSER IS DESIGNED FOR USE WITH MEDIUM TO HIGH VISCOSITY SEALANTS AND ADHESIVES COMPATIBLE WITH BOTH CARTRIDGES AND SACHETS FOR COMPLETE FLEXIBILITY.

SPECIFICATIONS

- Weight: 0.9–1.1 kg / 2.0–2.3 lbs
- Barrel Length: 274–382 mm / 10.8–15.0 in
- Maximum Thrust: 3.5 kN
- Handle Material: Epoxy Coated Aluminum
- Barrel Material: Anodized Aluminum / Clear Plastic
- Cartridge Capacity: 310 mL (10.5 oz), 400 mL (13.5 oz)
- Sachet Capacity: 310 mL (10.5 oz), 400 mL (13.5 oz), 600 mL (20.3 oz)
- Mechanical Advantage Ratio: (18:1)
- Standard Color: Black/Grey
- Nozzle Dimension: Ø 38 mm / 1.5 in
- Customized versions on demand

DIMENSIONS (MM/IN)

product	height (h)	length (l)	depth (d)	barrel (b)
Combi 300 HP	213 / 8.4	376 / 14.8	69 / 2.7	274 / 10.8
Combi 400 HP	213 / 8.4	376 / 14.8	69 / 2.7	274 / 10.8
Combi 600 HP	213 / 8.4	493 / 19.4	69 / 2.7	382 / 15.0



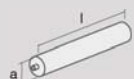
Product	Article number	Packaging
	Anodized Aluminium Barrel	
DM1C 310-cm-r18-001	177319 (51000-XT for US)	10 per Box (1 per Box for US)
DM1C 400-cm-r18-001	177327 (51000-400XT for US)	10 per Box (1 per Box for US)
DM1C 600-cm-r18-001	177351 (51001-XT for US)	10 per Box (1 per Box for US)

MATCHING MIXPAC™ CARTRIDGES

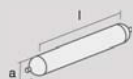


Peeler Cartridge

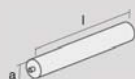
COMPATIBLE CARTRIDGES AND SACHETS



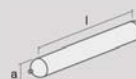
Plastic Cartridge
310 mL HPDE/PP/PA



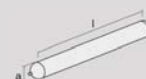
Sachet
310 mL



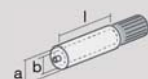
Plastic Cartridge
400 mL HPDE/PA



Sachet
400 mL



Sachet
600 mL



Plastic Cartridge
150 mL 1:1, 2:1, 10:1 PP

	mm	inch	mm	inch	mm	inch	mm	inch	mm	inch	mm	inch	
l	216.0	8.5	220.0	8.66	256.0	10.1	258.0	10.16	335.0	13.2	117	4.6	
a	Ø 48.2	Ø 1.8	Ø 50.0	Ø 1.97	Ø 49.0	Ø 1.9	Ø 50.0	Ø 1.97	Ø 50.0	Ø 2.0	Ø 50.0	Ø 1.9	
											1:1 b	Ø 32.0	Ø 1.2
											2:1 b	Ø 26.0	Ø 1.0
											10:1 b	Ø 14.3	Ø 0.5

CONVERSION KITS

G2 Bulk Plunger / Peeler Front Cap

MATCHING ACCESSORIES

Nozzle extension / Twisty nozzle / White Cone / Yellow Cone / Orange Cone on pages 98–102.

POWERFLOW™ HP QUART

946 ML CARTRIDGE DISPENSER



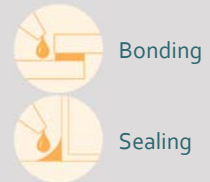
FEATURES

- High quality epoxy coated cast aluminum handle
- Epoxy coated steel cradle supports cartridge
- Curved rod end
- Switchable Pressure Relief Device (PRD)
- Spike (US only)

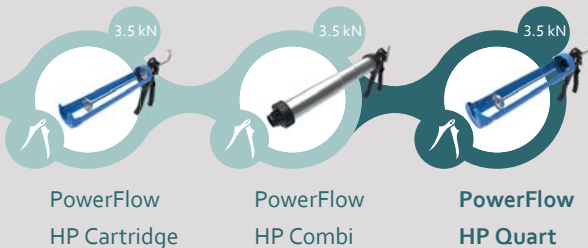
BENEFITS

- Gives you day-long comfortable use
- For convenient tool support and storage
- Creates convenient tool support and storage
- Prevents material run-on
- For piercing barrier in cartridges

APPLICATIONS



PRODUCT BY RANGE

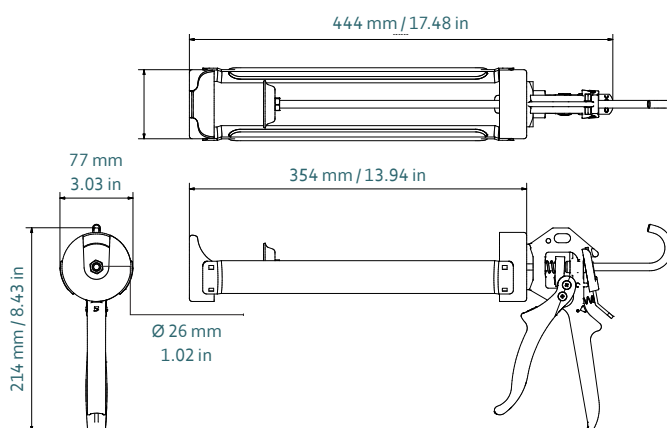


THE POWERFLOW HP QUART 1-COMPONENT MANUAL DISPENSER IS DESIGNED FOR USE WITH LOW TO HIGH VISCOSITY SEALANTS AND ADHESIVES WHILE THE SWITCHABLE PRESSURE RELIEF DEVICE (PRD) PREVENTS RUN-ON.

SPECIFICATIONS

- Weight: 1.47 kg / 2.5 lbs
- Frame Length: 354 mm / 13.94 in
- Maximum Thrust: 3.5 kN
- Pressure Relief Device (PRD)
- Handle Material: Epoxy Coated Aluminum
- Frame Material: Epoxy Coated Steel
- Cartridge Capacity: 946 mL (32 oz)
- Mechanical Advantage Ratio: (18:1)
- Standard Color: Blue/Black
- Nozzle Dimension: Ø 26 mm / 1.02 in
- Customized versions on demand

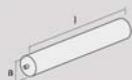
DIMENSIONS



Product	Article number	Packaging
HP Quart Cartridge	41002-XT (US)	3 per Box

MATCHING MIXPAC™ CARTRIDGES

COMPATIBLE CARTRIDGES



Plastic Cartridge-Quart
946 mL

	mm	inch
l	320	12.6
a	Ø 67.0	Ø 2.6

CONVERSION KITS

MATCHING ACCESSORIES

ULTRAFLOW™ CARTRIDGE

310 ML CARTRIDGE DISPENSER



Model shown: UltraFlow Cartridge 310 mL

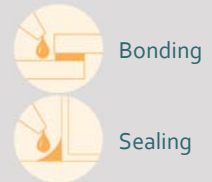
FEATURES

- Epoxy coated aluminum handle
- Anodized steel rotating frame
- Built in cartridge support straps
- Curved rod end
- Hardened and metal plated parts

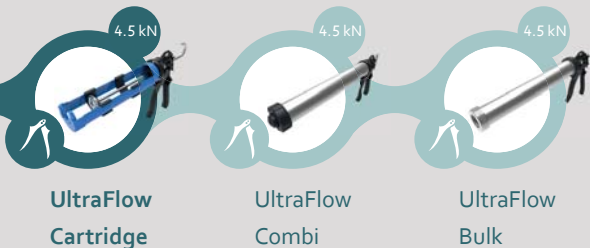
BENEFITS

- Designed to accommodate high load requirements with ease
- Helps securely position and retain the cartridge
- Creates convenient tool support and storage
- Increases corrosion resistance

APPLICATIONS



PRODUCT BY RANGE

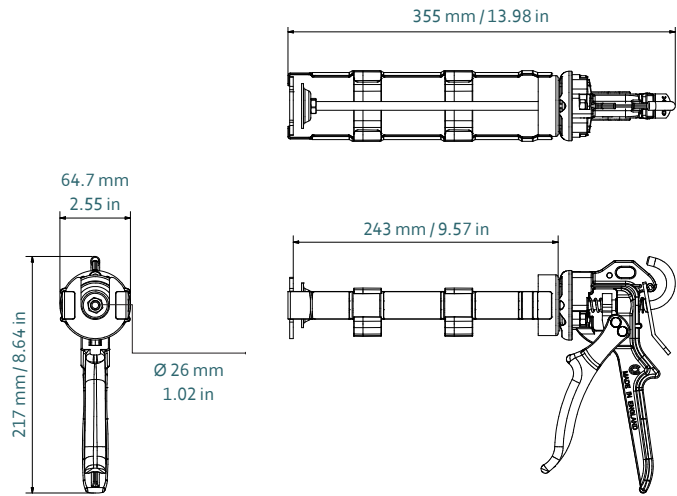


THE ULTRAFLOW 1-COMPONENT MANUAL IS A HIGHPOWERED RELIABLE DISPENSER WITH ROTATING U-OPENING ANODIZED STEEL FRAME THAT COPESES EASILY WITH HIGH FORCES.

SPECIFICATIONS

- Weight: 0.90 kg / 1.34 lbs
- Frame Length: 243 mm / 9.57 in
- Maximum Thrust: 4.5 kN
- Handle Material: Epoxy Coated Aluminum
- Frame Material: Anodized Steel
- Cartridge Capacity: 310 mL (10.5 oz)
- Mechanical Advantage Ratio: (25:1)
- Standard Color: Blue/Black
- Nozzle Dimension: Ø 26 mm / 1.02 in
- Customized versions on demand

DIMENSIONS

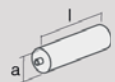


Product	Article number	Packaging
DM1C 310-ca-r25-001	163534 (41004-2T for US)	10 per Box (6 per Box for US)

MATCHING MIXPAC™ CARTRIDGES

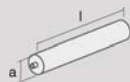


COMPATIBLE CARTRIDGES



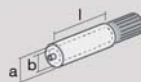
Plastic Cartridge
150 mL HPDE/PA

	mm	inch
l	124.5	4.9
a	Ø 48.7	Ø 1.9



Plastic Cartridge
310 mL HPDE/PP/PA

	mm	inch
l	216.0	8.5
a	Ø 48.2	Ø 1.8



Plastic Cartridge
150 mL 1:1, 2:1, 10:1 PP

	mm	inch
l	117	4.6
a	Ø 50.0	Ø 1.9
1:1 b	Ø 32.0	Ø 1.2
2:1 b	Ø 26.0	Ø 1.0
10:1 b	Ø 14.3	Ø 0.5

CONVERSION KITS

–

MATCHING ACCESSORIES

Nozzle extension / twisty nozzle on pages 98–102.

ULTRAFLOW™ COMBI

310–600 ML CARTRIDGE & SACHET DISPENSER



Model shown: UltraFlow Combi 600 mL

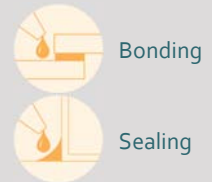
FEATURES

- Epoxy coated aluminum handle
- Large sintered metal catch plate
- Anodized aluminum barrel
- T rod end
- Metal wear compensation sleeve

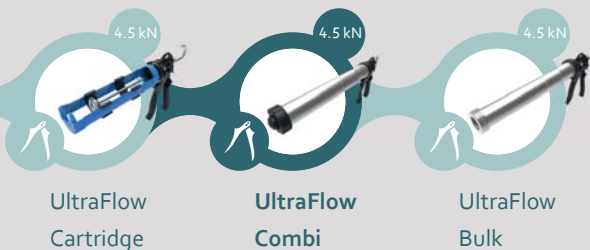
BENEFITS

- Powerful 25:1 trigger ratio for easy application
- Offers high load resistance
- Copes easily with high forces
- Better grip when retracting plunger
- Protects catch plate contact area increasing tool life

APPLICATIONS



PRODUCT BY RANGE



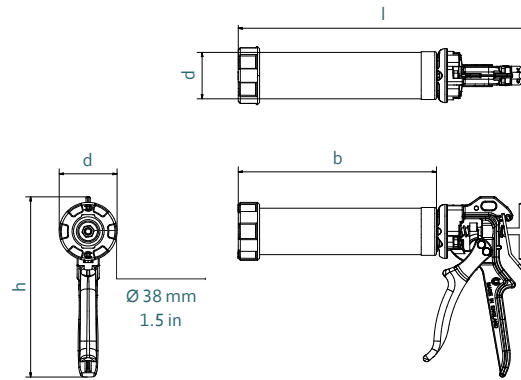
THE ULTRAFLOW COMBI 1-COMPONENT MANUAL DISPENSER IS DESIGNED FOR USE WITH MEDIUM TO HIGH VISCOSITY SEALANTS AND ADHESIVES COMPATIBLE WITH BOTH CARTRIDGES AND SACHETS FOR COMPLETE FLEXIBILITY.

SPECIFICATIONS

- Weight: 1.0–1.1 kg / 2.2–2.5 lbs
- Barrel Length: 342–482 mm / 13.5–19.0 in
- Maximum Thrust: 4.5 kN
- Handle Material: Epoxy Coated Aluminum
- Barrel Material: Anodized Aluminum
- Cartridge Capacity: 310 mL (10.5 oz), 400 mL (13.5 oz)
- Sachet Capacity: 310 mL (10.5 oz), 400 mL (13.5 oz), 600 mL (20.3 oz)
- Mechanical Advantage Ratio: (25:1)
- Standard Color: Black/Grey
- Nozzle Dimension: Ø 38 mm / 1.5 in
- Customized versions on demand

DIMENSIONS (MM/IN)

product	height (h)	length (l)	depth (d)	barrel (b)
Combi 310	213 / 8.4	342 / 13.5	69 / 2.7	235 / 9.3
Combi 400	213 / 8.4	389 / 15.3	69 / 2.7	285 / 11.2
Combi 600	213 / 8.4	482 / 19.0	69 / 2.7	376 / 14.8



Product	Article number	Packaging
DM1C 310-cm-r25-001	167248 (51000-2T for US)	10 per Box (1 per Box for US)
DM1C 400-cm-r25-001	178135	10 per Box
DM1C 600-cm-r25-001	178141 (51001-2T for US)	10 per Box (1 per Box for US)

MATCHING MIXPAC™ CARTRIDGES



COMPATIBLE CARTRIDGES AND SACHETS

	mm	inch	mm	inch	mm	inch	mm	inch	mm	inch	mm	inch						
Plastic Cartridge 310 mL HPDE/PP/PA	l	216.0	8.5	l	220.0	8.66	l	256.0	10.1	l	258.0	10.16	l	335.0	13.2	l	117	4.6
Sachet 310 mL	a	Ø 48.2	Ø 1.8	a	Ø 50.0	Ø 1.97	a	Ø 49.0	Ø 1.9	a	Ø 50.0	Ø 1.97	a	Ø 50.0	Ø 2.0	a	Ø 50.0	Ø 1.9
Plastic Cartridge 400 mL HPDE/PA													1:1	b	Ø 32.0	Ø 1.2		
Sachet 400 mL													2:1	b	Ø 26.0	Ø 1.0		
Sachet 600 mL													10:1	b	Ø 14.3	Ø 0.5		

CONVERSION KITS

G2 Bulk Plunger

MATCHING ACCESSORIES

White Cone / Yellow Cone / Orange Cone
on pages 98–102.

ULTRAFLOW™ BULK

600/1000 ML DISPENSER



Model shown: UltraFlow Bulk 600 mL

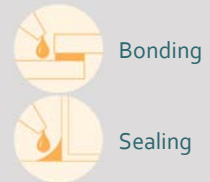
FEATURES

- Ergonomically formed epoxy coated aluminum handle
- Large sintered metal catch plate
- Metal wear compensation sleeve
- Comes with leather plunger

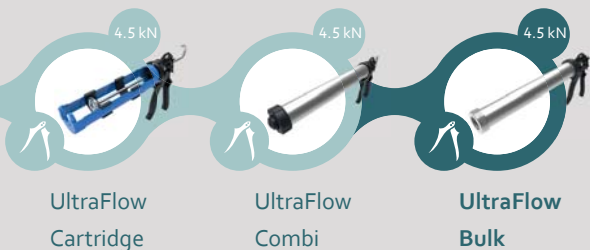
BENEFITS

- Powerful 25:1 trigger ratio for easy application
- Offers high load resistance
- Protects the catch plate contact area increasing tool life
- Chemical and solvent resistant

APPLICATIONS



PRODUCT BY RANGE



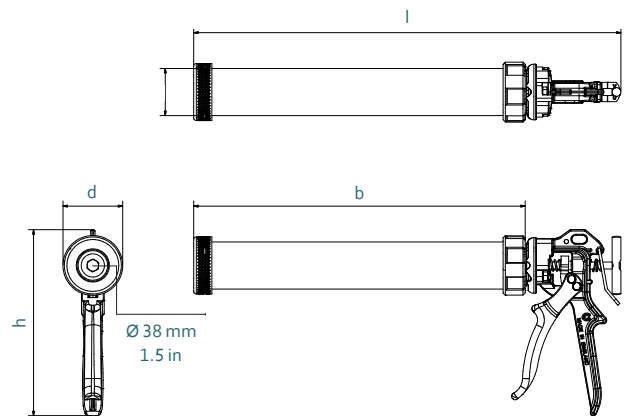
THE ULTRAFLOW BULK 1-COMPONENT MANUAL DISPENSER WITH ANODIZED ALUMIUM BARREL THAT COPESES EASILY WITH HIGH FORCES. THE LEATHER PLUNGER ASSEMBLY IS BOTH CHEMICAL AND SOLVENT RESISTANT.

SPECIFICATIONS

- Weight: 1.1–1.3 kg / 2.4–2.9 lbs
- Barrel Length: 380–537 mm / 15–21.1 in
- Maximum Thrust: 4.5 kN
- Handle Material: Epoxy Coated Aluminum
- Barrel Material: Anodized Aluminum
- Bulk Material Capacity: 600 mL (20.3 oz), 1000 mL (33.8 oz)
- Mechanical Advantage Ratio: (25:1)
- Standard Color: Black/Grey
- Nozzle Dimension: Ø 38 mm / 1.5 in
- Customized versions on demand

DIMENSIONS (MM/IN)

product	height (h)	length (l)	depth (d)	barrel (b)
Bulk 600	213 / 8.4	490 / 19.3	69 / 2.7	380 / 9.3
Bulk 1000	213 / 8.4	650 / 25.6	69 / 2.7	537 / 21.1



Product	Article number	Packaging
DM1C 600-bu-r25-001	178286 (51002-600 for US)	1 per Box
DM1C 1000-bu-r25-001	178291 (51002-1000 for US)	1 per Box

MATCHING MIXPAC™ CARTRIDGES

COMPATIBLE CARTRIDGES



CONVERSION KITS

MATCHING ACCESSORIES

Ladder Hook Kit / White Cone / Yellow Cone on pages 98–102.

ULTRAPPOINT™ BULK 800 ML DISPENSER



Model shown: Ultrapoint 800 mL

FEATURES

- High thrust trigger mechanism with contoured grips
- Choice of nozzles for pointing or grouting
- Epoxy coated steel frame
- Rubber plunger
- Switchable Pressure Relief Device (PRD)

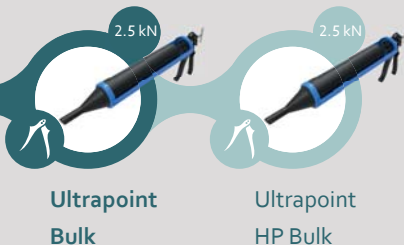
BENEFITS

- Provides easier dispensing
- Easy to use and simple maintenance
- For strength, durability and corrosion resistance
- Allows for wear take-up and optimum barrel fit
- Prevents material run-on (US only)

APPLICATIONS



PRODUCT BY RANGE

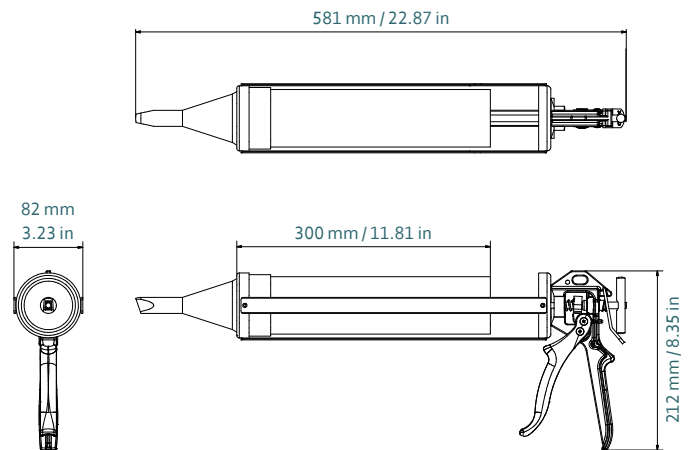


THE ULTRAPPOINT 1-COMPONENT MANUAL DISPENSER IS DESIGNED WITH HIGH THRUST TRIGGER MECHANISM FOR EASY DISPENSING WITH A CHOICE OF NOZZLES FOR POINTING AND GROUTING.

SPECIFICATIONS

- Weight 1.42 kg / 3.13 lbs
- Barrel Length: 300 mm / 11.81 in
- Maximum Thrust: 2.5 kN
- Handle Material: Epoxy Coated Aluminum
- Barrel Material: Black PVC
- Bulk Material Capacity: 800 mL (28 oz)
- Mechanical Advantage Ratio: (12:1)
- Standard Color: Blue/Black
- Customized versions on demand

DIMENSIONS



Product	Article number	Packaging
DM1C 800-bu-r12-001	159215 (41006 for US)	1 per Box

MATCHING MIXPAC™ CARTRIDGES

COMPATIBLE OTHER



CONVERSION KITS

MATCHING ACCESSORIES

Grouting/pointing nozzle, dispenser tube, turbine mixer on pages 98–102.

ULTRAPOINT™ HP BULK

800 ML DISPENSER



Model shown: Ultrapoint 800 mL

FEATURES

- High thrust trigger mechanism with contoured grips
- Choice of nozzles for pointing or grouting
- Epoxy coated steel frame
- Rubber plunger
- Switchable Pressure Relief Device (PRD)

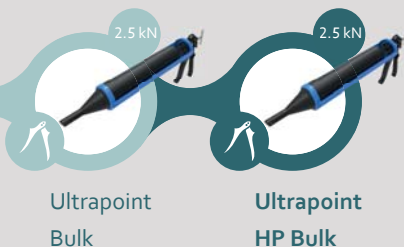
BENEFITS

- Provides easier dispensing
- Easy to use and simple maintenance
- For strength, durability and corrosion resistance
- Allows for wear take-up and optimum barrel fit
- Prevents material run-on (US only)

APPLICATIONS



PRODUCT BY RANGE

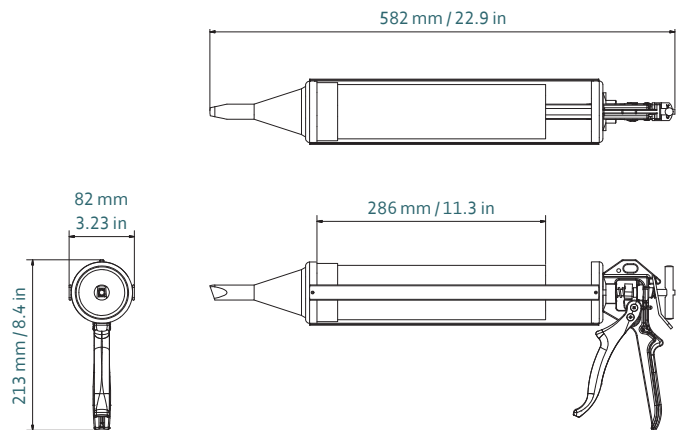


THE ULTRAPPOINT 1-COMPONENT BULK DISPENSER IS DESIGNED FOR USE WITH MEDIUM TO HIGH VISCOSITY SEALANTS AND ADHESIVES WHILE THE RUBBER PLUNGER ALLOWS WEAR TAKE-UP AND OPTIMUM BARREL FIT.

SPECIFICATIONS

- Weight 1.42 kg / 3.13 lbs
- Barrel Length: 300 mm / 11.81 in
- Maximum Thrust: 3.5 kN
- Handle Material: Epoxy Coated Aluminum
- Barrel Material: Black PVC
- Bulk Material Capacity: 800 mL (28 oz)
- Mechanical Advantage Ratio: (18:1)
- Standard Color: Blue/Black
- Customized versions on demand

DIMENSIONS



Product	Article number	Packaging
DM1C 800-bu-r18-001	177276	1 per Box

MATCHING MIXPAC™ CARTRIDGES

COMPATIBLE OTHER



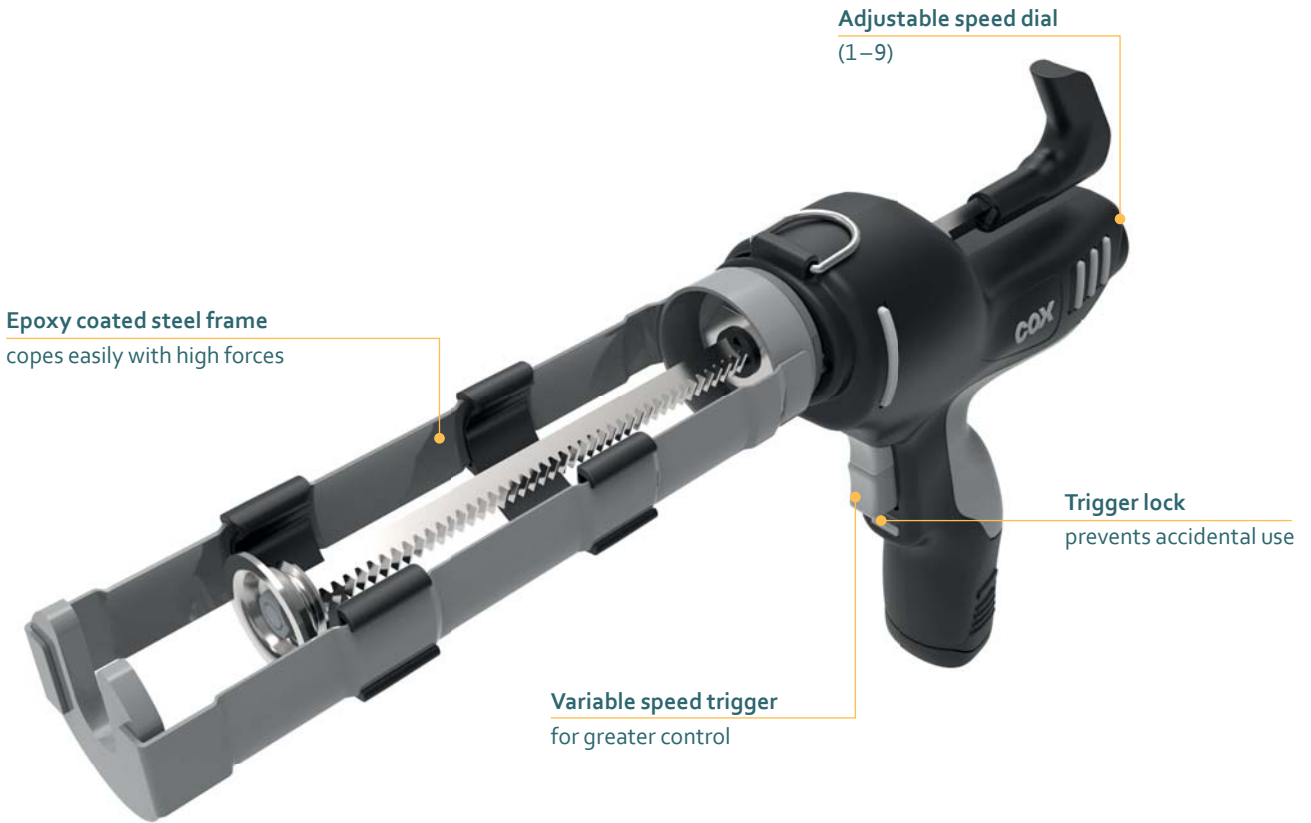
CONVERSION KITS

MATCHING ACCESSORIES

Grouting/pointing nozzle, dispenser tube, turbine mixer on pages 98-102.

EASIPOWER™ PLUS

310 ML CARTRIDGE DISPENSER



Model shown: EasiPower Plus Cartridge 310 mL

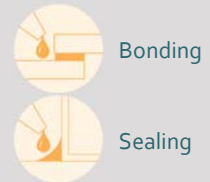
FEATURES

- Variable speed trigger
- Epoxy coated steel frame
- Rapid battery charge
- Auto-reverse function

BENEFITS

- For greater speed control during dispensing
- Copes easily with high forces
- 30 min (0–100%) – no memory loss
- Stops material flow when trigger is released

APPLICATIONS



PRODUCT BY RANGE

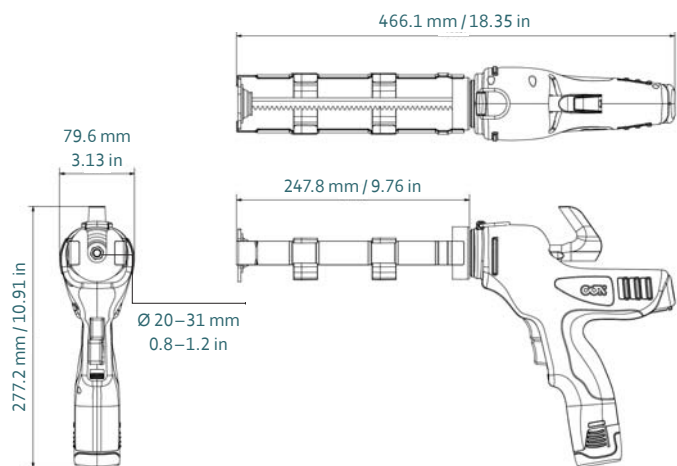


THE EASIPOWER 1-COMPONENT BATTERY DISPENSERS VARIABLE SPEED TRIGGER OFFERS GREATER CONTROL DURING DISPENSING WHILE THE AUTO REVERSE FUNTION WILL STOP MATERIAL FLOW WHEN THE TRIGGER IS RELEASED.

SPECIFICATIONS

- Weight with Battery: 1.63 kg / 3.5 lbs
- Frame Length: 247.8 mm / 9.76 in
- Maximum Thrust: 2.5 kN
- Voltage: 10.8 V
- Battery Capacity: 1.5 Ah
- Battery Charge Time: 30 min.
- Battery Type: Li-ion
- Handle Material: PC/ABS
- Frame Material: Epoxy Coated Steel
- Cartridge Capacity: 310 mL (10.5 oz), 400 mL (13.5 oz)
- Standard Color: Black/Grey
- Nozzle Dimension: Ø 20–31 mm / 0.8–1.2 in
- Customized versions on demand

DIMENSIONS



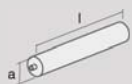
Product	Article number	Packaging
DB1C 310-ca-250-101	160373 (EU)	1 per Box
DB1C 310-ca-250-1UK	181105 (UK)	1 per Box
	83010-L (US)	1 per Box

MATCHING MIXPAC™ CARTRIDGES



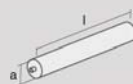
Peeler Cartridge

COMPATIBLE CARTRIDGES



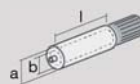
Plastic Cartridge
310 mL HPDE/PP/PA

	mm	inch
l	216.0	8.5
a	Ø 48.2	Ø 1.8



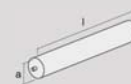
Plastic Cartridge
400 mL HPDE/PA

	mm	inch
l	256.0	10.1
a	Ø 49.0	Ø 1.9



Plastic Cartridge
150 mL 1:1, 2:1, 10:1 PP

	mm	inch
l	117	4.6
a	Ø 50.0	Ø 1.9
1:1 b	Ø 32.0	Ø 1.2
2:1 b	Ø 26.0	Ø 1.0
10:1 b	Ø 14.3	Ø 0.5



Plastic Cartridge-Quart
946 mL

	mm	inch
l	320	12.6
a	Ø 67.0	Ø 2.6

CONVERSION KITS

–

MATCHING ACCESSORIES

Universal battery charger / Battery on pages 98–102.

EASIPOWER™ PLUS COMBI

400–600 ML CARTRIDGE & SACHET DISPENSER



Model shown: EasiPower Plus Combi 400 mL

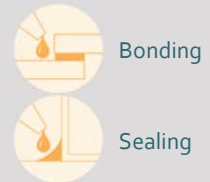
FEATURES

- Variable speed trigger
- Anodized aluminum frame
- Rapid battery charge
- Auto-reverse function

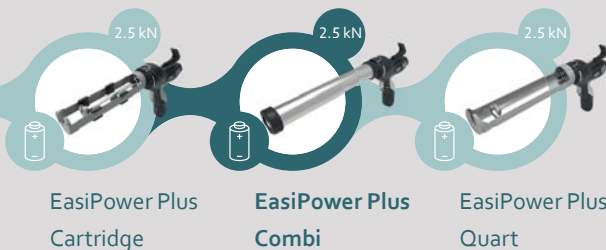
BENEFITS

- For greater speed control during dispensing
- Copes easily with high forces
- 30 min (0–100%) – no memory loss
- Stops material flow when trigger is released

APPLICATIONS



PRODUCT BY RANGE



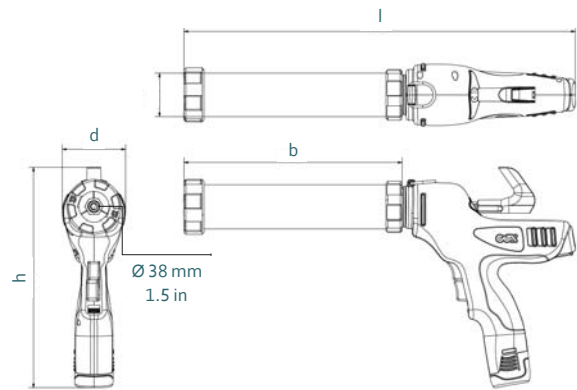
THE EASIPOWER COMBI 1-COMPONENT BATTERY DISPENSER IS COMPATIBLE WITH BOTH CARTRIDGES AND SACHETS FOR COMPLETE FLEXIBILITY, THE VARIABLE SPEED TRIGGER OFFERS GREATER CONTROL DURING DISPENSING.

SPECIFICATIONS

- Weight with Battery: 1.7–1.86 kg / 3.64–4.1 lbs
- Barrel Length: 237–383 mm / 9.3 in–15.1 in
- Maximum Thrust: 2.5 kN
- Voltage: 10.8 V
- Battery Capacity: 1.5 Ah
- Battery Charge Time: 30 min.
- Battery Type: Li-ion
- Handle Material: PC/ABS
- Barrel Material: Anodized Aluminum
- Cartridge Capacity: 310 mL (10.5 oz), 400 mL (13.5 oz)
- Sachet Capacity: 310 mL (10.5 oz), 400 mL (13.5 oz), 600 mL (20.3 oz)
- Standard Color: Black/Grey
- Nozzle Dimension: Ø 38 mm / 1.5 in
- Customized versions on demand

DIMENSIONS (MM/IN)

product	height (h)	length (l)	depth (d)	barrel (b)
Combi 400	277 / 10.9	492 / 20.4	80 / 3.1	275 / 10.8
Combi 600	277 / 10.9	600 / 23.6	80 / 3.1	383 / 15.1



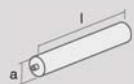
Product	Article number	Packaging
DB1C 400-cm-250-101 / DB1C 400-cm-250-1UK	160375 (EU), 181110 (UK)	1 per Box
DB1C 600-cm-250-101 / DB1C 600-cm-250-1UK	160376 (EU), 181115 (UK), 83600-L (US)	1 per Box

MATCHING MIXPAC™ CARTRIDGES

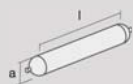


Peeler Cartridge

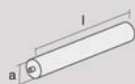
COMPATIBLE CARTRIDGES AND SACHETS



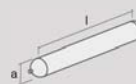
Plastic Cartridge
310 mL HPDE/PP/PA



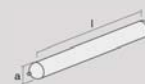
Sachet
310 mL



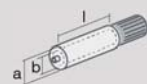
Plastic Cartridge
400 mL HPDE/PA



Sachet
400 mL



Sachet
600 mL



Plastic Cartridge
150 mL 1:1, 2:1, 10:1 PP

	mm	inch	mm	inch	mm	inch	mm	inch	mm	inch	mm	inch	
l	216.0	8.5	220.0	8.66	256.0	10.1	258.0	10.16	335.0	13.2	117	4.6	
a	Ø 48.2	Ø 1.8	Ø 50.0	Ø 1.97	Ø 49.0	Ø 1.9	Ø 50.0	Ø 1.97	Ø 50.0	Ø 2.0	Ø 50.0	Ø 1.9	
											1:1 b	Ø 32.0	Ø 1.2
											2:1 b	Ø 26.0	Ø 1.0
											10:1 b	Ø 14.3	Ø 0.5

CONVERSION KITS

–

MATCHING ACCESSORIES

White cone / Yellow cone / Universal battery charger /
Battery on pages 98–102.

EASIPOWER™ PLUS QUART

946 ML CARTRIDGE DISPENSER



Model shown: EasiPower Plus Quart 946 mL

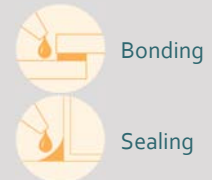
FEATURES

- Variable speed trigger
- Epoxy coated steel frame
- Includes battery & charger
- Rapid battery charge
- Auto-reverse function

BENEFITS

- For greater speed control during dispensing
- Copes easily with high forces
- Ready to use
- 30 min (0–100%) – no memory loss
- Stops material flow when trigger is released

APPLICATIONS



PRODUCT BY RANGE

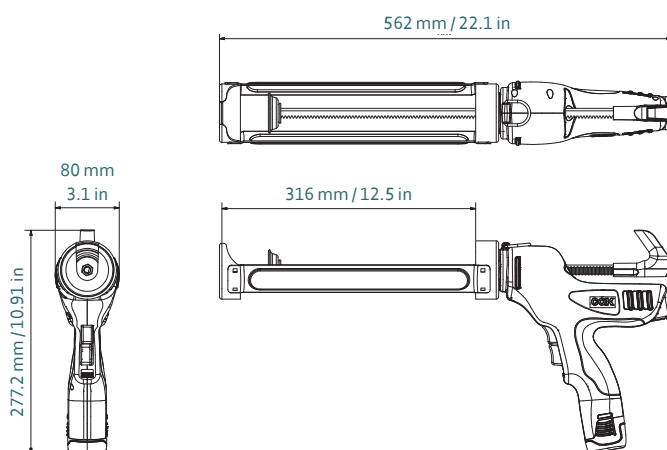


THE EASIPOWER PLUS QUART 1-COMPONENT BATTERY DISPENSERS AUTO REVERSE FUNCTION STOPS MATERIAL FLOW WHEN TRIGGER IS RELEASED GIVING YOU PRECISE CONTROL AND SMOOTH MATERIAL FLOW.

SPECIFICATIONS

- Weight with Battery: 1.63 kg / 3.5 lbs
- Barrel Length: 347 mm / 13.66 in
- Maximum Thrust: 2.5 kN
- Voltage: 10.8 V
- Battery Capacity: 1.5 Ah
- Battery Charge Time: 30 min.
- Battery Type: Li-ion
- Handle Material: PC/ABS
- Barrel Material: Anodized Aluminum
- Cartridge Capacity: 946 mL (29 oz)
- Standard Color: Black/Grey
- Nozzle Dimension: Ø 38 mm / 1.5 in
- Customized versions on demand

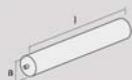
DIMENSIONS



Product	Article number	Packaging
	83029-L	

MATCHING MIXPAC™ CARTRIDGES

COMPATIBLE CARTRIDGES AND SACHETS



Plastic Cartridge-Quart
946 mL

	mm	inch
l	320	12.6
a	Ø 67.0	Ø 2.6

CONVERSION KITS

—

MATCHING ACCESSORIES

White cone / Yellow cone / Universal battery charger / Battery on pages 98–102.

ELECTRAFLOW™ PLUS

310 ML CARTRIDGE DISPENSER



Model shown: ElectraFlow Plus Cartridge 310 mL

FEATURES

- Rechargeable Bosch Professional 18 V System
- Variable speed trigger
- Epoxy coated steel frame
- Overload shut off function
- Auto-reverse function

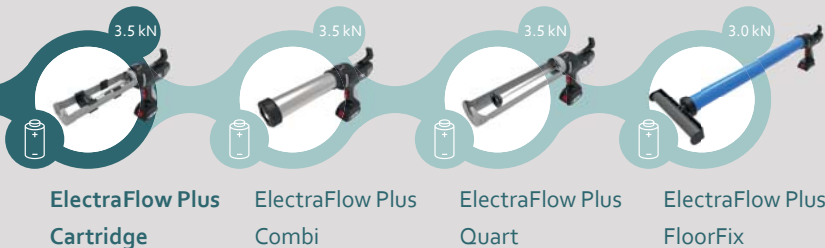
BENEFITS

- More capacity equals longer usage between charges
- For greater speed control during dispensing
- Copes easily with high forces
- Prevents damage to the tool and cartridge
- Stops material flow when trigger is released

APPLICATIONS



PRODUCT BY RANGE



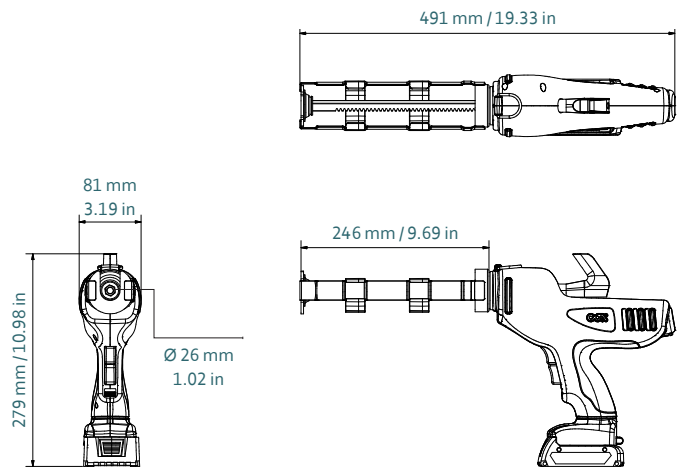
* PROFESSIONAL 18 V SYSTEM is a trademark registered and/or owned by BOSCH.

THE ELECTRAFLOW PLUS 1-COMPONENT BATTERY DISPENSER IS DESIGNED FOR USE WITH MEDIUM TO HIGH VISCOSITY SEALANTS AND ADHESIVES WHILE THE BOSCH PROFESSIONAL 18 V SYSTEM OFFERS MORE CAPACITY GIVING YOU LONGER USAGE BETWEEN CHARGES.

SPECIFICATIONS

- Weight with Battery: 2.38 kg / 5.2 lbs
- Frame Length: 246 mm / 9.69 in
- Maximum Thrust: 3.5 kN
- Voltage: 18 V
- Battery Capacity: 2.0 Ah
- Battery Charge Time: 35 min
- Battery Type: Li-ion
- Handle Material: PC/ABS
- Frame Material: Epoxy Coated Steel
- Cartridge Capacity: 310 mL (10.5 oz)
- Standard Color: Black/Grey
- Nozzle Dimension: Ø 26 mm / 1.02 in
- Customized versions on demand

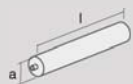
DIMENSIONS



Product	Article number	Packaging
DB1C 310-ca-350-201	167029 (bare no battery/charger) EU/UK/US battery & charger versions also available	1 per Box

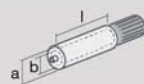
MATCHING MIXPAC™ CARTRIDGES

COMPATIBLE CARTRIDGES



Plastic Cartridge
310 mL HPDE/PP/PA

	mm	inch
l	216.0	8.5
a	Ø 48.2	Ø 1.8



Plastic Cartridge
150 mL 1:1, 2:1, 10:1 PP

	mm	inch
l	117	4.6
a	Ø 50.0	Ø 1.9
1:1 b	Ø 32.0	Ø 1.2
2:1 b	Ø 26.0	Ø 1.0
10:1 b	Ø 14.3	Ø 0.5

CONVERSION KITS

—

MATCHING ACCESSORIES

Battery charger / Battery on pages 100.

ELECTRAFLOW™ PLUS COMBI

310–600 ML CARTRIDGE & SACHET DISPENSER



Model shown: ElectraFlow Plus Combi 310 mL

FEATURES

- Rechargeable Bosch Professional 18 V System
- Variable speed trigger
- Anodized Aluminum barrel
- Rapid battery charge
- Auto-reverse function

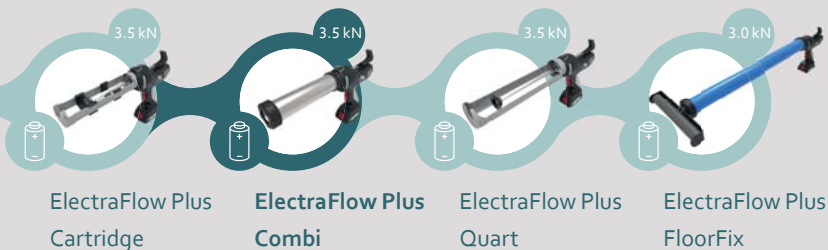
BENEFITS

- More capacity equals longer usage between charges
- For greater speed control during dispensing
- Copes easily with high forces
- 30 min (0–100%) – no memory loss
- Stops material flow when trigger is released

APPLICATIONS



PRODUCT BY RANGE



* PROFESSIONAL 18 V SYSTEM is a trademark registered and/or owned by BOSCH.

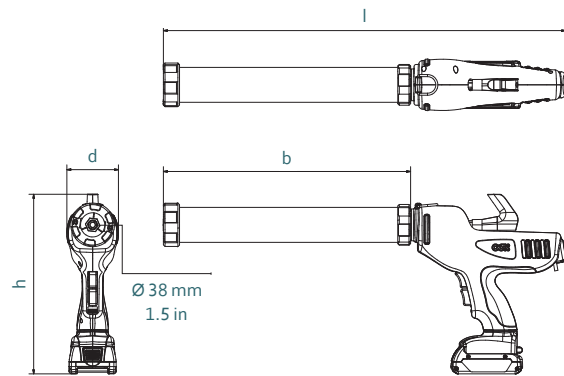
THE ELECTRAFLOW PLUS COMBI 1-COMPONENT BATTERY DISPENSERS ANODIZED ALUMINUM STEEL BARREL IS COMPATIBLE WITH BOTH CARTRIDGES AND SACHETS WHILE THE BOSCH PROFESSIONAL 18 V SYSTEM OFFERS MORE CAPACITY GIVING YOU LONGER USAGE BETWEEN CHARGES.

SPECIFICATIONS

- Weight: 1.65–2.53 kg / 3.63–5.6 lbs
- Barrel Length: 237–389 mm / 9.3–15.3 in
- Maximum Thrust: 3.5 kN
- Voltage: 18 V
- Battery Capacity: 2 Ah
- Battery Charge Time: 35 min
- Battery Type: Li-ion
- Handle Material: PC/ABS
- Barrel Material: Anodized Aluminum
- Cartridge Capacity: 310 mL (10.5 oz), 400 mL (13.5 oz)
- Sachet Capacity: 310 mL (10.5 oz), 400 mL (13.5 oz), 600 mL (20.3 oz)
- Standard Color: Black/Grey
- Nozzle Dimension: Ø 38 mm / 1.5 in
- Customized versions on demand

DIMENSIONS (MM/IN)

product	height (h)	length (l)	depth (d)	barrel (b)
Combi 310	279 / 11.0	480 / 18.9	81 / 3.2	237 / 9.3
Combi 400	278 / 10.9	518 / 20.4	81 / 3.2	275 / 10.8
Combi 600	282 / 11.1	632 / 24.9	81 / 3.2	389 / 15.3



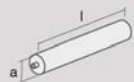
Product	Article number	Packaging
DB1C 400-cm-350-201	167063 (bare no battery/charger)	1 per Box
DB1C 600-cm-350-201	167068 (bare no battery/charger) EU/UK/US battery & charger versions also available	1 per Box

MATCHING MIXPAC™ CARTRIDGES

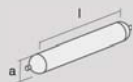


Peeler Cartridge

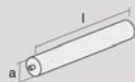
COMPATIBLE CARTRIDGES AND SACHETS



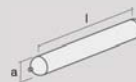
Plastic Cartridge
310 mL HPDE/PP/PA



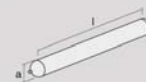
Sachet
310 mL



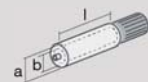
Plastic Cartridge
400 mL HPDE/PA



Sachet
400 mL



Sachet
600 mL



Plastic Cartridge
150 mL 1:1, 2:1, 10:1 PP

	mm	inch	mm	inch	mm	inch	mm	inch	mm	inch	mm	inch	
l	216.0	8.5	220.0	8.66	256.0	10.1	258.0	10.16	335.0	13.2	117	4.6	
a	Ø 48.2	Ø 1.8	Ø 50.0	Ø 1.97	Ø 49.0	Ø 1.9	Ø 50.0	Ø 1.97	Ø 50.0	Ø 2.0	Ø 50.0	Ø 1.9	
											1:1 b	Ø 32.0	Ø 1.2
											2:1 b	Ø 26.0	Ø 1.0
											10:1 b	Ø 14.3	Ø 0.5

CONVERSION KITS

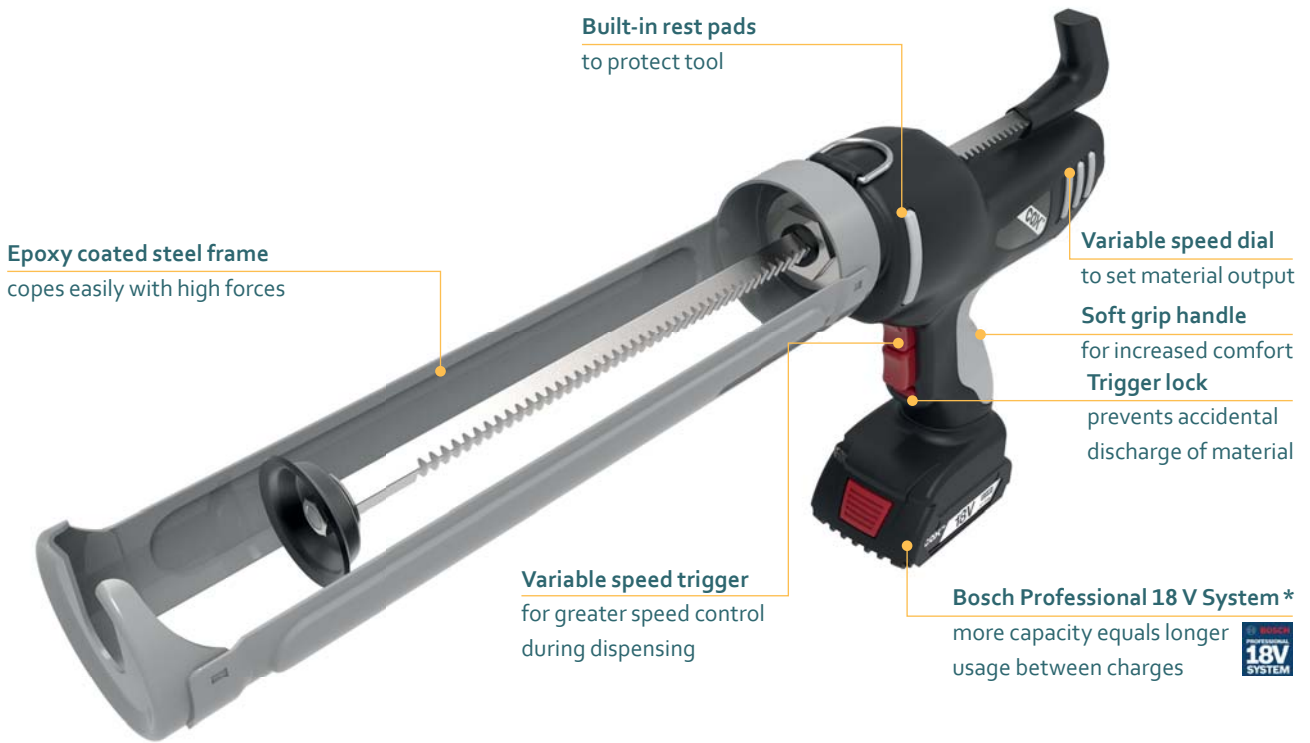
Peeler Front Cap

MATCHING ACCESSORIES

White cone / Yellow cone / Battery charger /
Battery on pages 101.

ELECTRAFLOW™ PLUS QUART

946 ML CARTRIDGE DISPENSER



Model shown: ElectraFlow Plus Quart 946 mL

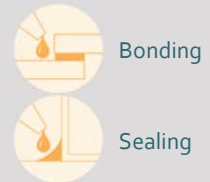
FEATURES

- Rechargeable Bosch Professional 18 V System
- Variable speed trigger
- Epoxy coated steel frame
- Rapid battery charge
- Auto-reverse function

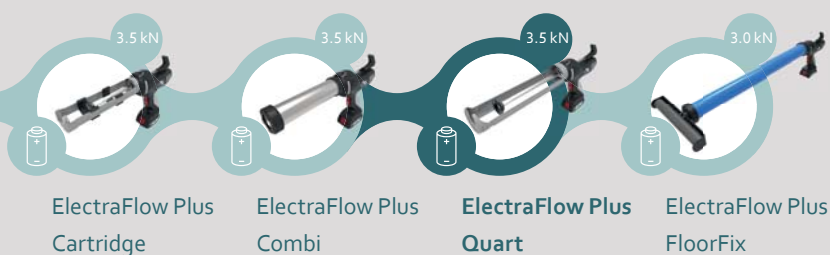
BENEFITS

- More capacity equals longer usage between charges
- For greater speed control during dispensing
- Copes easily with high forces
- 30 min (0–100%) – no memory loss
- Stops material flow when trigger is released

APPLICATIONS



PRODUCT BY RANGE



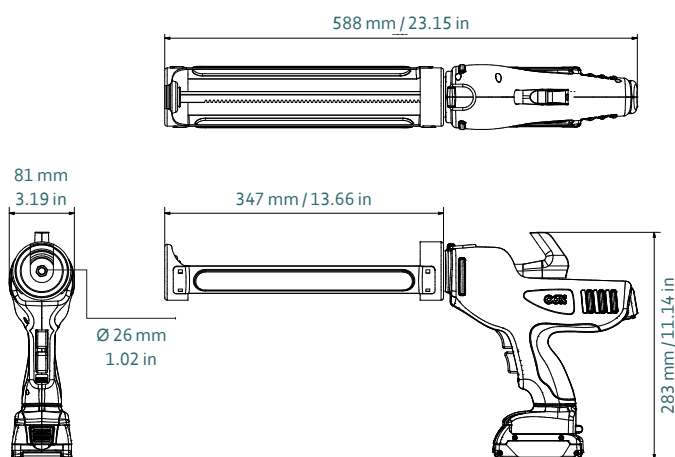
* PROFESSIONAL 18 V SYSTEM is a trademark registered and/or owned by BOSCH.

THE ELECTRAFLOW PLUS QUART 1-COMPONENT BATTERY DISPENSERS BOSCH PROFESSIONAL 18 V SYSTEM OFFERS MORE CAPACITY GIVING YOU LONGER USAGE BETWEEN CHARGES AND RAPID BATTERY RECHARGE.

SPECIFICATIONS

- Weight with Battery: 2.65 kg / 5.8 lbs
- Frame Length: 347 mm / 13.66 in
- Maximum Thrust: 3.5 kN
- Voltage: 18 V
- Battery Capacity: 2 Ah
- Battery Charge Time: 35 min
- Battery Type: Li-ion
- Handle Material: PC/ABS
- Frame Material: Epoxy Coated Steel
- Cartridge Capacity: 946 mL (32 oz)
- Standard Color: Black/Grey
- Nozzle Dimension: Ø 26 mm / 1.02 in
- Customized versions on demand

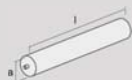
DIMENSIONS



Product	Article number	Packaging
Quart 946	83029 (US)	1 per box

MATCHING MIXPAC™ CARTRIDGES

COMPATIBLE CARTRIDGES



Plastic Cartridge-Quart
946 mL

	mm	inch
l	320	12.6
a	Ø 67.0	Ø 2.6

CONVERSION KITS

MATCHING ACCESSORIES

Battery charger / Battery on pages 101.

ELECTRAFLOW™ PLUS FLOORFIX 1800 ML SACHET DISPENSER



Model shown: ElectraFlow Plus FloorFix 1800 mL

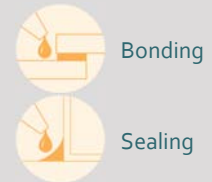
FEATURES

- Rechargeable Bosch Professional 18V System
- Speed sensitive trigger
- Auto-reverse function
- Variable spreader tubes
- No cleaning required

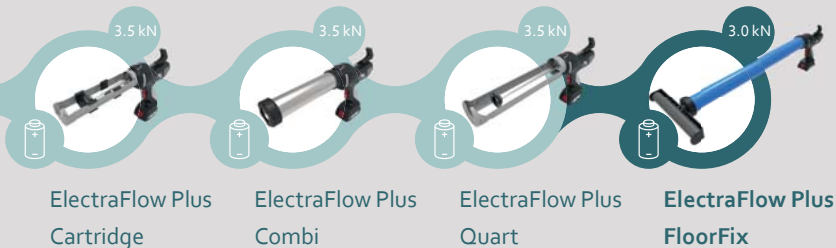
BENEFITS

- More capacity equals longer usage between charges
- Maintains an even application of materials
- Stops material flow when trigger is released
- Head widths – 190 mm, 300 mm and 400 mm
- Disposable spreader tubes for greater productivity

APPLICATIONS



PRODUCT BY RANGE



ElectraFlow Plus
Cartridge

ElectraFlow Plus
Combi

ElectraFlow Plus
Quart

ElectraFlow Plus
FloorFix

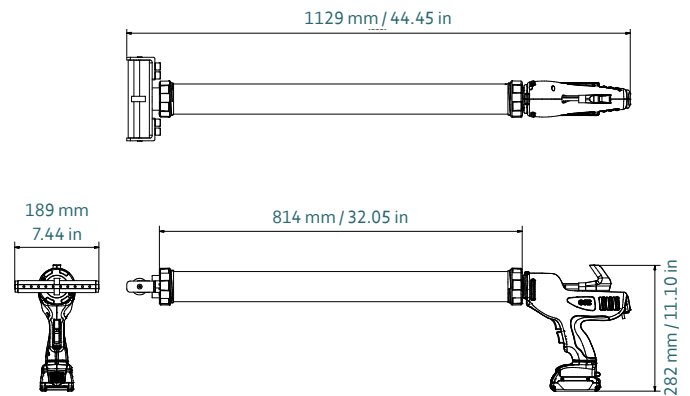
* PROFESSIONAL 18 V SYSTEM is a trademark registered and/or owned by BOSCH.

THE ELECTRAFLOW FLOORFIX 1-COMPONENT BATTERY FLOOR DISPENSER WITH BESPOKE BARREL SIZES AND VARIOUS SPREADER HEADS WILL REVOLUTIONIZE HOW YOU LAY FLOORING. WHILE THE BOSCH PROFESSIONAL 18 V SYSTEM OFFERS MORE CAPACITY AND RAPID BATTERY RECHARGE.

SPECIFICATIONS

- Weight with Battery: 4.28 kg / 9.4 lbs
- Barrel Length: 814 mm / 32.05 in
- Maximum Thrust: 3.5 kN
- Voltage: 18 V
- Battery Capacity: 2 Ah
- Battery Charge Time: 35 min
- Battery Type: Li-ion
- Handle Material: PC/ABS
- Barrel Material: Anodized Aluminum
- Barrel Diameter: 63 mm / 2.48 in
- Sachet Capacity: 1800 mL (60.9 oz)
- Standard Color: Blue/Black
- Customized versions on demand

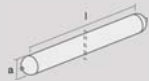
DIMENSIONS



Product	Article number	Packaging
DB1C 63mm-fl-350-201	181093 (bare no battery/charger/spreader head) EU/UK/US battery & charger versions also available	1 per box

MATCHING MIXPAC™ CARTRIDGES

COMPATIBLE SACHETS



Sachet
1800 mL

	mm	inch
a	880.0	34.65
b	Ø 63.0	Ø 2.48

CONVERSION KITS

MATCHING ACCESSORIES

Battery charger / Battery / Spreader tubes /
Spreader heads/ Brackets on pages 101.

AIRFLOW™ 1 CARTRIDGE

310 ML CARTRIDGE DISPENSER



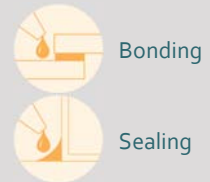
FEATURES

- Epoxy coated aluminum handle
- Variable speed regulator
- 6.8 bar (100 psi) regulator
- Direct acting mechanism
- Lightweight and compact

BENEFITS

- Ergonomically designed for comfort
- Minimizes flow-on
- Fitted as standard – others are available
- For precise control, smooth material flow
- Minimizes waste of material

APPLICATIONS



PRODUCT BY RANGE

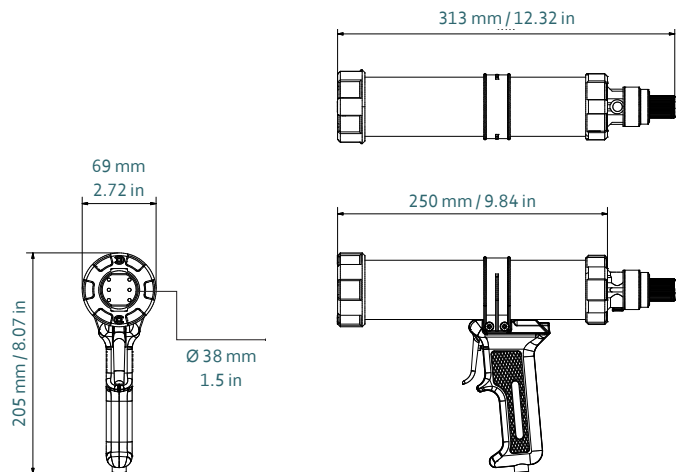


THE AIRFLOW 1 CARTRIDGE 1-COMPONENT PNEUMATIC DISPENSER IS LIGHTWEIGHT AND COMPACT, THE VARIABLE SPEED REGULATOR MINIMIZES FLOW-ON GIVING YOU PRECISE CONTROL AND SMOOTH MATERIAL FLOW FOR ALL YOUR APPLICATIONS.

SPECIFICATIONS

- Weight: 0.62 kg / 1.4 lbs
- Barrel Length: 250 mm / 9.84 in
- Maximum Thrust: 1.3 kN
- Maximum Pneumatic Pressure: 6.8 bar (100 psi)
- Handle Material: Epoxy Coated Aluminum
- Barrel Material: Anodized Aluminum
- Cartridge Capacity: 310 mL (10.5 oz)
- Standard Color: Black/Grey
- Nozzle Dimension: Ø 38 mm / 1.5 in
- Customized versions on demand

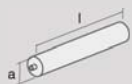
DIMENSIONS



Product	Article number	Packaging
DP1C 310-ca-130-001	177529	10 per Box

MATCHING MIXPAC™ CARTRIDGES

COMPATIBLE CARTRIDGES



Plastic Cartridge
310 mL HPDE/PP/PA

	mm	inch
l	216.0	8.5
a	Ø 48.2	Ø 1.8

CONVERSION KITS

MATCHING ACCESSORIES

Nozzles on pages 98–102.

AIRFLOW™ 1 SACHET

310–600 ML SACHET DISPENSER



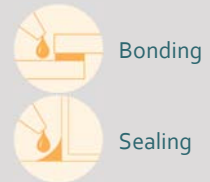
FEATURES

- Epoxy coated aluminum handle
- Quick exhaust valve
- Variable speed regulator
- 6.8 bar (100 psi) regulator
- Floating plunger, tethered piston system

BENEFITS

- Ergonomically designed for comfort
- Minimizes flow-on
- For precise control, smooth material flow
- Fitted as standard – others are available
- Minimizes waste of material

APPLICATIONS



PRODUCT BY RANGE



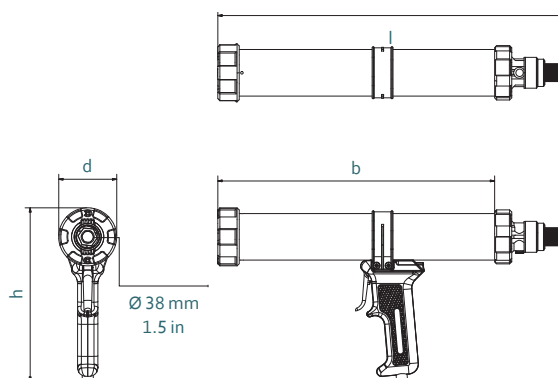
THE AIRFLOW 1 SACHET 1-COMPONENT PNEUMATIC DISPENSER IS DESIGNED FOR USE WITH LOW VISCOSITY SEALANTS AND ADHESIVES. WITH A 6.8 BAR (100 PSI) REGULATOR FITTED AS STANDARD.

SPECIFICATIONS

- Weight: 0.95–1.13 kg / 2.0–2.5 lbs
- Frame Length: 295–439 mm / 11.6–17.3 in
- Maximum Thrust: 1.45 kN
- Maximum Pneumatic Pressure: 6.8 bar (100 psi)
- Handle Material: Epoxy Coated Aluminum
- Barrel Material: Anodized Aluminum
- Sachet Capacity: 310 mL (10.5 oz), 400 mL (13.5 oz), 600 mL (20.3 oz)
- Standard Color: Black/Grey
- Nozzle Dimension: Ø 38 mm / 1.5 in
- Customized versions on demand

DIMENSIONS (MM/IN)

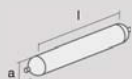
product	height (h)	length (l)	depth (d)	barrel (b)
Sachet 310	205 / 8.1	377 / 14.8	69 / 2.7	295 / 11.6
Sachet 400	205 / 8.1	409 / 16.1	69 / 2.7	327 / 12.9
Sachet 600	205 / 8.1	522 / 20.6	69 / 2.7	439 / 17.3



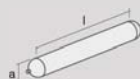
Product	Article number	Packaging
DP1C 310-sa-145-101	177551	10 per Box
DP1C 400-sa-145-101	177555	10 per Box
DP1C 600-sa-145-101	177559 (61006-600 for US)	10 per Box

MATCHING MIXPAC™ CARTRIDGES

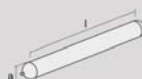
COMPATIBLE SACHETS



Sachet
310 mL



Sachet
400 mL



Sachet
600 mL

	mm	inch
l	220.0	8.66
a	Ø 50.0	Ø 1.97

	mm	inch
l	258.0	10.16
a	Ø 50.0	Ø 1.97

	mm	inch
l	335.0	13.2
a	Ø 50.0	Ø 2.0

CONVERSION KITS

MATCHING ACCESSORIES

Nozzles on pages 98–102.

AIRFLOW™ 1 COMBI

310–600 ML CARTRIDGE & SACHET DISPENSER



Anodized aluminum barrel
lightweight and long life

Variable speed regulator
for precise control
and smooth material flow

Epoxy coated aluminum handle
ergonomically designed for comfort

Regulators

Standard: 6.8 bar (100 psi)

Options available:

3.4 bar (50 psi)

5.2 bar (75 psi)

8.5 bar (125 psi)



Model shown: AirFlow 1 Combi 310 mL

FEATURES

- Epoxy coated aluminum handle
- Variable speed regulator
- Anodized aluminum barrel
- 6.8 bar (100 psi) regulator
- Piston driven rod action

BENEFITS

- Ergonomically designed for comfort
- For precise control, smooth material flow
- Lightweight and long life
- Fitted as standard – others are available
- Greater control of material flow

APPLICATIONS



Bonding



Sealing

PRODUCT BY RANGE



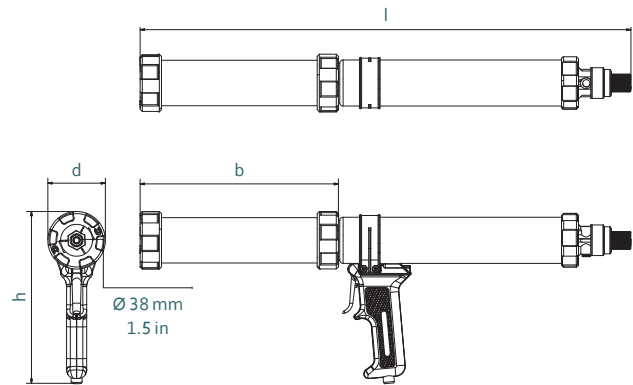
THE AIRFLOW 1 COMBI 1-COMPONENT PNEUMATIC DISPENSERS LIGHTWEIGHT ANODIZED ALUMINUM BARREL DISPENSES BOTH CARTRIDGE AND SACHETS FOR COMPLETE FLEXIBILITY.

SPECIFICATIONS

- Weight: 1.3–1.5 kg / 2.8–3.3 lbs
- Barrel Length: 236–388 mm / 9.3–15.3 in
- Maximum Thrust: 1.45 kN
- Maximum Pneumatic Pressure: 6.8 bar (100 psi)
- Handle Material: Epoxy Coated Aluminum
- Barrel Material: Anodized Aluminum
- Cartridge Capacity: 310 mL (10.5 oz), 400 mL (13.5 oz)
- Sachet Capacity: 310 mL (10.5 oz), 400 mL (13.5 oz), 600 mL (20.3 oz)
- Standard Color: Black/Grey
- Nozzle Dimension: Ø 38 mm / 1.5 in
- Customized versions on demand

DIMENSIONS (MM/IN)

product	height (h)	length (l)	depth (d)	barrel (b)
Combi 310	205 / 8.1	584 / 23.0	69 / 2.7	236 / 9.3
Combi 600	205 / 8.1	882 / 34.7	69 / 2.7	388 / 15.3



Product	Article number	Packaging
DP1C 310-cm-145-101	178083	10 per Box
DP1C 600-cm-145-101	178088	1 per Box

MATCHING MIXPAC™ CARTRIDGES



Peeler Cartridge

COMPATIBLE CARTRIDGES AND SACHETS

	mm		inch			mm		inch			mm		inch	
	l	216.0	8.5			l	220.0	8.66			l	117	4.6	
	a	Ø 48.2	Ø 1.8			a	Ø 50.0	Ø 1.97			1:1	b	Ø 32.0	Ø 1.2
	l	256.0	10.1			l	258.0	10.16			2:1	b	Ø 26.0	Ø 1.0
	a	Ø 49.0	Ø 1.9			a	Ø 50.0	Ø 1.97			10:1	b	Ø 14.3	Ø 0.5
	l	335.0	13.2			a	Ø 50.0	Ø 2.0						
	l	117	4.6											

CONVERSION KITS

–

MATCHING ACCESSORIES

Nozzles on pages 98–102.

AIRFLOW™ 1 BULK

2000/3000/4000 ML DISPENSER



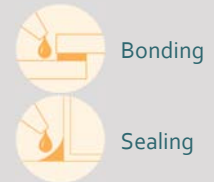
FEATURES

- Epoxy coated aluminum handle
- Variable speed regulator
- 6.8 bar (100 psi) regulator
- Steel barrel
- Tethered piston and plunger

BENEFITS

- Ergonomically designed for comfort
- For precise control, smooth material flow
- Fitted as standard – others are available
- For durable long life dispensing
- Greater control of material flow

APPLICATIONS



PRODUCT BY RANGE



THE AIRFLOW 1 BULK 1-COMPONENT PNEUMATIC DISPENSERS

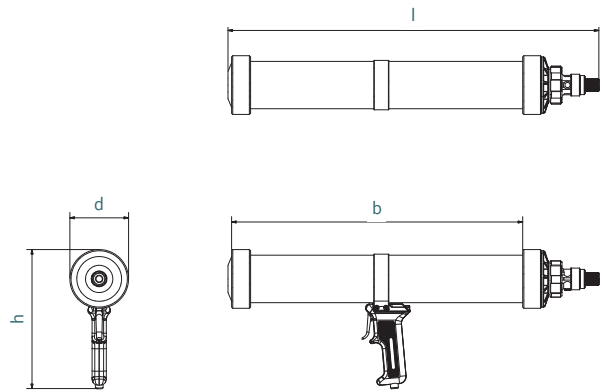
DURABLE STEEL BARREL DISPENSES 2000 ML TO 4000 ML BULK MATERIALS WITH A VARIABLE SPEED REGULATOR WHICH MINIMIZES FLOW-ON.

SPECIFICATIONS

- Weight: 1.3–1.5 kg / 2.8–3.3 lbs
- Barrel Length: 491–900 mm / 19.3–35.4 in
- Maximum Thrust: 3.4 kN
- Maximum Pneumatic Pressure: 6.8 bar (100 psi)
- Handle Material: Epoxy Coated Aluminum
- Barrel Material: Steel
- Bulk Material Feed: 2000 mL (67.2 oz), 3000 mL (101.4 oz), 4000 mL (135.3 oz)
- Standard Color: Black/Grey
- Customized versions on demand

DIMENSIONS (MM/IN)

product	height (h)	length (l)	depth (d)	barrel (b)
2000 mL Short	234 / 9.2	625 / 24.6	99 / 3.9	491 / 19.3
3000 mL Short	234 / 9.2	882 / 34.7	99 / 3.9	748 / 29.4
4000 mL Short	234 / 9.2	1035 / 40.7	99 / 3.9	900 / 35.4



Product	Article number	Packaging
DP1C 2000-bu-340-101	178022	1 per Box
DP1C 3000-bu-340-101	178023	1 per Box
DP1C 4000-bu-340-101	178025	1 per Box

MATCHING MIXPAC™ CARTRIDGES

COMPATIBLE OTHER



CONVERSION KITS

MATCHING ACCESSORIES

Nozzles on pages 98–102.

AIRFLOW™ 1 HP COMBI

310–600 ML CARTRIDGE & SACHET DISPENSER



Variable speed regulator
for precise control and smooth material flow

Anodized aluminum barrel
for long life dispensing

Epoxy coated aluminum handle
ergonomically designed for comfort

Regulators

Standard: 6.8 bar (100 psi)

Options available:

3.4 bar (50 psi)

5.2 bar (75 psi)

8.5 bar (125 psi)



Model shown: AirFlow 1 HP Combi 310 ml

FEATURES

- Epoxy coated aluminum handle
- Variable speed regulator
- 6.8 bar (100 psi) regulator
- Anodized aluminum barrel
- Piston driven rod action

BENEFITS

- Ergonomically designed for comfort
- For precise control, smooth material flow
- Fitted as standard – others are available
- For long life dispensing
- Greater control of material flow

APPLICATIONS



Bonding



Sealing

PRODUCT BY RANGE



AirFlow 1
Cartridge

AirFlow 1
Sachet

AirFlow 1
Combi

AirFlow 1
Bulk

AirFlow 1
HP Combi

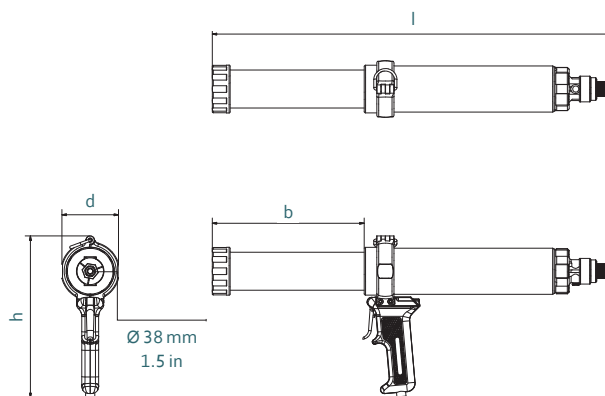
THE AIRFLOW 1 HP COMBI 1-COMPONENT PNEUMATIC DISPENSERS PISTON DRIVEN ROD ACTION GIVES YOU GREATER CONTROL OF MATERIAL FLOW WITH A 6.8 BAR (100 PSI) REGULATOR FITTED AS STANDARD.

SPECIFICATIONS

- Weight: 1.95–2.46 kg / 4.2–5.4 lbs
- Barrel Length: 216–362 mm / 8.5–14.3 in
- Maximum Thrust: 2.2 kN
- Maximum Pneumatic Pressure: 6.8 bar (100 psi)
- Handle Material: Epoxy Coated Aluminum
- Barrel Material: Anodized Aluminum
- Cartridge Capacity: 310 mL (10.5 oz), 400 mL (13.5 oz)
- Sachet Capacity: 310 mL (10.5 oz), 400 mL (13.5 oz), 600 mL (20.3 oz)
- Standard Color: Black/Red
- Nozzle Dimension: Ø 38 mm / 1.5 in
- Customized versions on demand

DIMENSIONS (MM/IN)

product	height (h)	length (l)	depth (d)	barrel (b)
HP Combi 310	230/9.1	570/22.4	80/3.1	216/8.5
HP Combi 400	230/9.1	642/25.3	80/3.1	251/9.9
HP Combi 600	230/9.1	861/33.9	80/3.1	362/14.3



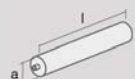
Product	Article number	Packaging
DP1C 310-cm-220-101	178092 (61004-HP for US)	1 per Box
DP1C 400-cm-220-101	178096	1 per Box
DP1C 600-cm-220-101	178098	1 per Box

MATCHING MIXPAC™ CARTRIDGES

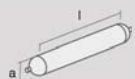


Peeler Cartridge

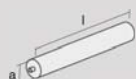
COMPATIBLE CARTRIDGES AND SACHETS



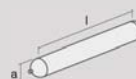
Plastic Cartridge
310 mL HPDE/PP/PA



Sachet
310 mL



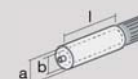
Plastic Cartridge
400 mL HPDE/PA



Sachet
400 mL



Sachet
600 mL



Plastic Cartridge
150 mL 1:1, 2:1, 10:1 PP

	mm	inch	mm	inch	mm	inch	mm	inch	mm	inch	mm	inch	
l	216.0	8.5	220.0	8.66	256.0	10.1	258.0	10.16	335.0	13.2	117	4.6	
a	Ø 48.2	Ø 1.8	Ø 50.0	Ø 1.97	Ø 49.0	Ø 1.9	Ø 50.0	Ø 1.97	Ø 50.0	Ø 2.0	Ø 50.0	Ø 1.9	
											1:1 b	Ø 32.0	Ø 1.2
											2:1 b	Ø 26.0	Ø 1.0
											10:1 b	Ø 14.3	Ø 0.5

CONVERSION KITS

Peeler Front Cap

MATCHING ACCESSORIES

Nozzles on pages 98–102.

AIRFLOW™ 2 CARTRIDGE

310/400 ML CARTRIDGE DISPENSER



Model shown: AirFlow 2 Cartridge 310 mL

FEATURES

- Glass filled nylon handle
- Variable speed regulator
- Anodized aluminum barrel
- 6.8 bar (100 psi) regulator
- Direct acting mechanism
- Swivel hose

BENEFITS

- Ergonomically designed for comfort
- For precise control, smooth material flow
- Lightweight and long life
- Fitted as standard – others are available
- Air pressure applied direct to plunger
- For easy connection

APPLICATIONS



PRODUCT BY RANGE



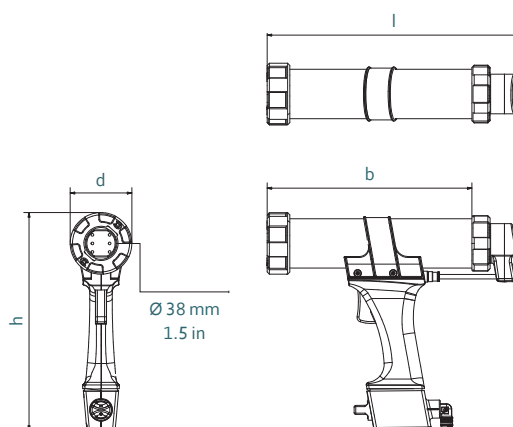
THE AIRFLOW 2 CARTRIDGE 1-COMPONENT PNEUMATIC DISPENSER COMES WITH A GLASS FILLED NYLON HANDLE FOR ADDED COMFORT. THE VARIABLE SPEED REGULATOR MINIMIZES FLOW-ON GIVING YOU SMOOTH MATERIAL FLOW FOR ALL YOUR APPLICATIONS.

SPECIFICATIONS

- Weight: 0.73–0.81 kg / 1.6–1.7 lbs
- Frame Length: 228–267 mm / 9.0–10.5 in
- Maximum Thrust: 1.2 kN
- Maximum Pneumatic Pressure: 6.8 bar (100 psi)
- Handle Material: Glass Filled Nylon
- Barrel Material: Anodized Aluminum
- Cartridge Capacity: 310 mL (10.5 oz), 400 mL (13.5 oz)
- Standard Color: Black/Grey
- Nozzle Dimension: Ø 38 mm / 1.5 in
- Customized versions on demand

DIMENSIONS (MM/IN)

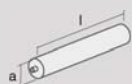
product	height (h)	length (l)	depth (d)	barrel (b)
Cartridge 310	242 / 9.5	282 / 11.1	69 / 2.7	228 / 9.0
Cartridge 400	242 / 9.5	322 / 12.7	69 / 2.7	267 / 10.5



Product	Article number	Packaging
DP1C 310-ca-120-201	178170 (61001 for US)	10 per Box (1 per Box for US)
DP1C 400-ca-130-201	178172	10 per Box

MATCHING MIXPAC™ CARTRIDGES

COMPATIBLE CARTRIDGES



Plastic Cartridge
310 mL HPDE/PP/PA

	mm	inch
l	216.0	8.5
a	Ø 48.2	Ø 1.8



Plastic Cartridge**
400 mL HPDE/PA

	mm	inch
l	256.0	10.1
a	Ø 49.0	Ø 1.9

**400 mL version is not compatible with 310 mL cartridges
Cardboard cartridges should not be used with the AirFlow 2 Cartridge.

CONVERSION KITS

MATCHING ACCESSORIES

Nozzles on pages 98–102.

AIRFLOW™ 2 SACHET

310–600 ML SACHET DISPENSER



Model shown: AirFlow 2 Sachet 400 mL

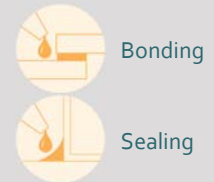
FEATURES

- Glass filled nylon handle
- Floating plunger with tethered piston system
- Integrated handle
- 6.8 bar (100 psi) regulator
- Quick exhaust valve

BENEFITS

- Ergonomically designed for comfort
- Minimizes flow-on
- Quick adjustment of pressure regulator
- Fitted as standard – others are available
- Minimizes waste of material

APPLICATIONS



PRODUCT BY RANGE



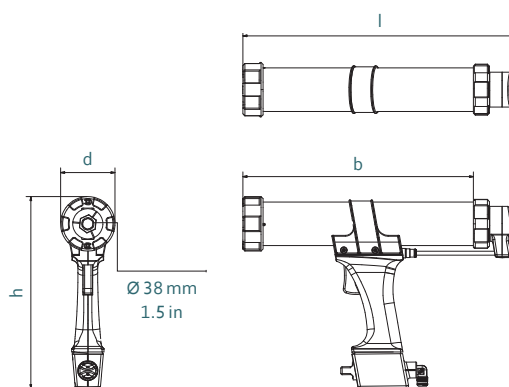
THE AIRFLOW 2 SACHET 1-COMPONENT PNEUMATIC DISPENSER HAS A 6.8 BAR (100 PSI) REGULATOR FITTED AS STANDARD WITH A VARIABLE SPEED REGULATOR WHICH MINIMIZES FLOW-ON, GIVING YOU PRECISE CONTROL FOR ALL YOUR APPLICATIONS.

SPECIFICATIONS

- Weight: 0.95–1.12 kg / 2.1–2.5 lbs
- Frame Length: 290–437 mm / 11.4–17.2 in
- Maximum Thrust: 1.45 kN
- Maximum Pneumatic Pressure: 6.8 bar (100 psi)
- Handle Material: Glass Filled Nylon
- Barrel Material: Anodized Aluminum
- Sachet Capacity: 310 mL (10.5 oz), 400 mL (13.5 oz), 600 mL (20.3 oz)
- Standard Color: Black/Grey
- Nozzle Dimension: Ø 38 mm / 1.5 in
- Customized versions on demand

DIMENSIONS (MM/IN)

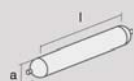
product	height (h)	length (l)	depth (d)	barrel (b)
Sachet 310	242 / 9.5	345 / 13.6	69 / 2.7	290 / 11.4
Sachet 400	242 / 9.5	386 / 15.2	69 / 2.7	332 / 13.1
Sachet 600	242 / 9.5	492 / 19.4	69 / 2.7	437 / 17.1



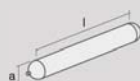
Product	Article number	Packaging
DP1C 310-sa-145-201	178183 (61006-10 for US)	10 per Box (1 per Box for US)
DP1C 400-sa-145-201	178186 (61006-400 for US)	10 per Box (1 per Box for US)
DP1C 600-sa-145-201	178189 (61006-20 for US)	10 per Box (1 per Box for US)

MATCHING MIXPAC™ CARTRIDGES

COMPATIBLE SACHETS



Sachet
310 mL



Sachet
400 mL



Sachet
600 mL

	mm	inch
l	220.0	8.66
a	Ø 50.0	Ø 1.97

	mm	inch
l	258.0	10.16
a	Ø 50.0	Ø 1.97

	mm	inch
l	335.0	13.2
a	Ø 50.0	Ø 2.0

CONVERSION KITS

MATCHING ACCESSORIES

Nozzles on pages 98–102.

AIRFLOW™ 2 COMBI

310–600 ML CARTRIDGE & SACHET DISPENSER



Model shown: AirFlow 2 Combi 310 mL

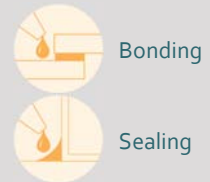
FEATURES

- Glass filled nylon handle
- Integrated handle
- 6.8 bar (100 psi) regulator
- Quick exhaust valve
- Rod driven plunger

BENEFITS

- Ergonomically designed for comfort
- Quick adjustment of pressure regulator
- Fitted as standard – others are available
- Minimizes flow-on
- For precise control and smooth material flow

APPLICATIONS



PRODUCT BY RANGE



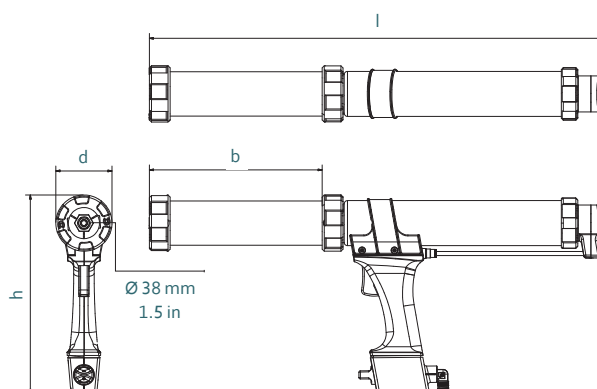
THE AIRFLOW 2 COMBI 1-COMPONENT PNEUMATIC DISPENSER COMES WITH A GLASS FILLED NYLON HANDLE FOR ADDED COMFORT AND QUICK EXHAUST VALVE MINIMIZING MATERIAL WASTE.

SPECIFICATIONS

- Weight: 1.3–1.64 kg / 2.8–3.6 lbs
- Frame Length: 211–357 mm / 8.3–14.1 in
- Maximum Thrust: 1.45 kN
- Maximum Pneumatic Pressure: 6.8 bar (100 psi)
- Handle Material: Glass Filled Nylon
- Barrel Material: Anodized Aluminum
- Cartridge Capacity: 310 mL (10.5 oz), 400 mL (13.5 oz)
- Sachet Capacity: 310 mL (10.5 oz), 400 mL (13.5 oz), 600 mL (20.3 oz)
- Standard Color: Black/Grey
- Nozzle Dimension: Ø 38 mm / 1.5 in
- Customized versions on demand

DIMENSIONS (MM/IN)

product	height (h)	length (l)	depth (d)	barrel (b)
Combi 310	242 / 9.5	557 / 21.9	69 / 2.7	211 / 8.3
Combi 400	242 / 9.5	633 / 24.9	69 / 2.7	249 / 9.8
Combi 600	242 / 9.5	849 / 33.4	69 / 2.7	357 / 14.1



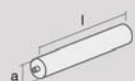
Product	Article number	Packaging
DP1C 310-cm-145-201	178234 (61004-LP for US)	10 per Box (1 per Box for US)
DP1C 400-cm-145-201	178240	10 per Box
DP1C 600-cm-145-201	178242	10 per Box

MATCHING MIXPAC™ CARTRIDGES

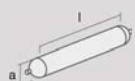


Peeler Cartridge

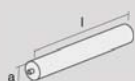
COMPATIBLE CARTRIDGES AND SACHETS



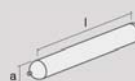
Plastic Cartridge
310 mL HPDE/PP/PA



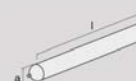
Sachet
310 mL



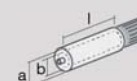
Plastic Cartridge
400 mL HPDE/PA



Sachet
400 mL



Sachet
600 mL



Plastic Cartridge
150 mL 1:1, 2:1, 10:1 PP

	mm	inch	mm	inch	mm	inch	mm	inch	mm	inch	mm	inch	
l	216.0	8.5	220.0	8.66	256.0	10.1	258.0	10.16	335.0	13.2	117	4.6	
a	Ø 48.2	Ø 1.8	Ø 50.0	Ø 1.97	Ø 49.0	Ø 1.9	Ø 50.0	Ø 1.97	Ø 50.0	Ø 2.0	Ø 50.0	Ø 1.9	
											1:1 b	Ø 32.0	Ø 1.2
											2:1 b	Ø 26.0	Ø 1.0
											10:1 b	Ø 14.3	Ø 0.5

CONVERSION KITS

Peeler Front Cap

MATCHING ACCESSORIES

On pages 98–102.

AIRFLOW™ 3 CARTRIDGE

310/400 ML CARTRIDGE DISPENSER



Anodized aluminum barrel
lightweight and long life

Glass reinforced nylon handle
ergonomically designed for comfort

Variable speed regulator
for precise control and smooth material flow

Regulators

Standard: 6.8 bar (100 psi)

Options available:

3.4 bar (50 psi)

5.2 bar (75 psi)

8.5 bar (125 psi)



Model shown: AirFlow 3 Cartridge 310 mL

FEATURES

- Glass reinforced nylon handle
- Variable speed regulator
- Anodized aluminum barrel
- 6.8 bar (100 psi) regulator
- Built-in silencer (less than 70 dB)
- Direct acting mechanism

BENEFITS

- Ergonomically designed for comfort
- For precise control, smooth material flow
- Lightweight and long life
- Fitted as standard – others are available
- Lowers noise level
- Air pressure applied direct to plunger

APPLICATIONS



Bonding



Sealing

PRODUCT BY RANGE



AirFlow 3
Cartridge

AirFlow 3
Quart Cartridge

AirFlow 3
Sachet

AirFlow 3
Compact Combi

AirFlow 3
Combi HP

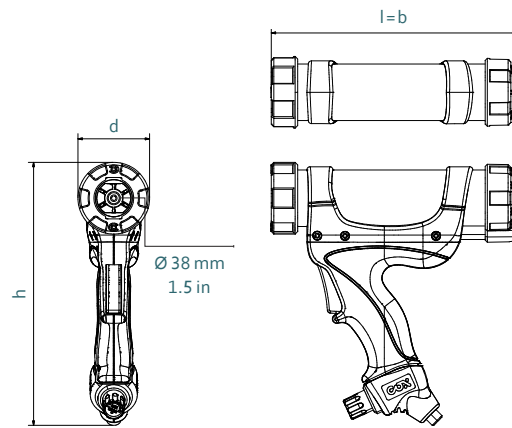
THE AIRFLOW 3 CARTRIDGE 1-COMPONENT PNEUMATIC DISPENSER IS DESIGNED FOR USE WITH LOW TO MEDIUM VISCOSITY SEALANTS AND ADHESIVES. IT COMES WITH A GLASS REINFORCED NYLON HANDLE AND BUILT-IN SILENCER – LESS THAN 70 DB.

SPECIFICATIONS

- Weight: 0.60–0.77 kg / 1.3–1.7 lbs
- Barrel Length: 235–271 mm / 9.2–10.7 in
- Maximum Thrust: 1.5 kN
- Maximum Pneumatic Pressure: 6.8 bar (100 psi)
- Handle Material: Glass Filled Nylon
- Barrel Material: Anodized Aluminum
- Cartridge Capacity: 310 mL (10.5 oz), 400 mL (13.5 oz)
- Standard Color: Black/Grey
- Nozzle Dimension: Ø 38 mm / 1.5 in
- Customized versions on demand

DIMENSIONS (MM/IN)

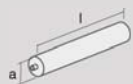
product	height (h)	length (l)	depth (d)	barrel (b)
Cartridge 310	251 / 9.9	235 / 9.2	69 / 2.7	235 / 9.2
Cartridge 400	251 / 9.9	271 / 10.7	69 / 2.7	271 / 10.7



Product	Article number	Packaging
DP1C 310-ca-150-301	181296 (63001 for US)	10 per Box
DP1C 400-ca -150-01	181300	10 per Box

MATCHING MIXPAC™ CARTRIDGES

COMPATIBLE CARTRIDGES



Plastic Cartridge
310 mL HPDE/PP/PA

	mm	inch
l	216.0	8.5
a	Ø 48.2	Ø 1.8



Plastic Cartridge**
400 mL HPDE/PA

	mm	inch
l	256.0	10.1
a	Ø 49.0	Ø 1.9

**400 mL version is not compatible with 310 mL cartridges
Cardboard cartridges should not be used with the AirFlow 3 Cartridge.

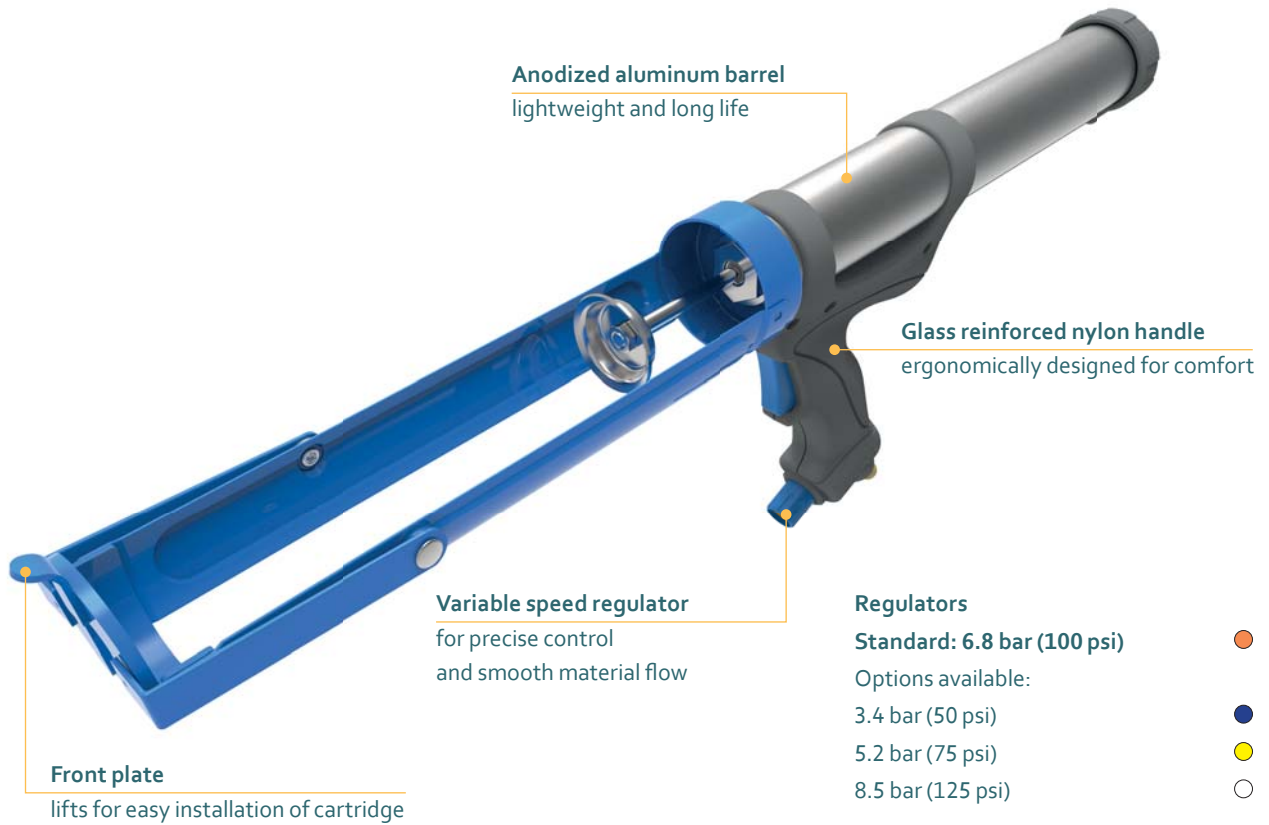
CONVERSION KITS

MATCHING ACCESSORIES

Nozzles on pages 98–102.

AIRFLOW™ 3 QUART

946 ML CARTRIDGE DISPENSER



Model shown: AirFlow 3 Quart Cartridge 946 mL

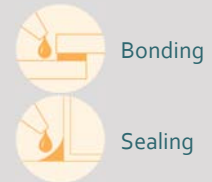
FEATURES

- Built-in silencer (less than 70 dB)
- Variable speed regulator
- Glass filled nylon handle
- 6.8 bar (100 psi) regulator
- Built-in air hose
- Piston driven rod action

BENEFITS

- Lowers the noise level
- For precise control, smooth material flow
- Ergonomically designed for comfort
- Fitted as standard – others are available
- For safety
- Greater control of material flow

APPLICATIONS



PRODUCT BY RANGE

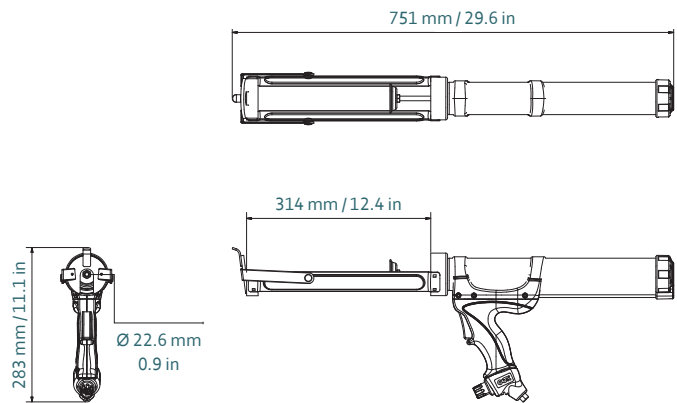


THE AIRFLOW 3 QUART CARTRIDGE 1-COMPONENT PNEUMATIC DISPENSER COMES WITH A BUILT-IN AIR HOSE AND SILENCER – LESS THAN 70 DB, WHILE THE PISTON DRIVEN ROD PLUNGER GIVES YOU PRECISE CONTROL AND SMOOTH MATERIAL FLOW.

SPECIFICATIONS

- Weight: 1.8 kg / 3.9 lbs
- Frame Length: 355 mm / 14 in
- Maximum Thrust: 1.5 kN
- Maximum Pneumatic Pressure: 6.8 bar (100 psi)
- Handle Material: Glass Filled Nylon
- Barrel Material: Anodized Aluminum
- Frame Material: Epoxy Coated Steel
- Cartridge Capacity: 946 mL (32 oz)
- Standard Color: Grey/Blue
- Customized versions on demand

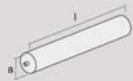
DIMENSIONS



Product	Article number	Packaging
Extended Quart Cartridge	63002-UP for US	1 per Box

MATCHING MIXPAC™ CARTRIDGES

COMPATIBLE CARTRIDGES



Plastic Cartridge-Quart
946 mL

	mm	inch
l	320	12.6
a	Ø 67.0	Ø 2.6

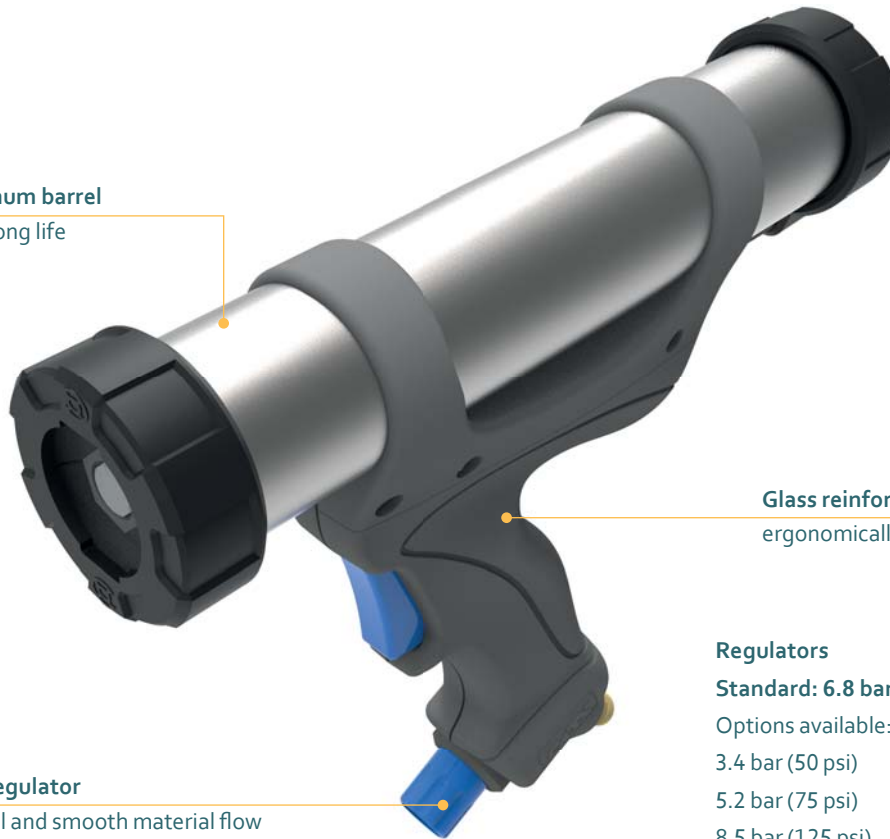
CONVERSION KITS

MATCHING ACCESSORIES

AIRFLOW™ 3 SACHET

310–600 ML SACHET DISPENSER

Anodized aluminum barrel
lightweight and long life



Glass reinforced nylon handle
ergonomically designed for comfort

Variable speed regulator
for precise control and smooth material flow

Regulators

Standard: 6.8 bar (100 psi)

Options available:

3.4 bar (50 psi)

5.2 bar (75 psi)

8.5 bar (125 psi)



Model shown: AirFlow 3 Sachet 310 mL

FEATURES

- Floating plunger system
- Built-in silencer (less than 70 dB)
- Variable speed regulator
- Glass reinforced nylon handle
- 6.8 bar (100 psi) regulator
- Built-in air hose

BENEFITS

- Minimizes waste of material
- Lowers the noise level
- For precise control, smooth material flow
- Ergonomically designed for comfort
- Fitted as standard – others are available
- For safety

APPLICATIONS



Bonding



Sealing

PRODUCT BY RANGE



AirFlow 3
Cartridge

AirFlow 3
Quart Cartridge

AirFlow 3
Sachet

AirFlow 3
Compact Combi

AirFlow 3
Combi HP

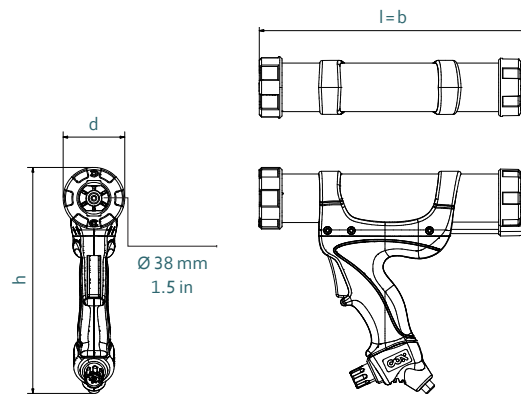
THE AIRFLOW 3 SACHET 1-COMPONENT PNEUMATIC DISPENSER DESIGNED FOR USE WITH LOW TO MEDIUM VISCOSITY SEALANTS AND ADHESIVES. A BUILT-IN SILENCER – LESS THAN 70DB AND FLOATING PLUNGER SYSTEM HELPS MINIMIZE MATERIAL WASTE.

SPECIFICATIONS

- Weight: 0.78–0.82 kg / 1.7–1.8 lbs
- Barrel Length: 297–436 mm / 11.7–17.2 in
- Maximum Thrust: 1.5 kN
- Maximum Pneumatic Pressure: 6.8 bar (100 psi)
- Handle Material: Glass Filled Nylon
- Barrel Material: Anodized Aluminum
- Sachet Capacity: 310 mL (10.5 oz), 400 mL (13.5 oz), 600 mL (20.3 oz)
- Standard Colour: Black/Grey
- Nozzle Dimension: Ø 38 mm / 1.5 in
- Customized versions on demand

DIMENSIONS (MM/IN)

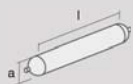
product	height (h)	length (l)	depth (d)	barrel (b)
Cartridge 310	251 / 9.9	297 / 11.7	69 / 2.7	297 / 11.7
Cartridge 400	251 / 9.9	329 / 12.9	69 / 2.7	329 / 12.9
Cartridge 600	251 / 9.9	436 / 17.2	69 / 2.7	436 / 17.2



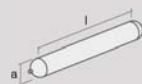
Product	Article number	Packaging
DP1C 310-sa-150-301	181259 (63006-300 for US)	10 per Box
DP1C 400-sa-150-301	181263 (63006-400 for US)	10 per Box
DP1C 600-sa-150-301	181272 (63006-600 for US)	10 per Box

MATCHING MIXPAC™ CARTRIDGES

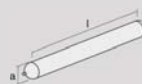
COMPATIBLE CARTRIDGES



Sachet
310 mL



Sachet
400 mL



Sachet
600 mL

	mm	inch
l	220.0	8.66
a	Ø 50.5	Ø 1.97

	mm	inch
l	258.0	10.16
a	Ø 50.0	Ø 1.97

	mm	inch
l	335.0	13.2
a	Ø 50.0	Ø 2.0

CONVERSION KITS

MATCHING ACCESSORIES

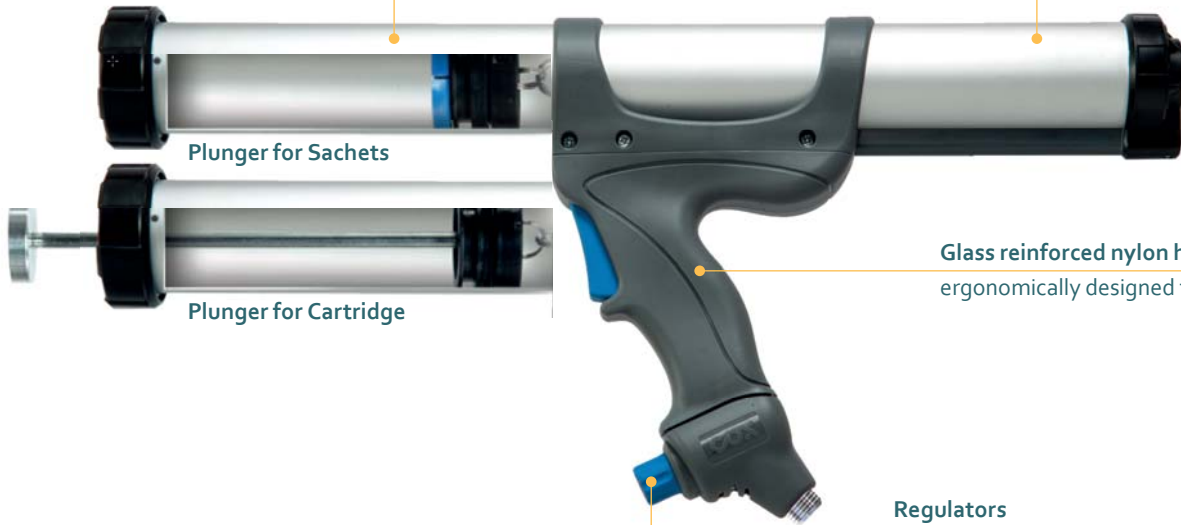
Nozzles on pages 98–102.

AIRFLOW™ 3 COMPACT COMBI

310–600 ML CARTRIDGE & SACHET DISPENSER

Interchangeable plunger system
dispenses cartridges and sachets

Anodized aluminum barrel
lightweight and long life



Plunger for Sachets

Plunger for Cartridge

Glass reinforced nylon handle
ergonomically designed for comfort

Variable speed regulator
for precise control
and smooth material flow

Regulators

Standard: 6.8 bar (100 psi)

Options available:

3.4 bar (50 psi)

5.2 bar (75 psi)

8.5 bar (125 psi)



Model shown: AirFlow 3 Compact Combi 600 mL

FEATURES

- Floating plunger system
- Built-in silencer (less than 70 dB)
- Variable speed regulator
- Glass reinforced nylon handle
- 6.8 bar (100 psi) regulator
- Built-in air hose

BENEFITS

- Minimizes waste of material
- Lowers the noise level
- For precise control, smooth material flow
- Ergonomically designed for comfort
- Fitted as standard – others are available
- For safety

APPLICATIONS



Bonding



Sealing

PRODUCT BY RANGE



AirFlow 3
Cartridge

AirFlow 3
Quart Cartridge

AirFlow 3
Sachet

AirFlow 3
Compact Combi

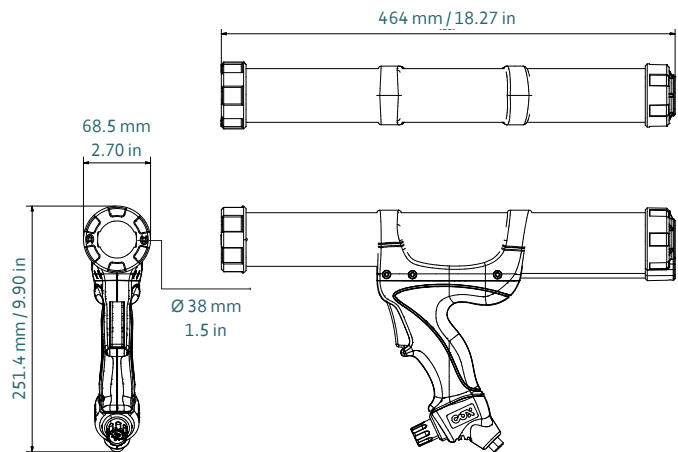
AirFlow 3
Combi HP

THE AIRFLOW 3 COMPACT COMBI 1-COMPONENT PNEUMATIC DISPENSERS INTERCHANGEABLE PLUNGER SYSTEMS OFFERS GREAT FLEXIBILITY, WITH 6.8 BAR (100 PSI) REGULATOR IS FITTED AS STANDARD.

SPECIFICATIONS

- Weight: 0.99 kg / 2.2 lbs
- Barrel Length: 464 mm / 18.27 in
- Maximum Thrust: 1.5 kN
- Maximum Pneumatic Pressure: 6.8 bar (100 psi)
- Handle Material: Glass Filled Nylon
- Barrel Material: Anodized Aluminum
- Cartridge Capacity: 310 mL (10.5 oz)
- Sachet Capacity: 310 mL (10.5 oz), 600 mL (20.3 oz)
- Standard Color: Black/Grey
- Nozzle Dimension: Ø 38 mm / 1.5 in
- Customized versions on demand

DIMENSIONS



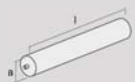
Product	Article number	Packaging
DP1C 600-cm-150-301	181326 (63003 for US)	10 per Box (1 per Box for US)

MATCHING MIXPAC™ CARTRIDGES



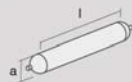
Peeler Cartridge

COMPATIBLE CARTRIDGES



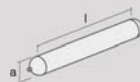
Plastic Cartridge
310 mL HPDE/PP/PA

	mm	inch
l	216.0	8.5
a	Ø 48.2	Ø 1.8



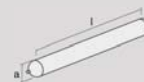
Sachet
310 mL

	mm	inch
l	220.0	8.66
a	Ø 50.0	Ø 1.97



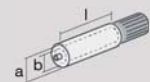
Sachet
400 mL

	mm	inch
l	258.0	10.16
a	Ø 50.0	Ø 1.97



Sachet
600 mL

	mm	inch
l	335.0	13.2
a	Ø 50.0	Ø 2.0



Plastic Cartridge
150 mL 1:1, 2:1, 10:1 PP

	mm	inch
l	117	4.6
a	Ø 50.0	Ø 1.9
1:1 b	Ø 32.0	Ø 1.2
2:1 b	Ø 26.0	Ø 1.0
10:1 b	Ø 14.3	Ø 0.5

CONVERSION KITS

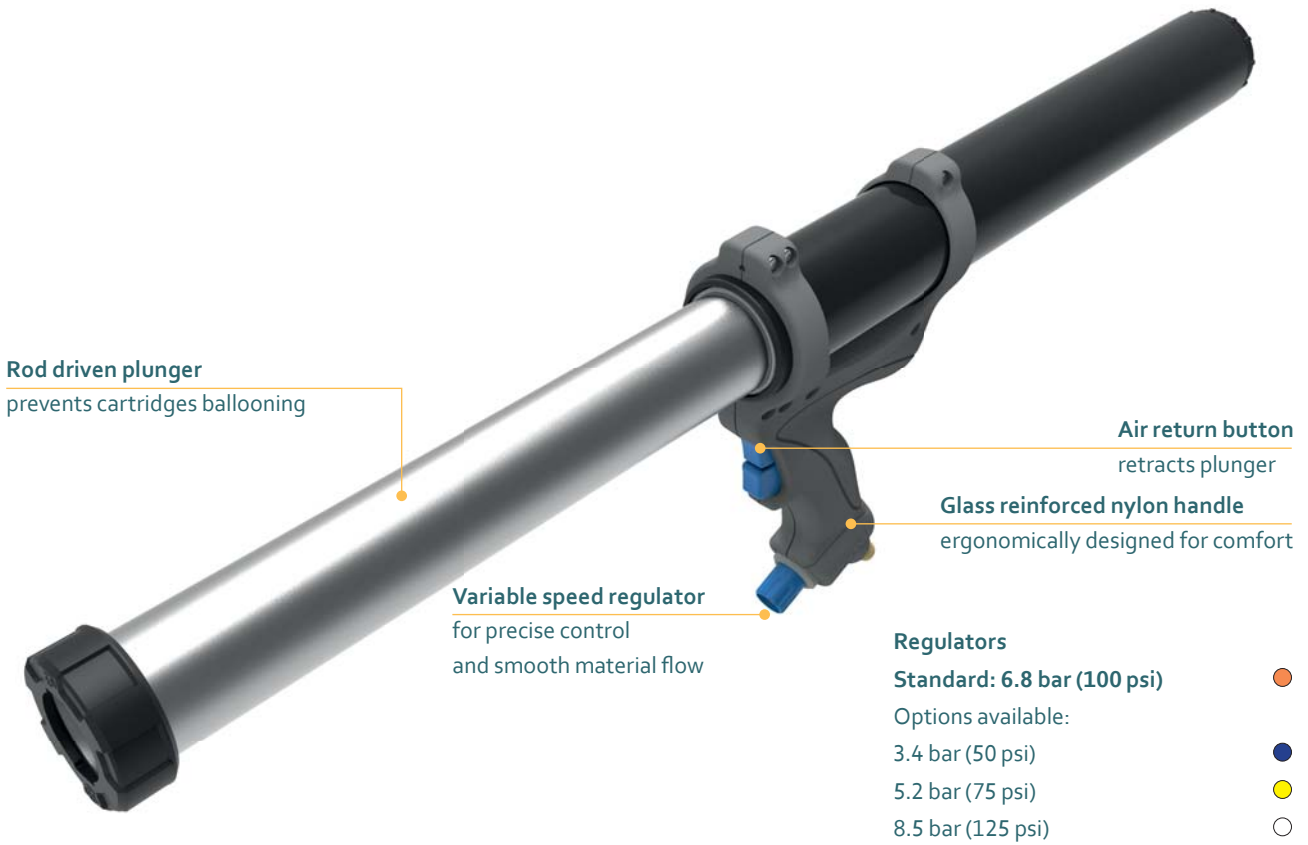
Peeler Front Cap

MATCHING ACCESSORIES

Nozzles and Sachet/Cartridge Plunger on pages 98–102.

AIRFLOW™ 3 HP COMBI

310–600 ML CARTRIDGE & SACHET DISPENSER



Model shown: AirFlow 3 HP Combi 600 mL

FEATURES

- Variable speed regulator
- Built-in silencer (less than 70 dB)
- Rod driven plunger
- Fitted as standard with a 6.8 bar (100 psi) regulator

BENEFITS

- For precise control, smooth material flow
- Lowers the noise level
- Prevents cartridges ballooning
- Others are available

APPLICATIONS



PRODUCT BY RANGE



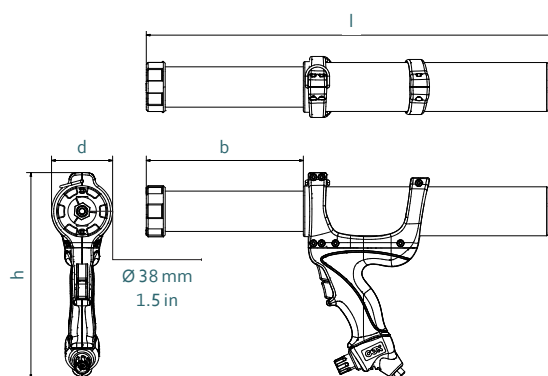
THE AIRFLOW 3 HP COMBI 1-COMPONENT PNEUMATIC DISPENSER DESIGNED FOR USE WITH LOW TO HIGH VISCOSITY SEALANTS AND ADHESIVES. THE VARIABLE SPEED REGULATOR AND PISTON DRIVEN ROD PLUNGER GIVES YOU PRECISE CONTROL.

SPECIFICATIONS

- Weight: 1.73–1.83 kg / 3.8–4.0 lbs
- Barrel Length: 210–347 mm / 8.3–13.6 in
- Maximum Thrust: 2.5 kN
- Maximum Pneumatic Pressure: 6.8 bar (100 psi)
- Handle Material: Glass Filled Nylon
- Barrel Material: Anodized Aluminum
- Cartridge Capacity: 310 mL (10.5 oz), 400 mL (13.5 oz)
- Sachet Capacity: 310 mL (10.5 oz), 400 mL (13.5 oz), 600 mL (20.3 oz)
- Standard Color: Black/Grey
- Nozzle Dimension: Ø 38 mm / 1.5 in
- Customized versions on demand

DIMENSIONS (MM/IN)

product	height (h)	length (l)	depth (d)	barrel (b)
Combi HP 310	276 / 10.9	549 / 21.6	82 / 3.2	210 / 8.3
Combi HP 400	276 / 10.9	625 / 24.6	82 / 3.2	248 / 9.8
Combi HP 600	276 / 10.9	831 / 32.7	82 / 3.2	347 / 13.6



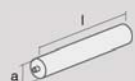
Product	Article number	Packaging
DP1C 310-cm-250-301	181328 (63004-300HP for US)	1 per Box
DP1C 400-cm-250-301	181330	1 per Box
DP1C 600-cm-250-301	181332 (63004-600HP for US)	1 per Box

MATCHING MIXPAC™ CARTRIDGES

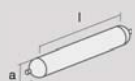


Peeler Cartridge

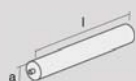
COMPATIBLE CARTRIDGES AND SACHETS



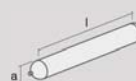
Plastic Cartridge
310 mL HPDE/PP/PA



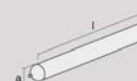
Sachet
310 mL



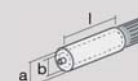
Plastic Cartridge
400 mL HPDE/PA



Sachet
400 mL



Sachet
600 mL



Plastic Cartridge
150 mL 1:1, 2:1, 10:1 PP

	mm	inch	mm	inch	mm	inch	mm	inch	mm	inch	mm	inch	
l	216.0	8.5	220.0	8.66	256.0	10.1	258.0	10.16	335.0	13.2	117	4.6	
a	Ø 48.2	Ø 1.8	Ø 50.0	Ø 1.97	Ø 49.0	Ø 1.9	Ø 50.0	Ø 1.97	Ø 50.0	Ø 2.0	Ø 50.0	Ø 1.9	
											1:1 b	Ø 32.0	Ø 1.2
											2:1 b	Ø 26.0	Ø 1.0
											10:1 b	Ø 14.3	Ø 0.5

CONVERSION KITS

Peeler Front Cap

MATCHING ACCESSORIES

Nozzles on pages 98–102.

JETFLOW™ 3 CARTRIDGE

310 ML CARTRIDGE DISPENSER



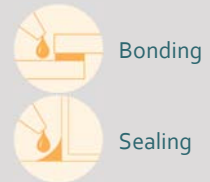
FEATURES

- Glass reinforced nylon handle
- Variable speed regulator
- Fitted as standard with a 6.8 bar (100 psi) regulator
- Front cap selector to change function
- Direct acting mechanism
- Built-in silencer (less than 70 dB)

BENEFITS

- Ergonomically designed for comfort
- For precise control, smooth material flow
- Other options available
- Easily adjust between bead and spray with just one twist
- Air pressure applied direct to plunger
- Lowers the noise level

APPLICATIONS



PRODUCT BY RANGE

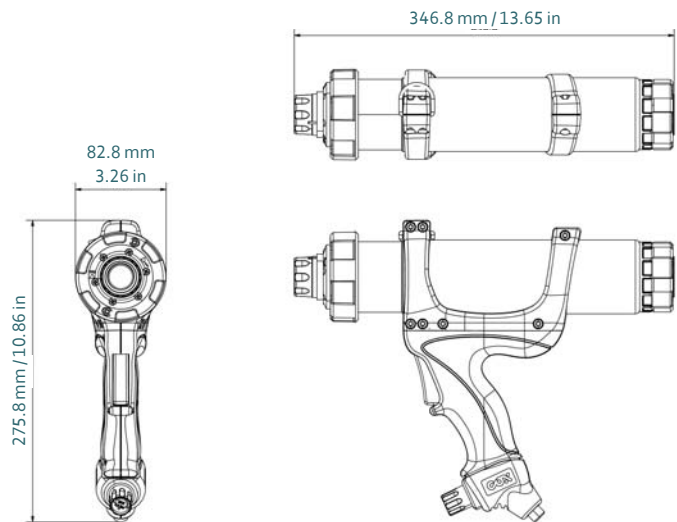


THE JETFLOW 3 CARTRIDGE 1-COMPONENT PNEUMATIC DISPENSERS INNOVATIVE FRONT CAP DESIGN ALLOWS FOR QUICK CHANGE BETWEEN BEAD AND SPRAY FUNCTIONS.

SPECIFICATIONS

- Weight: 1.22 kg / 2.7 lbs
- Barrel Length: 346.8 mm / 13.7 in
- Maximum Thrust: 1.45 kN
- Maximum Pneumatic Pressure: 6.8 bar (100 psi)
- Handle Material: Glass Filled Nylon
- Barrel Material: Anodized Aluminum
- Cartridge Capacity: 310 mL (10.5 oz)
- Standard Color: Black/Grey
- Customized versions on demand

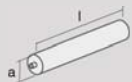
DIMENSIONS



Product	Article number	Packaging
DP1C 310-ca-145-901	159352 (63007-300C for US)	1 per Box

MATCHING MIXPAC™ CARTRIDGES

COMPATIBLE CARTRIDGES



Plastic Cartridge
310 mL HPDE/PP/PA

	mm	inch
l	216.0	8.5
a	Ø 48.2	Ø 1.8

CONVERSION KITS

–

MATCHING ACCESSORIES

Spray nozzles – 3 variants on pages 98–102.

JETFLOW™ 3 SACHET

310–600 ML SACHET DISPENSER



Aluminum barrel
lightweight and long life

Innovative front cap design
allows for quick change between
bead and spray functions

Variable speed regulator
for precise control
and smooth material flow

Glass reinforced nylon handle
ergonomically designed for comfort

Regulators

Standard: 6.8 bar (100 psi)

Options available:

3.4 bar (50 psi)

5.2 bar (75 psi)

8.5 bar (125 psi)



Model shown: JetFlow 3 Sachet 600 mL

FEATURES

- Glass reinforced nylon handle
- Variable speed regulator
- Fitted as standard with a 6.8 bar (100 psi) regulator
- Front cap selector to change function
- Floating plunger mechanism
- Built-in silencer (less than 70 dB)

BENEFITS

- Ergonomically designed for comfort
- For precise control, smooth material flow
- Other options available
- Easily adjust between bead and spray with just one twist
- Minimizes waste of material
- Lowers the noise level

APPLICATIONS

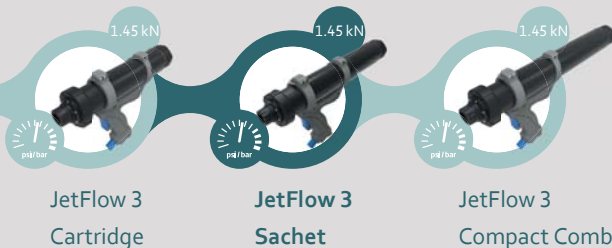


Bonding



Sealing

PRODUCT BY RANGE



JetFlow 3
Cartridge

JetFlow 3
Sachet

JetFlow 3
Compact Combi

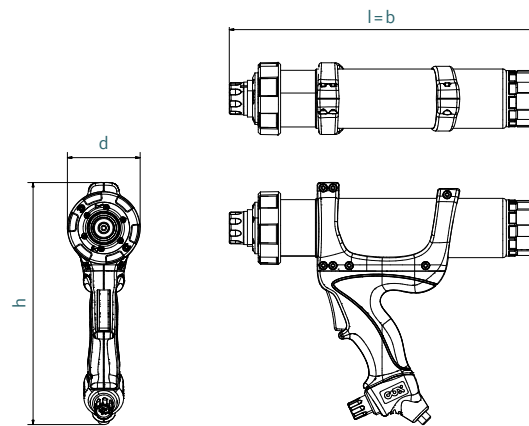
THE JETFLOW 3 SACHET 1-COMPONENT PNEUMATIC DISPENSER DESIGNED FOR USE WITH LOW TO MEDIUM VISCOSITY SEALANTS AND ADHESIVES, WITH BUILT-IN SILENCER – LESS THAN 70 DB.

SPECIFICATIONS

- Weight: 1.24–1.47 kg / 2.7–3.2 lbs
- Barrel Length: 347–445 mm / 13.7–17.5 in
- Maximum Thrust: 1.45 kN
- Maximum Pneumatic Pressure: 6.8 bar (100 psi)
- Handle Material: Glass Filled Nylon
- Barrel Material: Anodized Aluminum
- Sachet Capacity: 310 mL (10.5 oz), 400 mL (13.5 oz), 600 mL (20.3 oz)
- Standard Color: Black/Grey
- Customized versions on demand

DIMENSIONS (MM/IN)

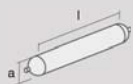
product	height (h)	length (l)	depth (d)	barrel (b)
Sachet 310	276 / 10.6	347 / 13.7	83 / 3.3	347 / 13.7
Sachet 600	276 / 10.6	445 / 17.5	83 / 3.3	445 / 17.5



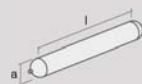
Product	Article number	Packaging
DP1C 310-sa-145-901	181341 (63007-300S for US)	1 per Box
DP1C 600-sa-145-901	159355 (63007-600S for US)	1 per Box

MATCHING MIXPAC™ CARTRIDGES

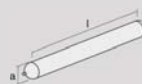
COMPATIBLE CARTRIDGES



Sachet
310 mL



Sachet
400 mL



Sachet
600 mL

	mm	inch
l	220.0	8.66
a	Ø 50.5	Ø 1.97

	mm	inch
l	258.0	10.16
a	Ø 50.0	Ø 1.97

	mm	inch
l	335.0	13.2
a	Ø 50.0	Ø 2.0

CONVERSION KITS

MATCHING ACCESSORIES

Spray nozzles – 3 variants on pages 98–102.

JETFLOW™ 3 COMPACT COMBI

310–600 ML CARTRIDGE & SACHET DISPENSER



FEATURES

- Glass reinforced nylon handle
- Variable speed regulator
- Fitted as standard with a 6.8 bar (100 psi) regulator
- Front cap selector to change function
- Floating plunger mechanism
- Built-in silencer (less than 70 dB)

BENEFITS

- Ergonomically designed for comfort
- For precise control, smooth material flow
- Other options available
- Easily adjust between bead and spray with just one twist
- Minimizes waste of material
- Lowers the noise level

APPLICATIONS



PRODUCT BY RANGE

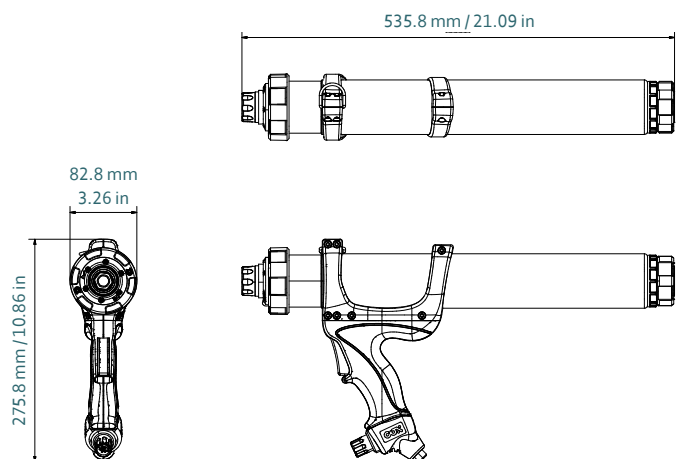


THE JETFLOW 3 COMPACT COMBI 1-COMPONENT PNEUMATIC DISPENSER WITH INNOVATIVE FRONT CAP DESIGN ALLOWS FOR QUICK CHANGE BETWEEN BEAD AND SPRAY FUNCTIONS.

SPECIFICATIONS

- Weight: 1.76 kg / 3.9 lbs
- Barrel Length: 535.8 mm / 21 in
- Maximum Thrust: 1.45 kN
- Maximum Pneumatic Pressure: 6.8 bar (100 psi)
- Handle Material: Glass Filled Nylon
- Barrel Material: Anodized Aluminum
- Cartridge Capacity: 310 mL (10.5 oz), 400 mL (13.5 oz)
- Sachet Capacity: 310 mL (10.5 oz), 400 mL (13.5 oz), 600 mL (20.3 oz)
- Standard Color: Black/Grey
- Customized versions on demand

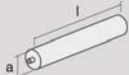
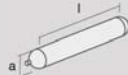
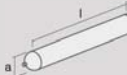
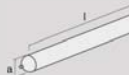
DIMENSIONS



Product	Article number	Packaging
DP1C 600-cm-145-901	181345	1 per Box

MATCHING MIXPAC™ CARTRIDGES

COMPATIBLE CARTRIDGES AND SACHETS

	mm	inch		mm	inch		mm	inch		mm	inch
	Plastic Cartridge 310 mL HPDE/PP/PA			Sachet 310 mL			Sachet 400 mL			Sachet 600 mL	
l	216.0	8.5	l	220.0	8.66	l	258.0	10.16	l	335.0	13.2
a	Ø 48.2	Ø 1.8	a	Ø 50.5	Ø 1.97	a	Ø 50.0	Ø 1.97	a	Ø 50.0	Ø 2.0

CONVERSION KITS

MATCHING ACCESSORIES

Spray nozzles – 3 variants on pages 98–102.

ULTRAPOINT™ AIR BULK

800 ML BULK DISPENSER



FEATURES

- Easily replaceable barrel and washer
- Choice of nozzles for pointing and grouting
- 6.8 bar (100 psi) regulator
- Return air feature

BENEFITS

- Greater efficiency neater, cleaner with less waste
- Mortar mixing paddle and two nozzles supplied
- Fitted as standard – others are available
- Plunger rods are automatically ready reloading

APPLICATIONS



Gap Filling

PRODUCT BY RANGE



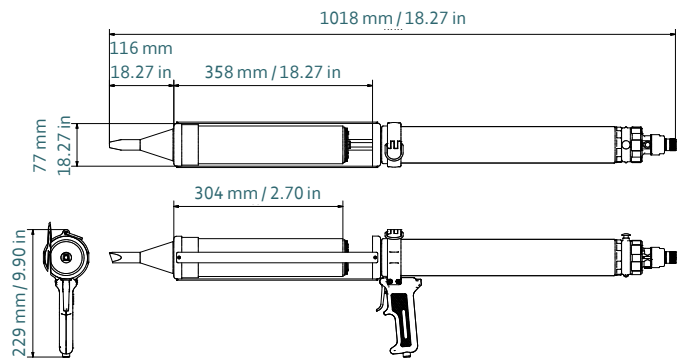
Ultrapoint Air

THE ULTRAPoint BULK 1-COMPONENT PNEUMATIC DISPENSER COMES WITH A CHOICE OF NOZZLES FOR POINTING AND GROUTING FOR SPECIALIST MASONRY REPAIR AND HIGH VOLUME DISPENSING.

SPECIFICATIONS

- Weight: 0.99 kg / 2.2 lbs
- Frame Length: 358 mm / 18.27 in
- Maximum Thrust: 1.45 kN
- Maximum Pneumatic Pressure: 6.8 bar (100 psi)
- Handle Material: Aluminum
- Frame Material: Epoxy Coated Steel
- Barrel Material: Anodized Aluminum
- Bulk Material Feed: 800 mL (35.2 oz)
- Standard Color: Black/Blue
- Customized versions on demand

DIMENSIONS



Product	Article number	Packaging
DP1C 800-bu-145-101	161843	1 per Box

MATCHING MIXPAC™ CARTRIDGES

COMPATIBLE OTHER



CONVERSION KITS

MATCHING ACCESSORIES

Grouting/pointing nozzle, dispenser tube on pages 98-102.







COX™ DISPENSER ACCESSORIES

MAKE THE MOST OF YOUR DISPENSER WITH THE FOLLOWING RANGE OF COX ACCESSORIES.

	Name/Description	Part Number	Compatible with
Nozzles			
	Twisty Nozzle Rotates 360° and is suitable for all dispensers manual, pneumatic and battery. Fits onto a standard cartridge thread and can be used in combination with the nozzle extension (sold separately).	165791 (pack 10)	All COX dispensers except: Ultrapoint
	Nozzle Extension For those particularly tight and hard to reach spaces. Fits onto a standard cartridge thread and can be used in combination with the twisty nozzle (sold separately).	165792 (pack 10)	All COX dispensers except: Ultrapoint
	Orange Nozzle Plastic clip-on nozzle that can be cut to size to produce a 3 mm to 13 mm bead, has no graduation markings, and is fitted directly under the front cap.	159118	All COX Ø 50 mm barrel sachet, bulk and combi dispensers
	Yellow Cone Nozzle Plastic clip-on sachet/bulk nozzle that can be cut to size to produce a 3–13 mm bead, has no graduation markings and is fitted directly under the front cap.	159115	All COX Ø 50 mm barrel sachet, bulk and combi dispensers
	White Cone Nozzle Plastic clip-on sachet nozzle that can be cut to size to produce a 3–13 mm bead and has no graduation markings. For use with all sachet and combi dispensers and is fitted directly under the front cap.	159116	All COX sachet, bulk and combi dispensers
	Grey Grouting Nozzle Replacement plastic grouting nozzle.	159119	Ultrapoint
	Black Pointing Nozzle Replacement plastic grouting nozzle.	159117	Ultrapoint
	Black Injection Nozzle Plastic threaded nozzle has a barbed stem and accepts 1/4" ID plastic tube. Typically used for crack injection applications and has no graduation markings. Plastic nozzle holder and 'O' ring required (7N2007 – sold separately).	159114	All COX sachet, bulk and combi dispensers
	6 mm / 1/4" White Nozzle Plastic threaded nozzle that produces a 6 mm bead and has no graduation markings. Plastic nozzle holder and 'O' ring required (7N2007 – sold separately).	159111	All COX sachet, bulk and combi dispensers
	Grey Cut-o Nozzle Plastic threaded nozzle can be cut to size to produce a 3–13 mm bead and has no graduation markings. Plastic nozzle holder and 'O' ring required (7N2007 – sold separately).	159110	All COX sachet, bulk and combi dispensers
	9 mm / 3/8" Blue Nozzle Plastic threaded nozzle produces a 9 mm bead and has no graduation markings. Plastic nozzle holder and 'O' ring required (7N2007 – sold separately).	159112	PowerFlow
	13 mm / 1/2" Red Nozzle Plastic threaded nozzle produces a 13 mm bead and has no graduation markings. Plastic nozzle holder and 'O' ring required (7N2007 – sold separately).	159113	All COX sachet, bulk and combi dispensers







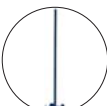

COX™ DISPENSER ACCESSORIES

MAKE THE MOST OF YOUR DISPENSER WITH THE FOLLOWING RANGE OF COX ACCESSORIES.

	Name/Description	Part Number	Compatible with
	JetFlow 3 Nozzle Set: Cartridge Includes 5 x Inner plastic cartridge, 5 x inner aluminum cartridge & 5 x outer cartridge spray nozzles	176047	JetFlow 3 Cartridge JetFlow 3 Combi
	JetFlow 3 Nozzle Set: Sachet Includes 5 x Inner & 5 x outer sachet spray nozzles	176048	JetFlow 3 Sachet JetFlow 3 Combi
	Inner Plastic Cartridge Fine Spray Nozzle (use with low viscosity sprayable sealant)	158332	JetFlow 3
Plungers			
	Steel «Tin Hat» Plunger 40 mm	158601	All manual 1-component cartridge dispensers except EasiFlow
	Split Sachet Plunger The three slits ensure more flexibility in the barrel	171202	All COX Ø 50 mm barrel sachet, bulk and combi dispensers
	Sachet Plunger Extension / Domed Plunger Eliminates waste	171187	All COX Ø 50 mm barrel sachet, bulk and combi dispensers
	Green Plastic 'G2' Plunger For bulk material, best used in pairs to create better seal (sold separately)	158349	All COX manual Ø 50 mm barrel sachet, bulk and combi dispensers
	Leather Plunger Assembly For sachets and bulk application without nozzle holder; chemical and solvent resistant.	159072	All COX Ø 50 mm barrel sachet, bulk and combi dispensers
	Floating Sachet Plunger Drive	158820	AirFlow Compact Combi
	Floating Cartridge Plunger Drive	176947	AirFlow Compact Combi










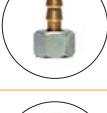

COX™ DISPENSER ACCESSORIES

MAKE THE MOST OF YOUR DISPENSER WITH THE FOLLOWING RANGE OF COX ACCESSORIES.

	Name/Description	Part Number	Compatible with
General accessories			
	Bayonet Cap Metal cap complete with nozzle holder and leather seal, accommodates COX threaded nozzles	158935	UltraFlow Bulk
	Pointing & Grouting Dispenser Tube Replacement plastic tube	158178	Ultrapoint
	Plastic Two Start Cap Spare black plastic front cap. To use with clip-on nozzles for sachet and bulk. Screw-in nozzles can be used in conjunction with a nozzle holder and 'O' ring (7N2007 – sold separately).	158187	Most Ø 50 mm barrelled dispensers with two start thread
	COX Ladder Hook Kit Black plastic ladder hook (incl. fixing) that allows you to hang the dispenser onto a ladder or the tool belt.	176510	PowerFlow UltraFlow Ultrapoint
	Nozzle Adaptor (BSP to knuckle thread) Black plastic nozzle adaptor to be used in conjunction with a nozzle holder for sachet dispensing. Standard shop bought (cartridge) nozzles fit onto the front thread.	166673	All COX cartridge dispensers
	MK1 Nozzle Holder & Viton 'O' Ring Black plastic nozzle holder with rubber 'O' Ring to be used in conjunction with threaded COX nozzles for sachet use. Fits into the black plastic front cap.	161994	All COX sachet dispensers
	Turbine Mixer Epoxy coated steel mixer provides fast and efficient mixing, as material spins across horizontal plate and is propelled through battlements where it is dispersed.	159129	Ultrapoint
	Peeler Front Cap For use with Mixpeel 280mL 1:1 cartridges with off set nozzle	172330	PowerFlow Combi; PowerFlow Combi HP; UltraFlow Combi; EasiPower Combi; ElectraFlow Combi; AirFlow 1 Combi; AirFlow 1 Combi HP; AirFlow 2 Combi; AirFlow 3 Compact Combi; AirFlow 3 Combi HP








COX™ DISPENSER ACCESSORIES

MAKE THE MOST OF YOUR DISPENSER WITH THE FOLLOWING RANGE OF COX ACCESSORIES.

Name/Description	Part Number	Compatible with
Battery dispenser accessories		
 <p>Complete Spreader Head Assembly Spreader head with Ø 50 mm (2") cap and nozzle, disposable spreader tube included</p>	<p>176945 (190 mm) 176948 (300 mm) 176952 (400 mm)</p>	<p>All standard Ø 50 mm barrelled battery and pneumatic dispensers</p>
 <p>Complete Spreader Head Assembly Spreader head with Ø 63 mm (2.5") cap and nozzle, disposable spreader tube included</p>	<p>176984 (190 mm) 176985 (300 mm)</p>	<p>ElectraFlow Plus FloorFix 1800 mL</p>
 <p>Spreader Head 190 mm 300 mm 400 mm</p>	<p>Bracket/Tube 158739/158827 158740/158828 158741/158829</p>	<p>ElectraFlow Plus FloorFix</p>
 <p>Universal Battery Charger 10.8 V</p>	<p>175931 83002-L (US)</p>	<p>EasiPower Plus</p>
 <p>Lithium-ion Battery 10.8 V</p>	<p>163080 83001-L (US)</p>	<p>EasiPower Plus</p>
 <p>Battery Charger Battery charger for 2.0 Ah batteries</p>	<p>163517 (EU) 165577 (UK) 165572 (US)</p>	<p>ElectraFlow Plus</p>
 <p>Lithium-ion Battery Lithium-ion battery, 18 V 2.0 Ah options available</p>	<p>175925 2.0 Ah 163515 2.0 Ah (US)</p>	<p>ElectraFlow Plus</p>
 <p>Charger Cable UK, US and EU plug options available</p>	<p>170283 (UK) 158193 (US) 158194 (EU)</p>	<p>EasiPower Plus</p>
 <p>Standard Nut and Tail Airline/Hose Connector option</p>	<p>158849</p>	<p>JetFlow AirFlow</p>
 <p>European Quick Release Airline/Hose Connector option</p>	<p>160431</p>	<p>JetFlow AirFlow</p>
 <p>American Quick Release Airline/Hose Connector option</p>	<p>158850</p>	<p>JetFlow AirFlow</p>

COX™ DISPENSER ACCESSORIES

MAKE THE MOST OF YOUR DISPENSER WITH THE FOLLOWING RANGE OF COX ACCESSORIES.

Name/Description	Part Number	Compatible with
Other products		
 <p>SoloClamp 100 (4") A unique single handed operation product with 1.7 kN clamping force, available in 100 mm and the choice of acetal or metal jaws. Blue color (grey for US).</p>	<p>Metal: 177960 Acetal: 177959</p>	<p>–</p>
 <p>SoloClamp 150 (6") A unique single handed operation product with 1.7 kN clamping force, available in 150 mm and the choice of acetal or metal jaws. Blue color (grey for US).</p>	<p>Metal: 177966 Acetal: 177965</p>	<p>–</p>
 <p>2 Gallon Follower Plate (2" Opening) For use with bulk loading dispensers. Works with straight and tapered pails. Pull rod included.</p>	<p>159150</p>	<p>All bulk dispensers</p>
 <p>5 Gallon Follower Plate (2" Opening) For use with bulk loading dispensers. Works with straight and tapered pails. Pull rod included.</p>	<p>159151</p>	<p>All bulk dispensers</p>
 <p>Follower Plate (152 mm / 6.9 in)</p>	<p>175948</p>	<p>All bulk dispensers (UK only)</p>
 <p>Aluminum Pull Handle</p>	<p>7H1001 (US only)</p>	<p>All COX dispensers with Interchangeable T-Rod</p>
 <p>Support Handle</p>	<p>159100</p>	<p>All 2" barrel dispensers</p>

COX™ DISPENSER

WARRANTY STATEMENT

medmix offers a (2) year manufacturing warranty effective at the date of invoice.

medmix will repair or replace any product which examination proves to be a manufacture defect.

With the exception of: COX™ EasiFlow™ and MidiFlow™ dispenser ranges which have a warranty for one (1) year from the date of invoice.

LIMITATIONS:

This warranty does not cover:

1. Repairs made or attempted by other than medmix UK Ltd. or Authorized Service Centre
2. Normal wear and tear
3. Misuse
4. Improper maintenance
5. Continued use after partial failure
6. Tools that have been modified or used with improper accessories

Should a problem develop while still under warranty, return the complete product to medmix UK Ltd. freight prepaid and insured. If inspection shows the problem has been caused by a defect in manufacture, all repairs, or a replacement will be made, at no charge and the product will be returned, transportation prepaid. No other warranty, written or verbal, is authorized.

The repair and replacement remedies described herein are exclusive. In no event shall medmix UK Ltd. be liable for any incidental, special, or consequential damages, including loss of profits, loss of use or loss of production.

This warranty is in lieu of all other warranties, expressed or implied including without limitation the implied warranties of merchantability and fitness for a particular purpose, which are expressly disclaimed.

DELIVERING INNOVATION. INSPIRING CONFIDENCE.

EUROPE

medmix Switzerland AG

Ruetistrasse 7
9469 Haag, Switzerland
Phone +41 81 414 70 00
sales.industry@medmix.com
www.medmix.swiss

**USA, SOUTH AMERICA,
CANADA AND MEXICO**

medmix USA Inc.

8 Willow St.
Salem, NH 03079, USA
Phone +1 603 893 2727
sales.industry@medmix.com
www.medmix.swiss

UK AND IRELAND

medmix UK Ltd.

1 Tealgate, Charnham Park, Hungerford
Berkshire, RG17 0YT, United Kingdom
Phone: +44 (0)1488 647 800
sales.industry@medmix.com
www.coxdispensers.com

ASIA PACIFIC

medmix China Ltd.

68 Bei Dou Lu, Minhang Shanghai
200245, China
Phone: +86 21 6430 68 68
sales.industry@medmix.com
www.medmix.swiss



Legal Notice: This brochure is a general presentation. The information contained in this publication is believed to be accurate and reliable but is not to be construed as implying any warranty or guarantee of performance. We waive any liability and indemnity for effects resulting from its application. Please, contact us for a description of the warranties and guarantees offered with our products. Directions for use and safety will be given separately. All information herein is subject to change without notice.

© 2022 medmix Switzerland AG All rights reserved.

medmix is a trademark belonging to medmix AG, and COX is a trademark belonging to medmix Switzerland AG.